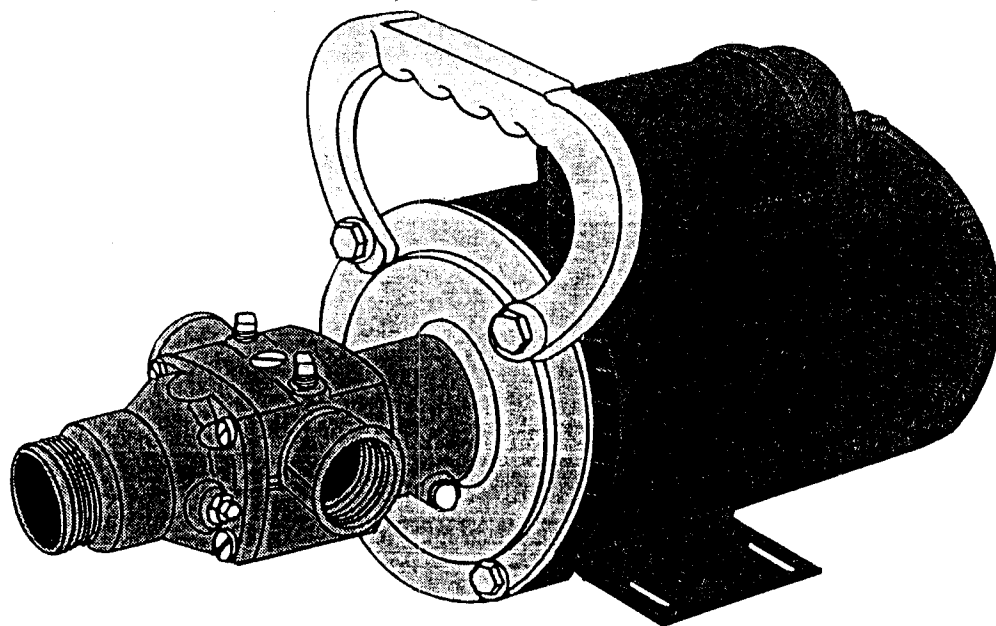


® FPUR600 Series

® Rubber Impeller Pumps



Operator's Manual
M1334/0192

FPURI600 Series Rubber Impeller Pumps

TABLE OF CONTENTS

Section 1 General Instructions

General Instructions _____	1
General Description _____	2
Drive Arrangement _____	2
Liquids and Temperature _____	2
Suction Lift _____	3
Performance Tables _____	3

Section 2 Dimensions

FPURI601, 603, 607, 608, 604, 605 _____	4
FPURI609, 610, 611, 612 _____	5

Section 3 Parts List

FPURI601, 603, 607, 608, 604, 605 _____	6
FPURI609, 610 _____	7
FPURI611, 612 _____	8

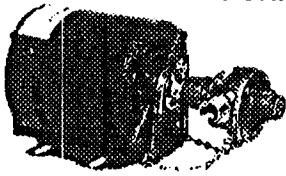
NOTE: ALL "FPURI600" PART NUMBERS SHOULD NOW READ "FPUR600".

FPURI600 Series Rubber Impeller Pumps

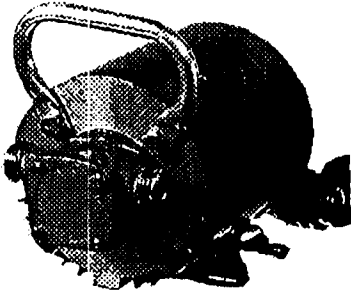
SECTION 1

GENERAL INSTRUCTIONS

FPURI601
FPURI602
FPURI603
FPURI607
FPURI608



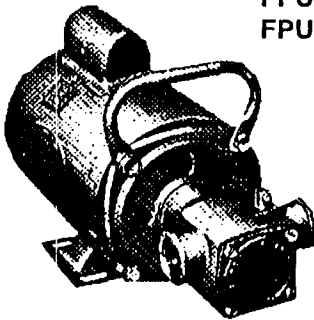
FPURI604
FPURI605
FPURI606



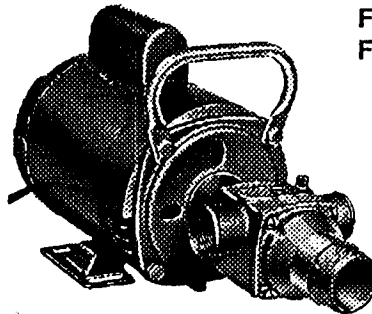
Pump No. (includes motor)	Motor Volts	Port Size		RPM	GPM at 2 PSI	Max. PSI
		in	out			
FPURI601	115/230	1/2	1/2	1725	6.0	30
FPURI602						
FPURI603	Gas Eng.	1/2	1/2	3000	9.0	40
FPURI604	115	3/8	3/8	1725	6.5	26
FPURI605	115	3/8	3/8	3450	12.5	30
FPURI606						
FPURI607	115/230	1/2	1/2	1725	9.5	30
FPURI608	Gas Eng.	1/2	1/2	3000	14.0	40
FPURI609	115/230	1.0	1.0	1725	25.0	34
FPURI610	Gas Eng.	1.0	1.0	3000	35.0	40
FPURI611*	115/230	1½	1.0	1725	21.0	31
FPURI612*	Gas Eng.	1½	1.0	3000	30.0	35

*These pumps have Macerator for sewage

FPURI609
FPURI610



FPURI611
FPURI612



SECTION 1

FPURI600 Series Rubber Impeller Pumps

GENERAL INSTRUCTIONS

General Description

Close Coupled Rubber Impeller pumps are made of high quality bronze for maximum corrosion resistance.

The rubber impeller is either directly attached to the stainless steel motor shaft or the impeller is mounted on a separate stainless steel shaft which is counterbored on the outer end in order to slide over the carbon steel motor shaft.

Ball or sleeve bearings in the motor support the shaft.

Flexible blades on the periphery of the impeller provide the pumping action. While the impeller rotates, the liquid between the blades is continuously squeezed out into the discharge port by a cam located inside the pumping chamber.

The flow may be throttled or shut off for a short period without the need of a relief valve.

Drive Arrangement

Close Coupled Rubber Impeller pumps are mounted directly onto the electric motor without the use of a shaft coupling.

Some of the motors are specially designed for a particular pump, others are standard motors with Nema C flange. The latter ones use a bronze adapter plate to accommodate the pump.

Liquids and Temperature

Liquids handled by Rubber Impeller pumps with standard Neoprene impellers are primarily fresh or salt water and water solutions.

Rubber Impeller pumps are not suitable for pumping gasoline or solvents. Buna (Nitrile) impellers can handle oil contaminated water and kerosene at reduced impeller service life.

FPURI600 Series Rubber Impeller Pumps

SECTION 1

GENERAL INSTRUCTIONS

Suction Lift

On initial start-up Rubber Impeller pumps must be primed to prevent dry-running of the impeller. Suction lifts of 15 ft. are possible when pump is fully primed.

A foot valve with built-in strainer at the beginning of the suction line is recommended.

Suction lines should be as short as possible.

Performance Tables

Pump No. FPURI601								
Ft. Hd.	0	10	20	30	40	50	60	70
PSI	1.0	4.3	8.7	13.0	17.3	21.6	26.0	30.0
GPM	6.0	5.5	5.0	4.2	3.5	2.8	2.0	1.0

Pump No. FPURI604							
Ft. Hd.	0	10	20	30	40	50	60
PSI	0	4.3	8.7	13.0	17.3	21.7	26.0
GPM	6.5	6.25	6.0	5.5	4.75	4.0	2.75

Pump No. FPURI607								
Ft. Hd.	0	10	20	30	40	50	60	70
PSI	0	4.3	8.7	13.0	17.3	21.6	26.0	30.0
GPM	9.5	9.0	8.0	7.5	6.3	5.5	4.2	3.5

Pump No. FPURI609						
Ft. Hd.	0	20	40	60	80	100
PSI	0	8.7	17.3	26.0	34.6	42.8
GPM	25.0	24.0	22.0	17.0	11.0	7.0

Pump No. FPURI603									
Ft. Hd.	0	10	20	30	40	50	60	70	80
PSI	0	4.3	8.7	13.0	17.3	21.6	26.0	30.0	35.0
GPM	9.0	8.5	8.0	7.5	7.0	6.5	6.0	5.0	4.0

Pump No. FPURI605								
Ft. Hd.	0	10	20	30	40	50	60	70
PSI	0	4.3	8.7	13.0	17.3	21.7	26.0	30.0
GPM	12.5	12.2	11.5	11.0	10.0	9.0	8.0	6.5

Pump No. FPURI608									
Ft. Hd.	0	10	20	30	40	50	60	70	80
PSI	0	4.3	8.7	13.0	17.3	21.6	26.0	30.0	35.0
GPM	15	14	13.5	12.5	11.5	11	10	9.0	7.5

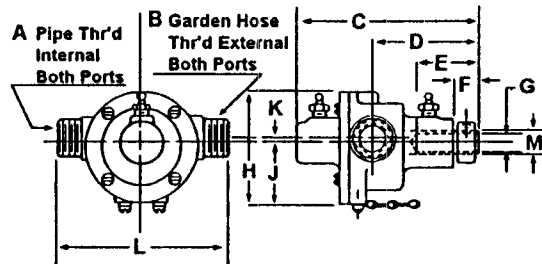
Pump No. FPURI611						
Ft. Hd.	0	20	40	60	80	100
PSI	0	8.7	17.3	26.0	34.6	42.8
GPM	25.0	23.0	18.0	12.0	5.8	---

SECTION 2

FPURI600 Series Rubber Impeller Pumps

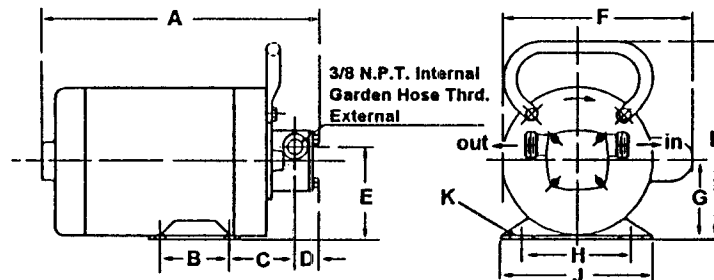
DIMENSIONS

FPURI601, 603
FPURI607, 608



Pump No.	A	B	C	D	E	F	G	H	J	K	L	M
FPURI601, 603	.5	.75	4.25	2.25	1.63	.63	.500	3.0	1.6	.22	4.5	.625
FPURI607, 608	.5	.75	4.75	2.25	1.63	.63	.500	3.0	1.6	.22	4.5	.625

FPURI604, 605



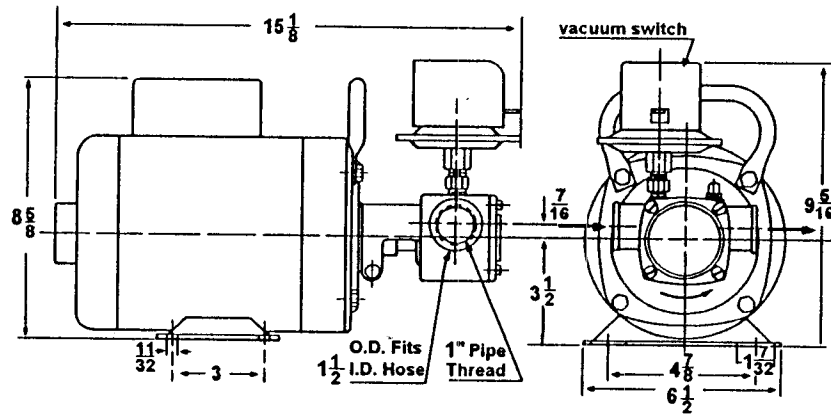
Pump No.	A	B	C	D	E	F	G	H	J	K	L	M
FPURI604	.5	.75	4.25	2.25	1.63	.63	.500	3.0	1.6	.22	4.5	.625
FPURI605	.5	.75	4.75	2.25	1.63	.63	.500	3.0	1.6	.22	4.5	.625

FPURI600 Series
Rubber Impeller Pumps

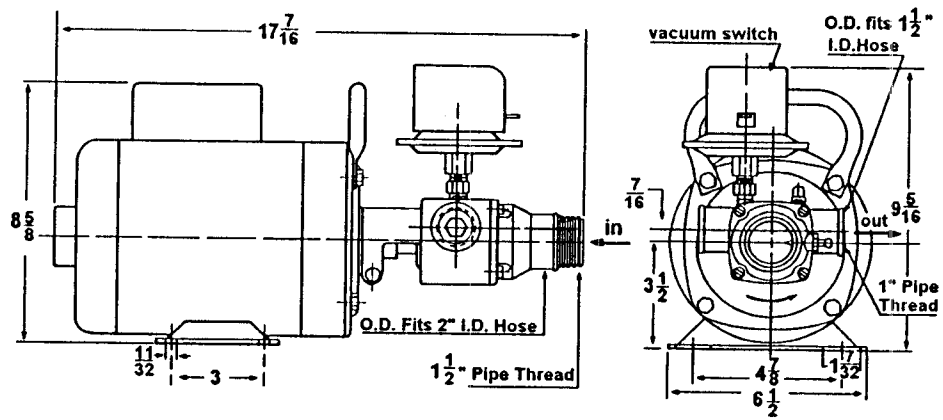
SECTION 2

DIMENSIONS

FPURI609, 610



FPURI611, 612

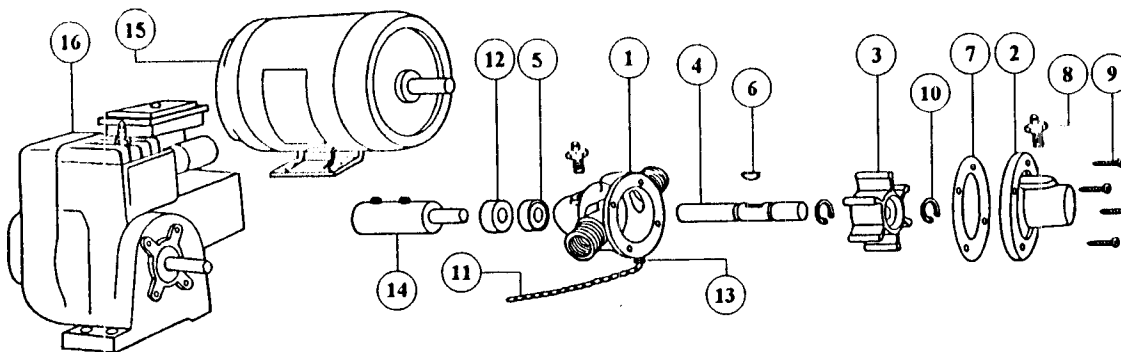


FPURI600 Series Rubber Impeller Pumps

SECTION 3

PARTS LIST

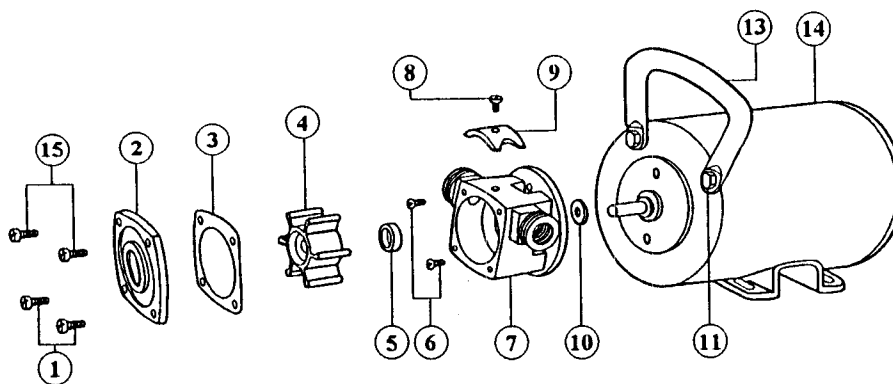
FPURI601, 603
FPURI607, 608



Pump No.	Item	1	2	3	4	5	6	7	8	9	10	11	12	13	14	15	16	17*	Repair Kit contains items 3,5, 7,10
	Name	Body	Cover	Impeller	Shaft	Lip Seal	Key	Gasket	Grease Fittg.	Cover Screw	Snap Ring	Torque Chain	Collar	Screw	Adapter	Electr. Motor	Gas Engine	Engine Kit	
	Req.	1	1	1	1	1	1	1	2	4	2	2	1	2	1	1	1	1	
FPURI601	6393	6365	6364	6400	5463	5008	5697	5390	5385	6498	5370	5298	5385	6674	7216	—	—	10674	
FPURI603	6393	6365	6364	6400	5463	5008	5697	5390	5385	6498	—	5298	—	6674	—	7230	10701	10674	
FPURI607	6361	6365	6363	6402	5463	5123	5697	5390	5385	6498	5370	5298	5385	6674	7216	—	—	10675	
FPURI608	6361	6365	6363	6402	5463	5123	5697	5390	5385	6498	—	5298	—	6674	—	7230	10701	10675	

*Item 17 Engine Kit Parts are not shown on illustration

FPURI604
FPURI605



Pump No.	Item	1	2	3	4	5	6	7	8	9	10	11	12*	13	14	15	Repair Kit contains items 3,4, 5
	Name	Screw	Cover	Gasket	Impeller	Lip Seal	Screw	Body	Cam Screw	Cam	Slinger	Screw	Cord	Handle	Motor	Screw	
	Req.	2	1	1	1	1	2	1	1	1	1	1	1	1	1	2	
FPURI604	5385	6638	7547	7482	6647	6653	6639	6652	6592	6757	5411	6761	7766	8278	6074	10933	
FPURI605	5385	6638	7547	6593	5007	6653	6758	6652	6592	6757	5411	6761	7766	7462	6074	10910	

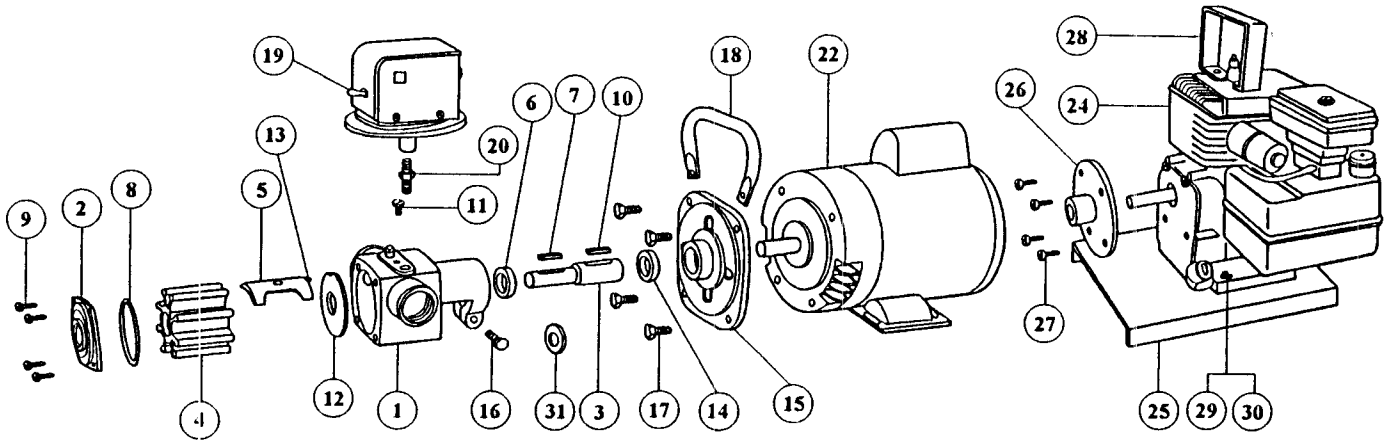
*Item 12 Cord not shown on illustration

FPURI600 Series Rubber Impeller Pumps

SECTION 3

PARTS LIST

FPURI609
FPURI610



Pump No.	Item	1	2	3	4	5	6	7	8	9	10	11	12	13	14	15	16	17	18
	Name	Body	Cover	Shaft Extens.	Impeller	Cam	Seal Assy.	Key	O-Ring	Screw	Key	Screw	Wear Plate	Pin	Collar	Adapter	Screw	Screw	Handle
	Req.	1	1	1	1	1	1	1	1	4	1	1	1	1	1	1	1	4	1
FPURI609		7040	6625	7041	6603	7049	32230	5475	6716	5504	6845	6643	6635	6685	5886	7459	5595	5411	6039
FPURI610		7040	6625	7041	6603	7049	32230	5475	6716	5504	6845	6643	6635	6685	5886	---	5595	---	---

Pump No.	Item	19	20	21*	22	23*	24	25	26	27	28	29	30	31	Repair Kit contains items 4,6,8	Vacuum Switch Kit (Elect. Mtr.) contains items 19,20,21	Vacuum Switch Kit (Gas Eng.) contains items 19,20
	Name	Vacuum Switch	Nipple	Short Cord	Motor	Long Cord	En-gine	Base	Adapter	Screw	Handle	Screw	Nut	Washer			
	Req.	1	1	1	1	1	1	1	1	4	1	1	1	1			
FPURI609		---	---	---	7048	7044	---	---	---	---	---	---	---	6631	10955	---	---
FPURI610		7290	7050	7047	---	---	7230	6742	7517	7610	6765	6743	5597	6631	10955	---	10979

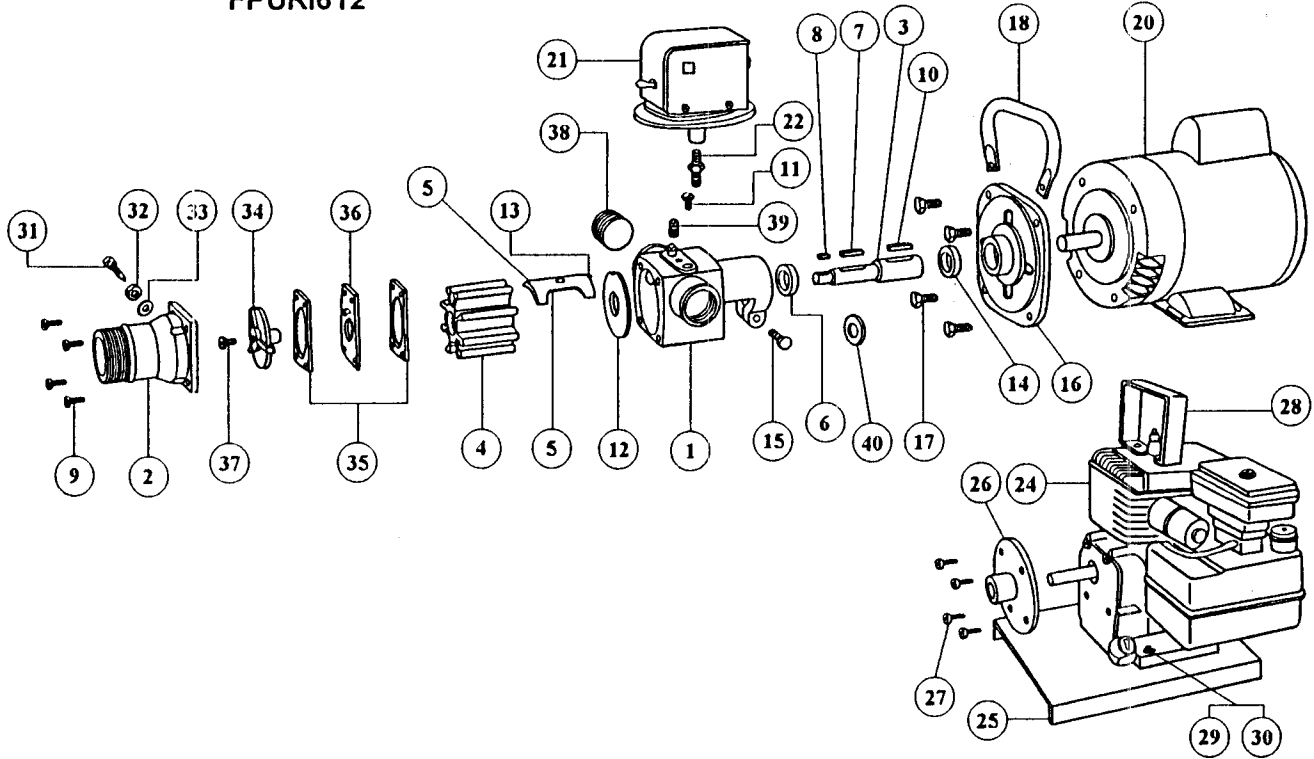
*Items 21 and 23 (Cords) are not shown on illustration

FPURI600 Series Rubber Impeller Pumps

SECTION 3

PARTS LIST

FPURI611
FPURI612



Pump No.	Item	1	2	3	4	5	6	7	8	9	10	11	12	13	14	15	16	17	18
	Name	Body	Cover	Shaft	Impeller	Cam	Seal Assy.	Key	Key	Screw	Key	Cam Screw	Wear Plate	Pin	Collar	Screw	Adapter	Screw	Handle
	Req.	1	1	1	1	1	1	1	1	1	4	1	1	1	1	1	1	4	1
FPURI611		7040	7100	7519	6603	7049	32230	5475	6947	8229	6845	6643	6635	6685	5886	5595	7459	5411	6039
FPURI612		7040	7100	7519	6603	7049	32230	5475	6947	8229	6845	6643	6635	6685	5886	5595	---	---	---

Pump No.	Item	19*	20	21	22	23*	24	25	26	27	28	29	30	31	32	33	34	35	36
	Name	Long Cord	Motor	Vacuum Switch	Nipple	Short Cord	Engine	Base	Adapter	Screw	Handle	Screw	Nut	Pick Screw	Jam Nut	Washer	Wheel	Gasket	Plate
	Req.	1	1	1	1	1	1	1	1	1	4	1	4	4	1	1	1	1	2
FPURI611		7044	7055	---	---	---	---	---	---	---	---	---	---	7258	7256	7255	7075	7188	7101
FPURI612		---	---	7290	7050	7047	7230	6742	7517	7610	6765	6743	5597	7258	7256	7255	7075	7188	7101

*Items 19 and 23 (Cords) are not shown on illustration

Pump No.	Item	37	38	39	40	Repair Kit contains items 4,6,8	Vacuum Switch Kit (Elect. Mtr.) contains items 21, 22, 23	Vacuum Switch Kit (Gas Eng.) contains items 21, 22
	Name	Screw	Plug	Plug	Washer			
	Req.	1	1	1	1			
FPURI611		7257	7189	7043	6631	10955	---	---
FPURI612		7257	7189	7043	6631	10955	---	10979

OMEGA® ... Your Source for Process Measurement and Control

TEMPERATURE

- Thermocouple, RTD & Thermistor Probes, Connectors, Panels & Assemblies
- Wire: Thermocouple, RTD & Thermistor
- Calibrators & Ice Point References
- Recorders, Controllers & Process Monitors
- Infrared Pyrometers

PRESSURE/STRAIN/FORCE

- Transducers & Strain Gauges
- Load Cells & Pressure Gauges
- Displacement Transducers
- Instrumentation & Accessories

FLOW/LEVEL

- Rotameters, Gas Mass Flowmeters & Flow Computers
- Air Velocity Indicators
- Turbine/Paddlewheel Systems
- Totalizers & Batch Controllers

pH/CONDUCTIVITY

- pH Electrodes, Testers & Accessories
- Benchtop/Laboratory Meters
- Controllers, Calibrators, Simulators & Pumps
- Industrial pH & Conductivity Equipment

DATA ACQUISITION

- Data Acquisition and Engineering Software
- Communications-Based Acquisition Systems
- Plug-in Cards for Apple, IBM & Compatibles
- Datalogging Systems
- Recorders, Printers & Plotters

HEATERS

- Heating Cable
- Cartridge & Strip Heaters
- Immersion & Band Heaters
- Flexible Heaters
- Laboratory Heaters