

OMEGALUX™ CBC Series Temperature Controllers

General Information

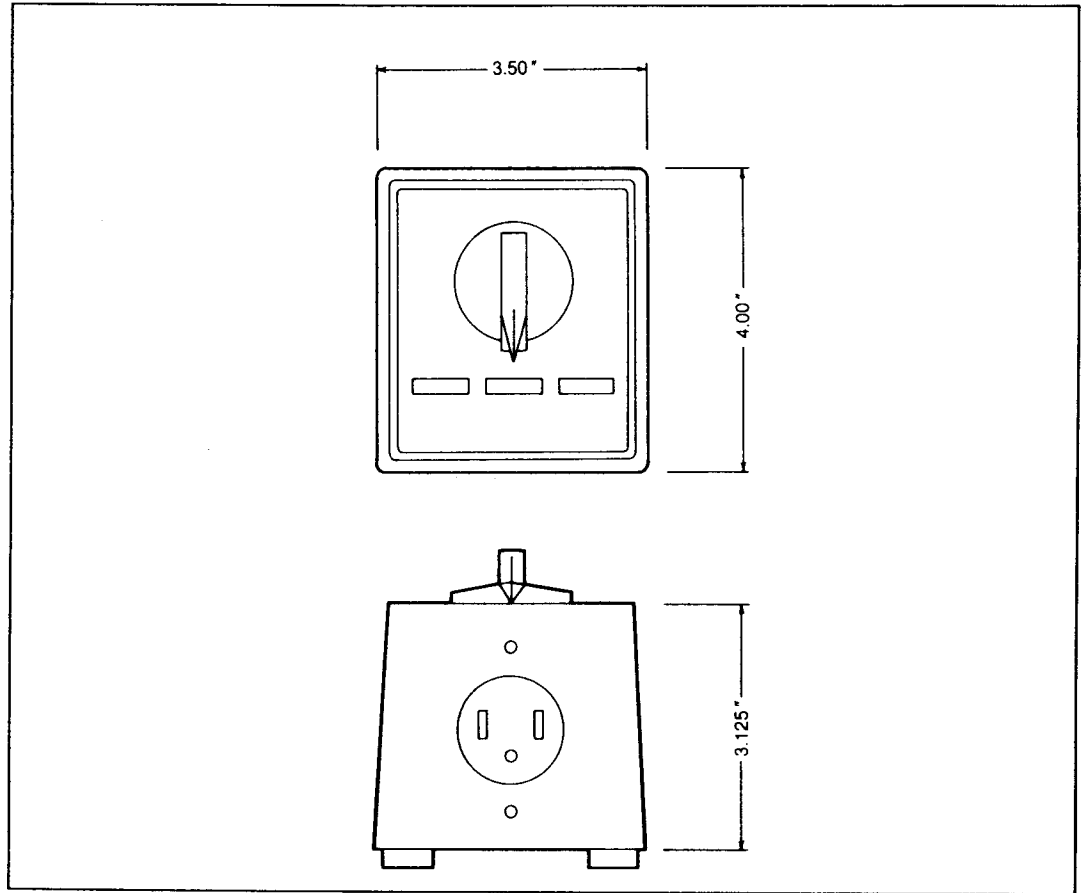
The OMEGALUX™ CBC Series controller utilizes a bulb and capillary type sensor to control a single pole, single throw switch. Once the temperature is set, it is automatically maintained by the controller. The control is housed in a rugged cast aluminum enclosure and has an easy to read dial. No wiring is required since the heater is plugged into the control unit.

Applications

The CBC Series controllers are designed for indoor use to control the temperature of small tanks, drums, pipes or other applications requiring automatic temperature control.

Features

- Rugged cast aluminum case
- Simple one-control adjustment
- Ready-to-use; no wiring necessary—just plug it in.
- Automatic control
- Low cost closed loop control
- Compact size
- 4 foot copper bulb and capillary



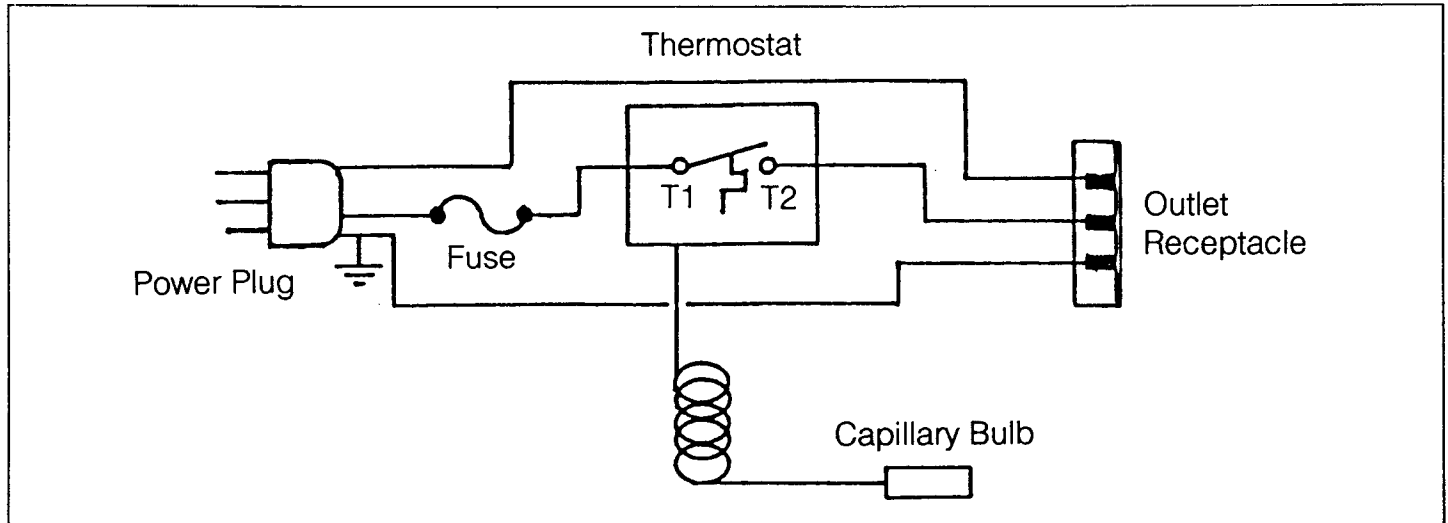
Specifications

Range:	60°F to 250°F or 150°F to 550°F
Enclosure:	Cast aluminum table model with rubber feet. For indoor use.
Switch:	SPST snap action switch with "OFF" position.
Adjustments:	The temperature setting may be changed to meet the requirements of the specific application.
Connection:	Plug heater into controller receptacle and plug power cord into appropriate power source.

Model Number	Range	Rating	Outlet
CBC991-250	60°F-250°F	15A/120V	
CBC991-550	150°F-550°F	15A/120V	
CBC992-250	60°F-250°F	15A/240V	
CBC992-550	150°F-550°F	15A/240V	

OMEGALUX™ Thermostat Controllers

Models CBC991-250 • CBC991-550 • CBC992-250 • CBC992-550



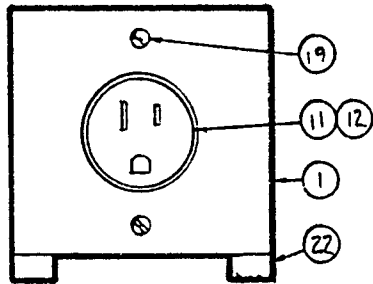
Plug heater into the controller and the controller into its power source. Place and secure the capillary bulb onto the object to be heated. Rotate controller knob from the "OFF" position to the desired temperature setting.

If the controller does not function, check the fuse. Unplug the unit from its power

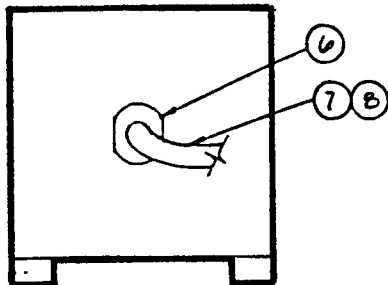
source. Remove the four sheet metal screws which secure the rubber feet and bottom plate to the casting. This will expose the internal wiring. Remove the fuse and check its continuity. If the fuse is defective, replace it with an ABC 15A fuse. (Fuses may be obtained from most electrical supply places.) Replace bottom plate and rubber feet.

Item	Description	Part Number	Quantity per model			
			991-250	991-550	992-250	992-550
1	TS casting	Aluminum housing casing	1	1	1	1
2	Thermostat controller	EAS-164-48	1	-	1	-
3	Thermostat controller	EAS-165-48	-	1	-	1
4	Name Plate	See drawing	1	1	1	1
5	Bottom Plate		1	1	1	1
6	Strain Relief Bushing	SR-6P-3-4	1	1	1	1
7	Plug Cord Set	4580 (240V)	-	-	1	1
8	Plug Cord Set	1846 (120V)	1	1	-	-
11	Receptacle	5581 (240V)	-	-	1	1
12	Receptacle	5580 (120V)	1	1	-	-
15	Fuse Block	4405	1	1	1	1
16	Fuse	ABC15	1	1	1	1
17	Knob (60°F-250°F) range	34620-74	1	-	1	-
18	Knob (150°F-550°F) range	34620-71	-	1	-	1
19	Screws for Receptacle	8-32 x 3/8 MS	2	2	2	2
20	Screws for Temperature Thermostat	6-32 x 1/4 MS	2	2	2	2
21	Screws for Fuse Block	6 x 14 sheet metal	1	1	1	1
22	Rubber Feet	715	4	4	4	4
23	Screws for Rubber Feet	6-32 x 3/8 Type F	4	4	4	4
25	Grommet for Capillary	1041-2M	1	1	1	1

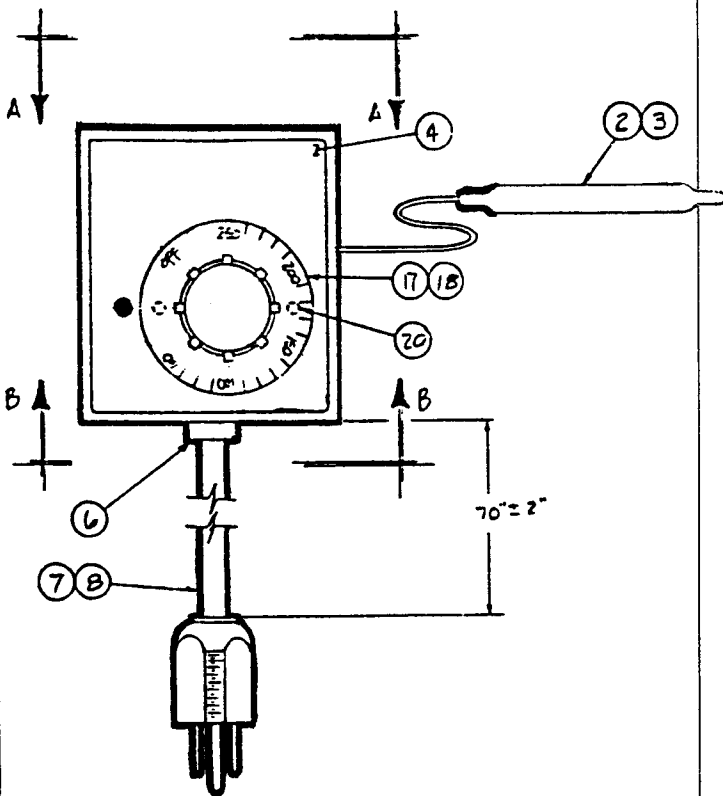
Section A-A



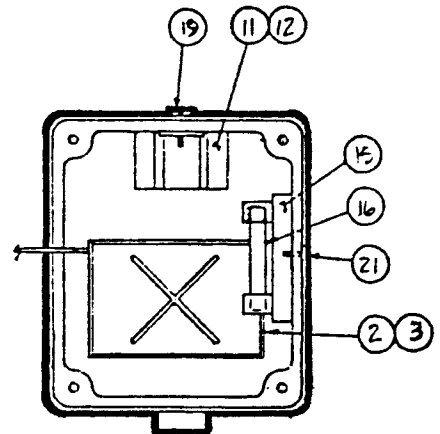
Section B-B



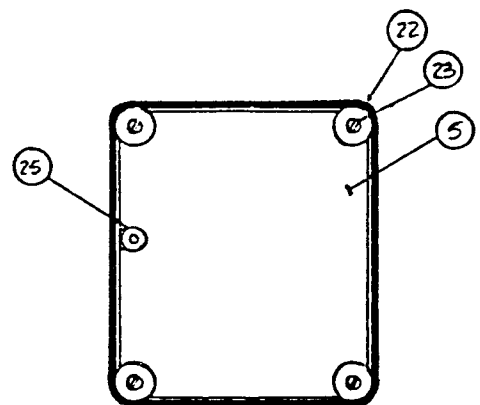
Plan View



Bottom View with Plate Removed



Bottom View with Plate Installed



WARRANTY

OMEGALUX warrants this unit to be free of defects in materials and workmanship and to give satisfactory service for a period of 13 months from date of purchase. OMEGALUX Warranty adds an additional one (1) month grace period to the normal one (1) year product warranty to cover handling and shipping time. This ensures that our customers receive maximum coverage on each product. If the unit should malfunction, it must be returned to the factory for evaluation. Our Customer Service Department will issue an Authorized Return (AR) number immediately upon phone or written request. Upon examination by OMEGALUX, if the unit is found to be defective it will be repaired or replaced at no charge. However, this WARRANTY is VOID if the unit shows evidence of having been tampered with or shows evidence of being damaged as a result of excessive corrosion; or current, heat, moisture or vibration; improper specification; misapplication; misuse or other operating conditions outside of OMEGALUX's control. Components which wear or which are damaged by misuse are not warranted. These include contact points, fuses, and triacs.

THESE UNITS ARE INHERENTLY DANGEROUS AND ARE INTENDED TO BE INSTALLED AND USED ONLY BY QUALIFIED PERSONNEL. NO WARRANTY EXTENDED HEREIN WILL APPLY IF SUCH UNIT IS INSTALLED OR USED BY UNQUALIFIED PERSONNEL. THERE ARE NO WARRANTIES EXCEPT AS STATED HEREIN. THERE ARE NO OTHER WARRANTIES, EXPRESSED OR IMPLIED, INCLUDING BUT NOT LIMITED TO THE IMPLIED WARRANTIES OF MERCHANTABILITY AND OF FITNESS FOR A PARTICULAR PURPOSE. OMEGALUX IS NOT RESPONSIBLE FOR ANY DAMAGES OR LOSSES CAUSED TO OTHER EQUIPMENT, WHETHER DIRECT, INDIRECT, INCIDENTAL, SPECIAL OR CONSEQUENTIAL, WHICH THE PURCHASER MAY EXPERIENCE AS A RESULT OF THE INSTALLATION OR USE OF THE PRODUCT. THE BUYER'S SOLE REMEDY FOR ANY BREACH OF THIS AGREEMENT BY OMEGALUX OR ANY BREACH OF ANY WARRANTY BY OMEGALUX SHALL NOT EXCEED THE PURCHASE PRICE PAID BY THE PURCHASER TO OMEGALUX FOR THE UNIT OR UNITS OR EQUIPMENT DIRECTLY AFFECTED BY SUCH BREACH.

EVERY PRECAUTION FOR ACCURACY HAS BEEN TAKEN IN THE PREPARATION OF THIS MANUAL, HOWEVER, OMEGALUX NEITHER ASSUMES RESPONSIBILITY FOR ANY OMISSIONS OR ERRORS THAT MAY APPEAR NOR ASSUMES LIABILITY FOR ANY DAMAGES THAT RESULT FROM THE USE OF THE PRODUCTS IN ACCORDANCE WITH THE INFORMATION CONTAINED IN THE MANUAL.

OMEGALUX™

An OMEGA Technologies Company

One Omega Drive, Box 4047
Stamford, Connecticut 06907-0047

Call OMEGALUX Toll Free*

1-800-872-4328

1-800-USA-HEAT

*In CT: (203) 359-1660 CABLE: OMEGA EASYLINK: 62968934
And International TELEX: 996404 FAX: (203) 359-7700

Return Requests/Inquiries

Direct all warranty and repair requests/inquiries to OMEGA Customer Service Department, telephone number (203) 359-1660. BEFORE RETURNING ANY INSTRUMENT, PLEASE CONTACT THE OMEGA CUSTOMER SERVICE DEPARTMENT TO OBTAIN AN AUTHORIZED RETURN (AR) NUMBER. The designated AR number should then be marked on the outside of the return package.

To avoid processing delays, also please be sure to include:

1. Returnee's name, address, and phone number.
2. Model and Serial numbers.
3. Repair instructions.

OMEGA's policy is to make running changes, not model changes, whenever an improvement is possible. That way our customers get the latest in technology and engineering.

OMEGA® is a registered trademark of OMEGA ENGINEERING, INC.

OMEGALUX™ is a trademark of OMEGA ENGINEERING, INC.

© Copyright 1989 OMEGA ENGINEERING, INC. All rights reserved including illustrations. Nothing in this manual may be reproduced in any manner, either wholly or in part for any purpose whatsoever without written permission from OMEGA ENGINEERING, INC.

Printed in U.S.A.

M1017/0589