

**omega.com**<sup>®</sup>

Ω OMEGA<sup>®</sup>

## **PSP and PST Series**

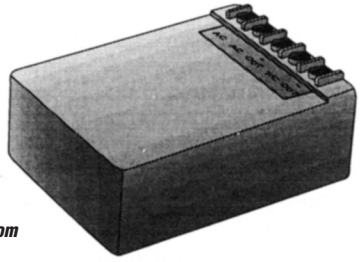
**Power Supplies**

INSTRUCTION  
SHEET

**M0252/0707**

*Shop online at: [omega.com](http://omega.com) e-mail: [info@omega.com](mailto:info@omega.com)*

*For latest product manuals: [omegamanual.info](http://omegamanual.info)*



## **INTRODUCTION**

OMEGA<sup>®</sup> Power Supplies have outputs ranging from 5 to 28 volts, and from 40 mA to 500 mA (Refer to Tables 1 and 2). All styles feature excellent regulation and ripple parameters, and are short circuit protected. Rugged encapsulated construction and generously derated components insure years of reliable operation.

Two case styles are available for your installation needs. The pin terminal style can either be soldered into a printed circuit board or plugged into a phenolic accessory socket board with gold plated Teflon insulated contacts. The barrier strip type case is designed to be mounted to a bulkhead or chassis using four 4-40 screws.

## **FEATURES**

### **Pin Terminal Style**

- No Derating or Heat Sinking Required
- Short Circuit Protected
- Small, Lightweight
- Completely Sealed Case
- Only 7 oz.

### **Screw Terminal Style**

- 4-40 Screw Terminations and Mounting Inserts
- Floating Output
- Efficient
- Rugged
- 15 oz.

## OPERATING INSTRUCTIONS

**INPUT VOLTAGE:** AC input models operate on 105-125 VAC, 47-420 Hz. (Models with an input of 210-250 VAC, 47420 Hz are available on special order).

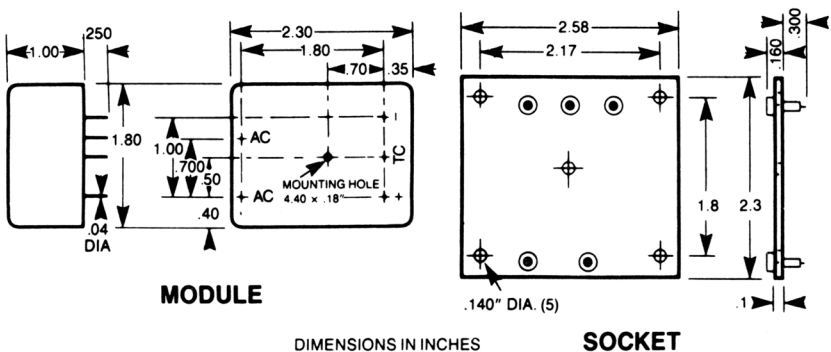
**OUTPUT VOLTAGE ADJUSTMENT:** Output(s) factory set to within +1% of the nominal output voltage rating. (AC input models having outputs of 1 to 9 volts, within 2%.) If necessary, outputs can be more precisely calibrated by the use of an external trim resistor connected between the T/C pin and one of the output pins. With certain units, connecting the resistor from the T/C pin to the (+) output pin increases voltage, and connecting to the (-) output pin decreases it; with other units, the reverse applies. Begin trimming with approximately 1 megohm resistance, and decrease resistance until calibration is attained. Do not use a resistance value of less than 20 K. Trimming the output to a voltage other than the nominal rating may adversely affect performance and may result in damaging the supply.

**SHORT CIRCUIT PROTECTION:** All OMEGA miniaturized power supplies are of rugged construction and designed to withstand substantial overloads or short circuits for reasonable lengths of time. Prolonged operation under overloaded or shorted conditions is not recommended.

**TABLE 1**

OUTPUT		MODEL
V	mA	
5	250	PSP-5
8	150	PSP-8
10	120	PSP-10
15	150	PSP-15
28	40	PSP-28

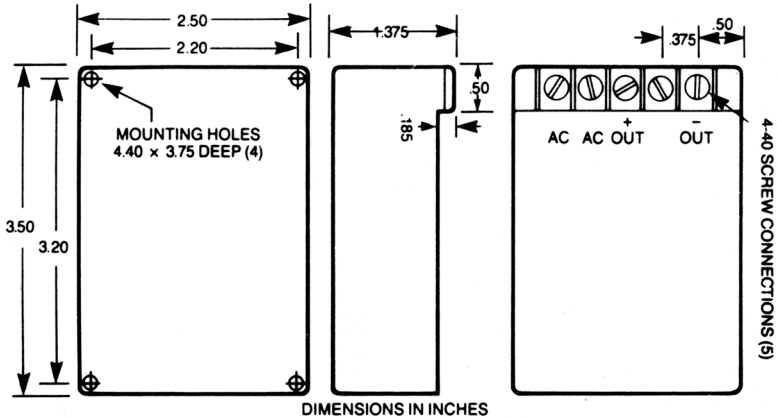
**Figure 1. Dimensions For Pin Terminal Style**



**TABLE 2**

OUTPUT		MODEL
V	mA	
5	500	PST-5
8	300	PST-8
10	240	PST-10
15	200	PST-15
15	300	PST-A15
15	500	PST-B15
18	270	PST-18
28	150	PST-28

**Figure 2. Dimensions For Screw Terminal Style**



**COMMON POWER SUPPLY SPECIFICATIONS**

- INPUT VOLTAGE:** 105-125 V ac, 47 to 420 Hz, single phase
- OUTPUT:** See tables 1 and 2
- REGULATION:** 0.05% line, 0.05% load
- RIPPLE:** 0.5 mV rms
- OUTPUT VOLTAGE TRIM ADJUSTMENT:** Output is factory preset to  $\pm 2\%$  (1 to 9 volt models) or  $\pm 1\%$  (10 to 75 volt models) of nominal output voltage. Output may be trimmed to the nominal voltage rating with an external trim resistor.
- POLARITY:** Output is floating. Either positive or negative terminal may be grounded.
- AMBIENT OPERATING TEMPERATURE:** -20 to +71°C. No derating required.
- STORAGE TEMPERATURE:** -55 to +85°C
- TEMPERATURE COEFFICIENT:** From 9 to 75 volts, approximate TC is 0.15%/°C; 1 to 8 volts, .03%/°C
- IMPEDANCE:** 0.07 ohms at 1 kHz and 0.2 ohms at 10 kHz (approx.)
- DIMENSIONS:** See Figures 1 and 2

**omega.com**

ΩMEGA®

OMEGAnet® Online Service  
omega.comInternet e-mail  
info@omega.com**Servicing North America:**

**U.S.A.:** One Omega Drive, Box 4047  
**ISO 9001 Certified** Stamford, CT 06907-0047  
 Tel: (203) 359-1660 FAX: (203) 359-7700  
 e-mail: info@omega.com

**Canada:** 976 Bergar  
 Laval (Quebec) H7L 5A1, Canada  
 Tel: (514) 856-6928 FAX: (514) 856-6886  
 e-mail: info@omega.ca

**For immediate technical or application assistance:**

**U.S.A. and** Sales Service: 1-800-826-6342/1-800-TC-OMEGA®  
**Canada:** Customer Service: 1-800-622-2378/1-800-622-BEST®  
 Engineering Service: 1-800-872-9436/1-800-USA-WHEN®  
**Mexico:** En Español: (001) 203-359-7803 e-mail: espanol@omega.com  
 FAX: (001) 203-359-7807 info@omega.com.mx

**Servicing Europe:**

**Czech Republic:** Frystatska 184, 733 01 Karviná, Czech Republic  
 TEL: +420 (0)59 6311899  
 FAX: +420 (0)59 6311114  
 Toll Free: 0800-1-66342  
 e-mail: info@omegashop.cz

**Germany/Austria:** Daimlerstrasse 26, D-75392 Deckenpfronn, Germany  
 Tel: +49 (0)7056 9398-0  
 FAX: +49 (0)7056 9398-29  
 Toll Free in Germany: 0800 639 7678  
 e-mail: info@omega.de

**United Kingdom:** One Omega Drive, River Bend Technology Centre  
**ISO 9002 Certified** Northbank, Irlam, Manchester  
 M44 5BD United Kingdom  
 Tel: +44 (0)161 777 6611  
 FAX: +44 (0)161 777 6622  
 Toll Free in United Kingdom: 0800-488-488  
 e-mail: sales@omega.co.uk

It is the policy of OMEGA Engineering, Inc. to comply with all worldwide safety and EMC/EMI regulations that apply. OMEGA is constantly pursuing certification of its products to the European New Approach Directives. OMEGA will add the CE mark to every appropriate device upon certification. The information contained in this document is believed to be correct, but OMEGA accepts no liability for any errors it contains, and reserves the right to alter specifications without notice.

**WARNING:** These products are not designed for use in, and should not be used for, human applications.

**WARRANTY/DISCLAIMER**

OMEGA ENGINEERING, INC. warrants this unit to be free of defects in materials and workmanship for a period of **13 months** from date of purchase. OMEGA's WARRANTY adds an additional one (1) month grace period to the normal **one (1) year product warranty** to cover handling and shipping time. This ensures that OMEGA's customers receive maximum coverage on each product.

If the unit malfunctions, it must be returned to the factory for evaluation. OMEGA's Customer Service Department will issue an Authorized Return (AR) number immediately upon phone or written request. Upon examination by OMEGA, if the unit is found to be defective, it will be repaired or replaced at no charge. OMEGA's WARRANTY does not apply to defects resulting from any action of the purchaser, including but not limited to mishandling, improper interfacing, operation outside of design limits, improper repair, or unauthorized modification. This WARRANTY is VOID if the unit shows evidence of having been tampered with or shows evidence of having been damaged as a result of excessive corrosion; or current, heat, moisture or vibration; improper specification; misapplication; misuse or other operating conditions outside of OMEGA's control. Components in which wear is not warranted, include but are not limited to contact points, fuses, and triacs.

**OMEGA is pleased to offer suggestions on the use of its various products. However, OMEGA neither assumes responsibility for any omissions or errors nor assumes liability for any damages that result from the use of its products in accordance with information provided by OMEGA, either verbal or written. OMEGA warrants only that the parts manufactured by the company will be as specified and free of defects. OMEGA MAKES NO OTHER WARRANTIES OR REPRESENTATIONS OF ANY KIND WHATSOEVER, EXPRESSED OR IMPLIED, EXCEPT THAT OF TITLE, AND ALL IMPLIED WARRANTIES INCLUDING ANY WARRANTY OF MERCHANTABILITY AND FITNESS FOR A PARTICULAR PURPOSE ARE HEREBY DISCLAIMED. LIMITATION OF LIABILITY: The remedies of purchaser set forth herein are exclusive, and the total liability of OMEGA with respect to this order, whether based on contract, warranty, negligence, indemnification, strict liability or otherwise, shall not exceed the purchase price of the component upon which liability is based. In no event shall OMEGA be liable for consequential, incidental or special damages.**

**CONDITIONS:** Equipment sold by OMEGA is not intended to be used, nor shall it be used: (1) as a "Basic Component" under 10 CFR 21 (NRC), used in or with any nuclear installation or activity; or (2) in medical applications or used on humans. Should any Product(s) be used in or with any nuclear installation or activity, medical application, used on humans, or misused in any way, OMEGA assumes no responsibility as set forth in our basic WARRANTY/DISCLAIMER language, and, additionally, purchaser will indemnify OMEGA and hold OMEGA harmless from any liability or damage whatsoever arising out of the use of the Product(s) in such a manner.

**RETURN REQUESTS / INQUIRIES**

Direct all warranty and repair requests/inquiries to the OMEGA Customer Service Department. BEFORE RETURNING ANY PRODUCT(S) TO OMEGA, PURCHASER MUST OBTAIN AN AUTHORIZED RETURN (AR) NUMBER FROM OMEGA'S CUSTOMER SERVICE DEPARTMENT (IN ORDER TO AVOID PROCESSING DELAYS). The assigned AR number should then be marked on the outside of the return package and on any correspondence.

The purchaser is responsible for shipping charges, freight, insurance and proper packaging to prevent breakage in transit.

FOR **WARRANTY** RETURNS, please have the following information available BEFORE contacting OMEGA:

1. Purchase Order number under which the product was PURCHASED,
2. Model and serial number of the product under warranty, and
3. Repair instructions and/or specific problems relative to the product.

FOR **NON-WARRANTY** REPAIRS, consult OMEGA for current repair charges. Have the following information available BEFORE contacting OMEGA:

1. Purchase Order number to cover the COST of the repair,
2. Model and serial number of the product, and
3. Repair instructions and/or specific problems relative to the product.

OMEGA's policy is to make running changes, not model changes, whenever an improvement is possible. This affords our customers the latest in technology and engineering.

OMEGA is a registered trademark of OMEGA ENGINEERING, INC.

© Copyright 2007 OMEGA ENGINEERING, INC. All rights reserved. This document may not be copied, photocopied, reproduced, translated, or reduced to any electronic medium or machine-readable form, in whole or in part, without the prior written consent of OMEGA ENGINEERING, INC.