

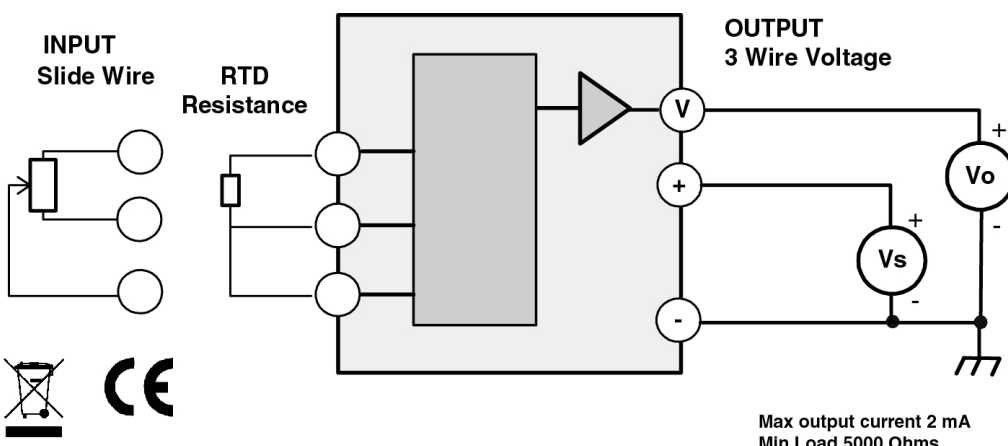
TX-M12-RTD-V

RTD / Resistance or Slide Wire Input : Three Wire (0 to 10) V Output

INSTRUCTION
SHEET

MUK003/1011

Shop online at: omega.co.uk e-mail: sales@omega.co.uk
For latest product manuals: omega.co.uk



Max output current 2 mA
Min Load 5000 Ohms

1.0 Description

The product is a cost effective "smart" transmitter that accepts resistance signals including RTD sensors and converts them to a standard industrial 3 wire voltage transmission signal over a user programmed range.

PC configuration allows the user to select Sensor Type, Range, Units and Error Signal without requiring calibration equipment. Configuration is performed quickly using our new USB port driven configurator by simply connecting to the units power input and following the software instructions. Configuration set up may be saved as a file on the PC for later use. Additionally, the user may read live process data when connected to the PC, allowing for sensor calibration, where the user can enter an offset value to correct any sensor deviation.

2.0 Important safety Information

To maintain CE compliance all input wires must be less than 3 metres. The product contains no user serviceable parts, or internal adjustments. No attempt should be made to repair this device. Faulty units must be returned to supplier or manufacturer for repair or replacement. This product must be installed by competent qualified personnel. All electrical wiring must be installed to comply with the area standards, regulations. Before attempting electrical connection ensure all supplies are switched off.

ABSOLUTE MAXIMUM OPERATING CONDITIONS :-

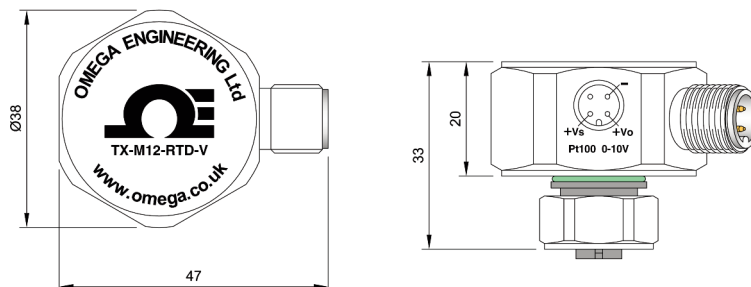
Supply 30 V dc (reverse protected to -30 V dc)

Supply Current on over voltage + 100 mA (when supply exceeds 30 V dc protection the device will conduct)

Ambient -40 to + 85 °C

3.0 Mechanical Details

The unit must be installed with adequate protection from corrosive atmospheres. The correct type of M12 mating connectors should be used to maintain IP67 protection. Care must be taken with device location to ensure the ambient temperature does not exceed the specified operating temperature.



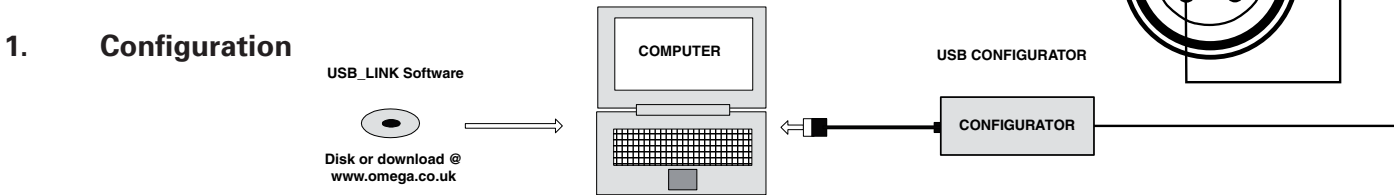
Every effort has been taken to ensure the accuracy of this document, however we do not accept responsibility for damage, injury, loss or expense resulting from errors and omissions and we reserve the right of amendment without notice.

3.0 Installation

For the product specification please refer to product data sheet. Installation is normally performed in the following order. If the product has been purchased as part of a probe assembly steps (1 to 3) will have been completed. The user can re-configure the transmitter range on a completed probe assembly by following from step 1.

For advanced user configuration involving custom sensors and user linearisation contact technical support at the address overleaf.

1. Configuration
2. Probe Assembly
3. Wire Sensor
4. Install Assembly
5. Wire the voltage output connections



Follow the instructions provided by software menus, refer to the product data sheet for list of configurable parameters. Factory default PT100 range (0 to 100) °C upscale burnout and 0 to 10V output range.

2. Probe assembly

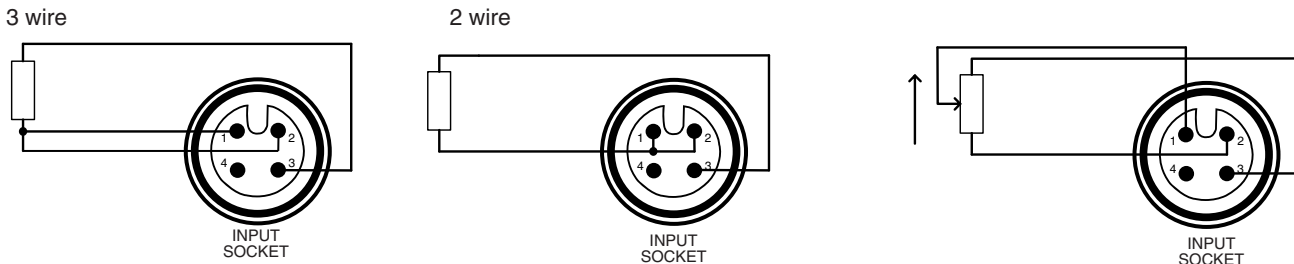
Omega offers two styles of RTD probe assemblies that will connect directly to the sensor input. Please refer to date sheets for PR-21 and PR-22 probes.

3. Wire sensor

Sensor connections are made by the use of a suitable M12 plug (Omega part No M12-S-M-FM). All sensor connections must be isolated from ground. To maintain BS EN61326 compliance sensor wires must be less than 3 metres.

Sensor RTD or Resistance (0 to 10.5) Kohm

Slide Wire (0 to 10.5) Kohm

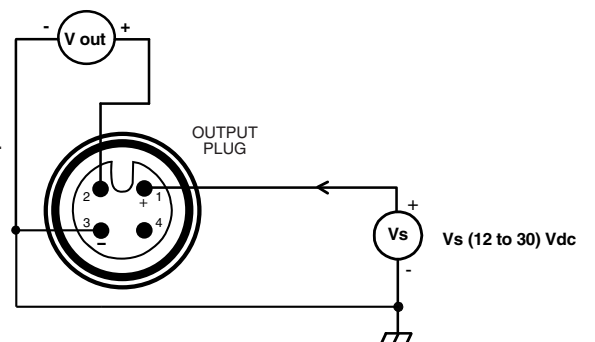


4. Install assembly

Care must be taken as to where the unit is located, so that the ambient temperature of the transmitter does not exceed the specified operating temperature of (-40 to + 85) °C.

5. Output and Supply Wiring

A suitable M12 socket is required for output connection (Omega part No. M12-R-F-FM). To comply with CE regulations the output must be earthed at one point, normally at the power supply.





Online Service
omega.co.uk

Internet e-mail
sales@omega.co.uk

Servicing Europe:

United Kingdom: OMEGA Engineering Ltd.
ISO 9001 Certified One Omega Drive, River Bend Technology Centre, Northbank
Irlam, Manchester M44 5BD United Kingdom
Free Phone: 0800-488-488 TEL: +44 (0) 161 777-6611
FAX: +44 (0) 161 777-6622 e-mail: sales@omega.co.uk

France: Managed by the United Kingdom Office
Toll-Free: 0800 466 342 TEL: +33 (0) 161 37 29 00
FAX: +33 (0) 130 57 54 27 e-mail: sales@omega.fr

Benelux: Managed by the United Kingdom Office
Toll-Free: 0800 099 3344 TEL: +31 20 347 21 21
FAX: +31 20 643 46 43 e-mail: sales@omegaeng.nl

Germany/Austria: Daimlerstrasse 26, D-75392 Deckenpfronn, Germany
Toll-Free: 0800 6397678 TEL: +49 (0) 7056 9398-0
FAX: +49 (0) 7056 9398-29 e-mail: info@omega.de

Servicing North America:

U.S.A.: Omega Engineering, Inc., One Omega Drive, P.O. Box 4047
ISO 9001 Certified Stamford, CT 06907-0047
Toll-Free: 1-800-826-6342 Tel: (203) 359-1660
FAX: (203) 359-7700 e-mail: info@omega.com

Canada: 976 Bergar
Laval (Quebec), H7L 5A1 Canada
Toll-Free: 1-800-826-6342 TEL: (514) 856-6928
FAX: (514) 856-6886 e-mail: info@omega.ca

For immediate technical or application assistance:

United Kingdom: Sales Service Free Phone: 0800-488-488 (UK ONLY)
Sales Service International: +44(0)-161-777-2225
Engineering Service Direct +44(0) -161-777-2232

U.S.A. and Canada: Sales Service: 1-800-826-6342 / 1-800-TC-OMEGA®
Customer Service: 1-800-622-2378 / 1-800-622-BEST®
Engineering Service: 1-800-872-9436 / 1-800-USA-WHEN®

It is the policy of OMEGA Engineering, Ltd. to comply with all worldwide safety and EMC/EMI regulations that apply. OMEGA is constantly pursuing certification of its products to the European New Approach Directives. OMEGA will add the CE mark to every appropriate device upon certification.

The information contained in this document is believed to be correct, but OMEGA accepts no liability for any errors it contains, and reserves the right to alter specifications without notice.

WARNING: These products are not designed for use in, and should not be used for, human applications.



WARRANTY/DISCLAIMER

OMEGA ENGINEERING, LTD. warrants this unit to be free of defects in materials and workmanship for a period of **13 months** from date of purchase. OMEGA's WARRANTY adds an additional one (1) month grace period to the normal **one (1) year product warranty** to cover handling and shipping time. This ensures that OMEGA's customers receive maximum coverage on each product.

If the unit malfunctions, it must be returned to the factory for evaluation. OMEGA's Customer Service Department will issue an Authorized Return (AR) number immediately upon phone or written request. Upon examination by OMEGA, if the unit is found to be defective, it will be repaired or replaced at no charge. OMEGA's WARRANTY does not apply to defects resulting from any action of the purchaser, including but not limited to mishandling, improper interfacing, operation outside of design limits, improper repair, or unauthorized modification. This WARRANTY is VOID if the unit shows evidence of having been tampered with or shows evidence of having been damaged as a result of excessive corrosion; or current, heat, moisture or vibration; improper specification; misapplication; misuse or other operating conditions outside of OMEGA's control. Components in which wear is not warranted, include but are not limited to contact points, fuses, and triacs.

OMEGA is pleased to offer suggestions on the use of its various products. However, OMEGA neither assumes responsibility for any omissions or errors nor assumes liability for any damages that result from the use of its products in accordance with information provided by OMEGA, either verbal or written. OMEGA warrants only that the parts manufactured by the company will be as specified and free of defects. OMEGA MAKES NO OTHER WARRANTIES OR REPRESENTATIONS OF ANY KIND WHATSOEVER, EXPRESSED OR IMPLIED, EXCEPT THAT OF TITLE, AND ALL IMPLIED WARRANTIES INCLUDING ANY WARRANTY OF MERCHANTABILITY AND FITNESS FOR A PARTICULAR PURPOSE ARE HEREBY DISCLAIMED. LIMITATION OF LIABILITY: The remedies of purchaser set forth herein are exclusive, and the total liability of OMEGA with respect to this order, whether based on contract, warranty, negligence, indemnification, strict liability or otherwise, shall not exceed the purchase price of the component upon which liability is based. In no event shall OMEGA be liable for consequential, incidental or special damages.

CONDITIONS: Equipment sold by OMEGA is not intended to be used, nor shall it be used: (1) as a "Basic Component" under 10 CFR 21 (NRC), used in or with any nuclear installation or activity; or (2) in medical applications or used on humans. Should any Product(s) be used in or with any nuclear installation or activity, medical application, used on humans, or misused in any way, OMEGA assumes no responsibility as set forth in our basic WARRANTY/DISCLAIMER language, and, additionally, purchaser will indemnify OMEGA and hold OMEGA harmless from any liability or damage whatsoever arising out of the use of the Product(s) in such a manner.

RETURN REQUESTS / INQUIRIES

Direct all warranty and repair requests/inquiries to the OMEGA Customer Service Department. BEFORE RETURNING ANY PRODUCT(S) TO OMEGA, PURCHASER MUST OBTAIN AN AUTHORIZED RETURN (AR) NUMBER FROM OMEGA'S CUSTOMER SERVICE DEPARTMENT (IN ORDER TO AVOID PROCESSING DELAYS). The assigned AR number should then be marked on the outside of the return package and on any correspondence.

The purchaser is responsible for shipping charges, freight, insurance and proper packaging to prevent breakage in transit.

FOR **WARRANTY** RETURNS, please have the following information available BEFORE contacting OMEGA:

1. Purchase Order number under which the product was PURCHASED,
2. Model and serial number of the product under warranty, and
3. Repair instructions and/or specific problems relative to the product.

FOR **NON-WARRANTY** REPAIRS, consult OMEGA for current repair charges. Have the following information available BEFORE contacting OMEGA:

1. Purchase Order number to cover the COST of the repair,
2. Model and serial number of the product, and
3. Repair instructions and/or specific problems relative to the product.

OMEGA's policy is to make running changes, not model changes, whenever an improvement is possible. This affords our customers the latest in technology and engineering. OMEGA is a registered trademark of OMEGA ENGINEERING, LTD.

© Copyright 2011 OMEGA ENGINEERING, LTD. All rights reserved. This document may not be copied, photocopied, reproduced, translated, or reduced to any electronic medium or machine-readable form, in whole or in part, without the prior written consent of OMEGA ENGINEERING, LTD.