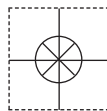


**1 YEAR**  
WARRANTY



# **OMEGA<sup>®</sup>** **User's Guide**

***Shop online at  
omega.com<sup>®</sup>***

***e-mail: info@omega.com  
For latest product manuals:  
www.omegamanual.info***



## **OM-SGD-24-M-IP SERIES**

**Waterproof Smart Graphics Display**



omega.com info@omega.com

**Servicing North America:**

**U.S.A.:**

Omega Engineering, Inc., One Omega Drive, P.O. Box 4047  
Stamford, CT 06907-0047 USA

Toll-Free: 1-800-826-6342 (USA & Canada only)

Customer Service: 1-800-622-2378 (USA & Canada only)

Engineering Service: 1-800-872-9436 (USA & Canada only)

Tel: (203) 359-1660

Fax: (203) 359-7700

e-mail: info@omega.com

**For Other Locations Visit [omega.com/worldwide](http://omega.com/worldwide)**

# OM-SGD-24-M-IP

## Waterproof Smart Graphics Display

### FEATURES

- 2.4" color TFT screen
- IP-67 and NEMA 6 rated
- Rugged and scratch resistant Corning® Gorilla® Glass window
- Supplied with free Windows design software, to setup and customize the display. Compatible with Windows XP, Vista 7 and 8
- Download meter applications from the ever expanding online library
- Programmable with the USB interface
- Simple and easy panel mounting solution
- IP-67 12-way connection
- Wide operating voltage of 4V – 30V d.c.
- 0 – 40V d.c. measurement range
- 2 analog inputs & 2 alarm outputs
- SPI and I<sup>2</sup>C
- 4-20mA version available (OM-SGD-24-M-IP420)

The OM-SGD-24-M-IP is a smart IP-67 graphics display with a 320 x 240 pixel (QVGA) color display and USB programming interface.

Using the PanelPilot software (available for Windows XP, 2000, Vista and Windows 7), users are able to choose from an ever-increasing number of configurations which can then be customized to their needs. The additional voltmeter types and other functions are available through [www.omega.com](http://www.omega.com).

Colors, text labels, splash screen and input voltage scaling can all be customized by the user through the software and then uploaded to the OM-SGD-24-M-IP through the USB connection. When setup is complete, the settings can be saved and then uploaded to the meter using the supplied USB cable. Panel or enclosure installation of the finished module is simple, using the 32mm nut and the IP67 connector supplied with the unit.

### ORDERING INFORMATION

Standard Display (Panel meter, fixing kit, IP-67 connector, quick start guide)	OM-SGD-24-M-IP
Current Loop Display (Panel meter, fixing kit, IP-67 connector, quick start guide)	OM-SGD-24-M-IP420
USB Cable (Type A to mini-B)	OM-CABLE-USB A-MF
2m Rightangle cable with IP-67 connector	OM-CABLE-IP-12W-RA



Specifications	Minimum	Typical	Maximum	Unit
Accuracy		0.05	0.1	%
Linearity			±1*	Count
Sample rate		3		Samples/second
Operating temperature range	0 (+32)		+40 (+104)	°C (°F)
Supply voltage	4		30	V d.c.
Measurement voltage (single ended only) **	0		40	V d.c.
Measurement current (4-20mA version)	4		20	mA
Supply current ***	35		190	mA

\* Depending on user calibration settings

\*\* The OM-SGD-24-M-IP uses a programmable gain amplifier. There are 8 different voltage ranges, to optimise the resolution. See page 2 for details.

\*\*\* Voltage dependent. See graph on Page 2.

[www.omega.com](http://www.omega.com)

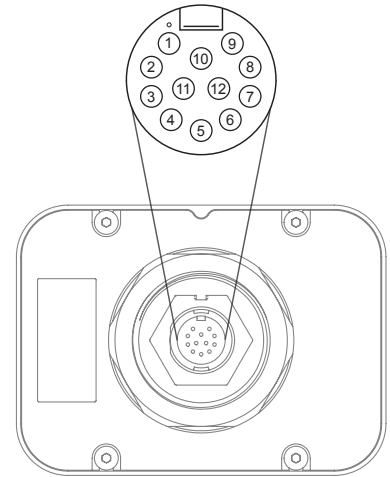
# OM-SGD-24-M-IP

## Waterproof Smart Graphics Display

### IP67 CONNECTION

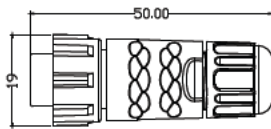
#### Connector Pin Functions

1	ESPI-CS2	-SPI chip select
2	ESPI-MISO	- SPI master input, slave output
3	ESPI-CLK	- SPI serial clock
4	ESPI-MOSI	- SPI master output, slave input
5	SDA	- Serial data
6	SCL	- Serial clock
7	ALM2	- Alarm output 2
8	ALM1	- Alarm output 1
9	IN1	- Analog voltage input 1 (maximum of 40V d.c. w.r.t 0v)
10	IN2	- Analog voltage input 2 (maximum of 40V d.c. w.r.t 0v)
11	0V	- 0V power supply input
12	V+	- Positive power supply input (4V – 30V d.c.)

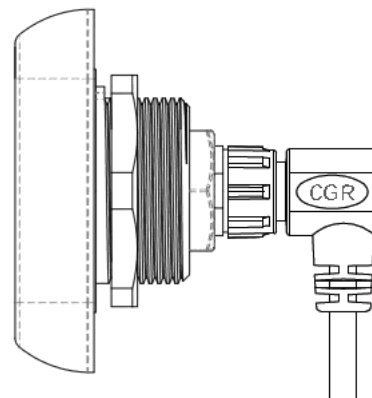
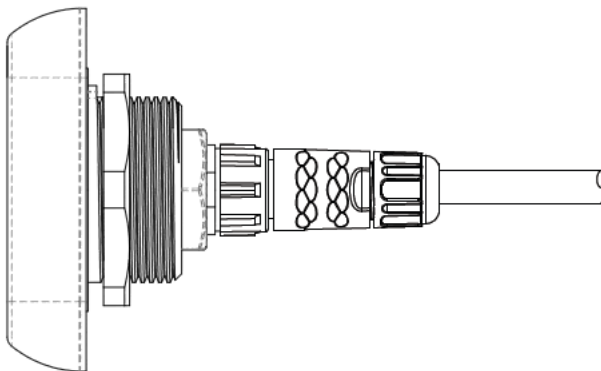
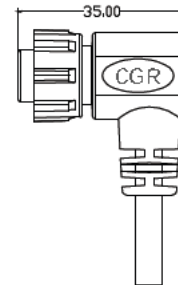


#### Connector plug options

Twist lock, field installable connector with solder bucket pins.  
Seals for Cable OD=4.5mm~7.0mm



Twist lock connector with right angle overmoulded strain relief.  
Cable length 2m.



# OM-SGD-24-M-IP

## Waterproof Smart Graphics Display

### VOLTAGE INPUT

The OM-SGD-24-M-IP features 2 voltage inputs, which use a Programmable Gain Amplifier (PGA) to make the best use of available resolution (the smallest voltage range offers the highest resolution)\*. Each channel can be programmed independently, with the option of eight different input voltage ranges:

Voltage Range (V)	Resolution (mV)
0 - 1.25	0.3
0 - 2.5	0.6 (4-20mA)
0 - 4	1.0
0 - 5	1.2
0 - 8	2.0
0 - 10	2.4
0 - 20	4.9
0 - 40	9.8

The input voltage range is decided using the two voltages that the user enters in the scaling section of the Panel Pilot software. The software uses the smallest range available, which can accommodate both of the voltages entered by the user. The absolute maximum voltage input is 40V d.c.

For example:

Entering a voltage scale of 0 – 30V in the software will use the 0 – 40V range.

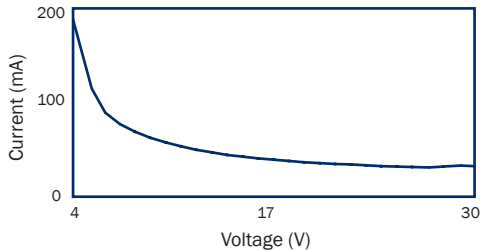
Entering a voltage scale of 0 – 3V in the software will use the 0 – 4V range.

Entering a voltage scale of 5 – 15V in the software will use the 0 – 20V range.

Note: V+, IN1 and IN2 share a common ground (i.e. not floating or isolated from each other).

\*For the 4-20mA model, the 0-2.5 range is used.

### Typical Supply Current



### USB Connection

A 'Type A to Mini-B' USB cable is required to program and customize the OM-SGD-24-M-IP by unscrewing the 4xM3 screws and removing the back cover. The packing tray supplied can be used as a jig to hold the module and to avoid disconnecting the 12 way connector from the PCB inside.

The device will be powered for programming via USB.

It typically takes between 10 and 30 seconds to send a configuration, with an additional 5 seconds needed for the hardware to reset.

### Display

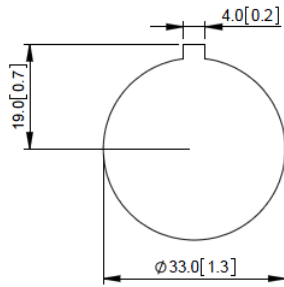
The display is a 2.4" TFT panel, with a resolution of 320 x 240 pixels and a 16-bit color depth. Any graphics that are uploaded to the meter are automatically converted to this specification.

# OM-SGD-24-M-IP

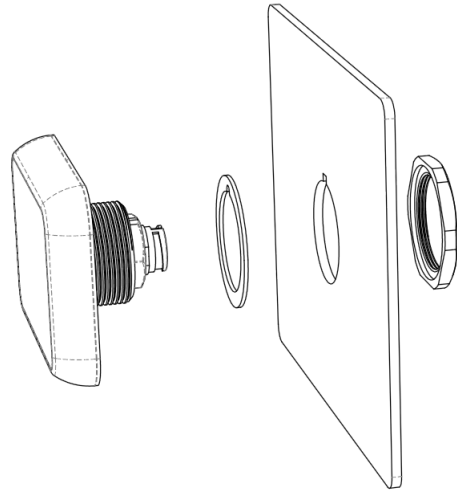
## Waterproof Smart Graphics Display

### PANEL MOUNTING

The OM-SGD-24-M-IP can be fitted into panels of up to 10.5mm deep. A rubber seal is included to seal the mounting hole when the 32mm nut is fully tightened. Panel mounting hole cut-out is DIA 33mm.

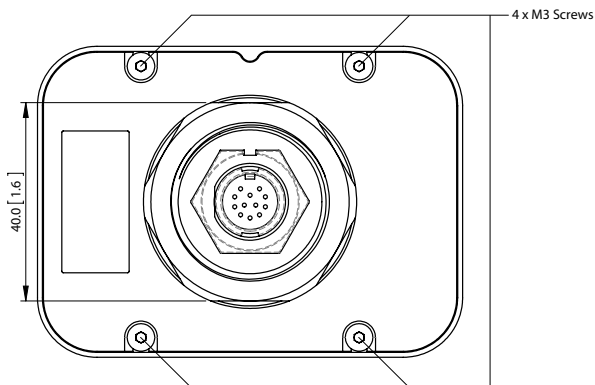
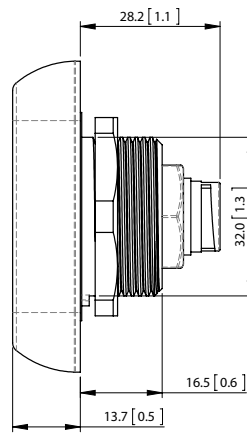
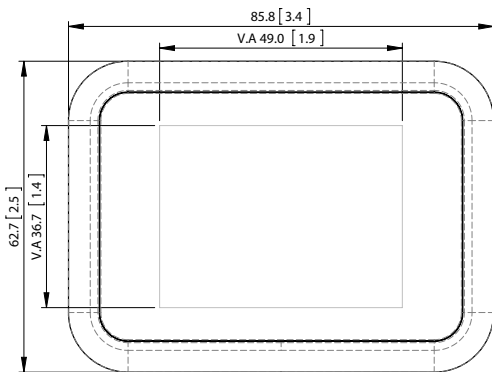


PANEL CUT OUT DIMENSIONS



### DIMENSIONS

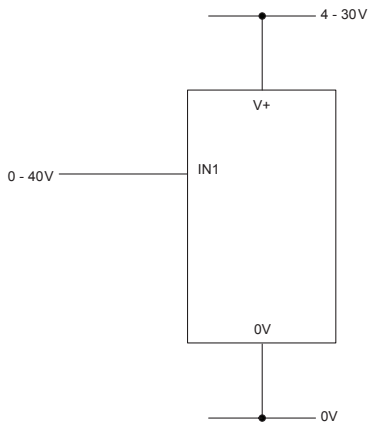
All dimensions in mm [inches]



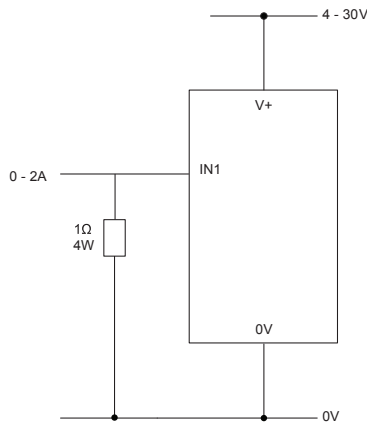
# OM-SGD-24-M-IP

## Waterproof Smart Graphics Display

### VARIOUS OPERATING MODES

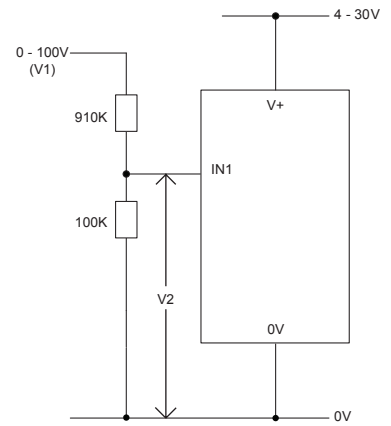


MEASURING A VOLTAGE SOURCE



MEASURING 0-2 AMPS CURRENT RANGE

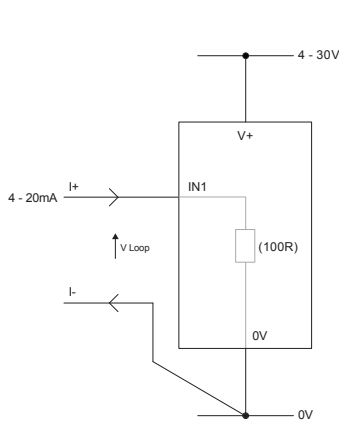
Use a 1 Ω resistor, with a 4W rating.  
Setup scaling in software: 0V = 0.00 and 2V = 2.00



MEASURING 0-100V (d.c. only)

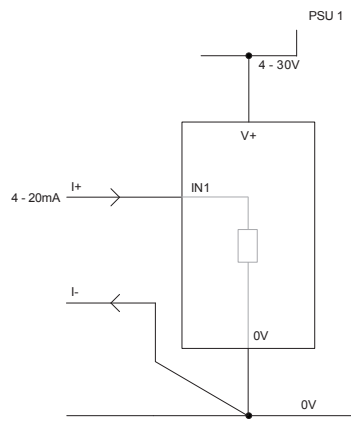
Input a known voltage of between 0 and 100V (V1)  
Measure the voltage between IN1 and 0V (V2)  
Setup scaling in software: 0V = 0.0  
V2 = V1 (Enter with the same number of decimal points, i.e 50.0)

### VARIOUS OPERATING MODES (4-20mA version)



MEASURING 4-20mA

Power supply to meter must be fully floating  
(isolated from the 4-20mA current loop)



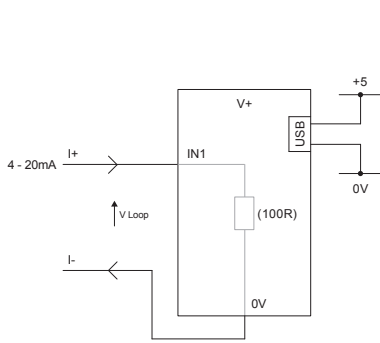
USING TWO OM-SGD DISPLAYS IN SAME INSTALLATION

Each OM-SGD must be powered from a separate, fully floating, power supply

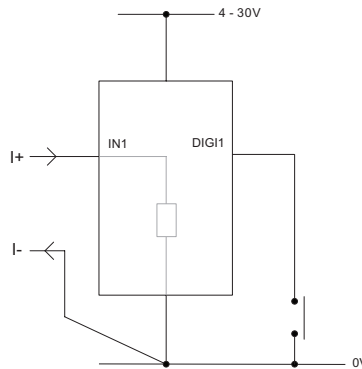
# OM-SGD-24-M-IP

## Waterproof Smart Graphics Display

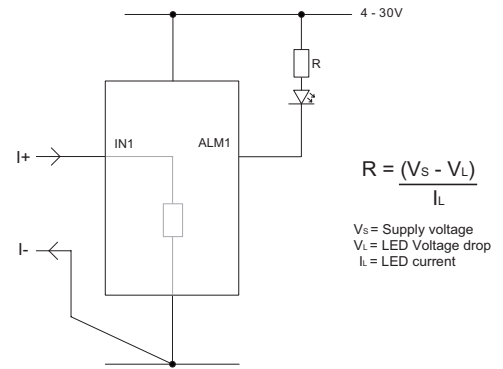
### VARIOUS OPERATING MODES (4-20mA version) continued



MEASURING 4-20mA  
USING A USB POWER SUPPLY



DIGITAL HOLD  
DIGI1 will hold the display



ALARM OUTPUT  
Applications that feature an alarm can be connected as above.  
ALM1 must not sink more than 10mA maximum each. If supply voltage varies, use an appropriate voltage regulator.

### PANELPILOT SOFTWARE

Omega's PanelPilot software is available for download free of charge from [www.omega.com](http://www.omega.com). Easy to install and use, the control software runs under Windows XP, Vista and 7 and 8. The software is used to setup the appearance and operation of the meter and then upload these settings to the meter.

Multiple types of voltmeter are supplied with the software. See [www.omega.com](http://www.omega.com) for details of available meters.

The software allows the following parameters to be configured:

- Meter type
- Text labels (including units and graph labels)
- Background, graph segment and text colors
- Input scaling / calibration (at two points)
- Decimal points (entered during scaling)
- Splashscreen image selection (to display a user image, such as a logo, when the meter is powered up)



[www.omega.com](http://www.omega.com)



## WARRANTY/DISCLAIMER

OMEGA ENGINEERING, INC. warrants this unit to be free of defects in materials and workmanship for a period of **13 months** from date of purchase. OMEGA's WARRANTY adds an additional one (1) month grace period to the normal **one (1) year product warranty** to cover handling and shipping time. This ensures that OMEGA's customers receive maximum coverage on each product.

If the unit malfunctions, it must be returned to the factory for evaluation. OMEGA's Customer Service Department will issue an Authorized Return (AR) number immediately upon phone or written request. Upon examination by OMEGA, if the unit is found to be defective, it will be repaired or replaced at no charge. OMEGA's WARRANTY does not apply to defects resulting from any action of the purchaser, including but not limited to mishandling, improper interfacing, operation outside of design limits, improper repair, or unauthorized modification. This WARRANTY is VOID if the unit shows evidence of having been tampered with or shows evidence of having been damaged as a result of excessive corrosion; or current, heat, moisture or vibration; improper specification; misapplication; misuse or other operating conditions outside of OMEGA's control. Components in which wear is not warranted, include but are not limited to contact points, fuses, and triacs.

**OMEGA is pleased to offer suggestions on the use of its various products. However, OMEGA neither assumes responsibility for any omissions or errors nor assumes liability for any damages that result from the use of its products in accordance with information provided by OMEGA, either verbal or written. OMEGA warrants only that the parts manufactured by the company will be as specified and free of defects. OMEGA MAKES NO OTHER WARRANTIES OR REPRESENTATIONS OF ANY KIND WHATSOEVER, EXPRESSED OR IMPLIED, EXCEPT THAT OF TITLE, AND ALL IMPLIED WARRANTIES INCLUDING ANY WARRANTY OF MERCHANTABILITY AND FITNESS FOR A PARTICULAR PURPOSE ARE HEREBY DISCLAIMED. LIMITATION OF LIABILITY: The remedies of purchaser set forth herein are exclusive, and the total liability of OMEGA with respect to this order, whether based on contract, warranty, negligence, indemnification, strict liability or otherwise, shall not exceed the purchase price of the component upon which liability is based. In no event shall OMEGA be liable for consequential, incidental or special damages.**

CONDITIONS: Equipment sold by OMEGA is not intended to be used, nor shall it be used: (1) as a "Basic Component" under 10 CFR 21 (NRC), used in or with any nuclear installation or activity; or (2) in medical applications or used on humans. Should any Product(s) be used in or with any nuclear installation or activity, medical application, used on humans, or misused in any way, OMEGA assumes no responsibility as set forth in our basic WARRANTY/DISCLAIMER language, and, additionally, purchaser will indemnify OMEGA and hold OMEGA harmless from any liability or damage whatsoever arising out of the use of the Product(s) in such a manner.

## RETURN REQUESTS/INQUIRIES

Direct all warranty and repair requests/inquiries to the OMEGA Customer Service Department. BEFORE RETURNING ANY PRODUCT(S) TO OMEGA, PURCHASER MUST OBTAIN AN AUTHORIZED RETURN (AR) NUMBER FROM OMEGA'S CUSTOMER SERVICE DEPARTMENT (IN ORDER TO AVOID PROCESSING DELAYS). The assigned AR number should then be marked on the outside of the return package and on any correspondence.

The purchaser is responsible for shipping charges, freight, insurance and proper packaging to prevent breakage in transit.

FOR **WARRANTY** RETURNS, please have the following information available BEFORE contacting OMEGA:

1. Purchase Order number under which the product was PURCHASED,
2. Model and serial number of the product under warranty, and
3. Repair instructions and/or specific problems relative to the product.

FOR **NON-WARRANTY** REPAIRS, consult OMEGA for current repair charges. Have the following information available BEFORE contacting OMEGA:

1. Purchase Order number to cover the COST of the repair,
2. Model and serial number of the product, and
3. Repair instructions and/or specific problems relative to the product.

OMEGA's policy is to make running changes, not model changes, whenever an improvement is possible. This affords our customers the latest in technology and engineering.

OMEGA is a registered trademark of OMEGA ENGINEERING, INC.

© Copyright 2014 OMEGA ENGINEERING, INC. All rights reserved. This document may not be copied, photocopied, reproduced, translated, or reduced to any electronic medium or machine-readable form, in whole or in part, without the prior written consent of OMEGA ENGINEERING, INC.

# Where Do I Find Everything I Need for Process Measurement and Control? **OMEGA...Of Course!** *Shop online at [omega.com](http://omega.com)<sup>SM</sup>*

## **TEMPERATURE**

- ☑ Thermocouple, RTD & Thermistor Probes, Connectors, Panels & Assemblies
- ☑ Wire: Thermocouple, RTD & Thermistor
- ☑ Calibrators & Ice Point References
- ☑ Recorders, Controllers & Process Monitors
- ☑ Infrared Pyrometers

## **PRESSURE, STRAIN AND FORCE**

- ☑ Transducers & Strain Gages
- ☑ Load Cells & Pressure Gages
- ☑ Displacement Transducers
- ☑ Instrumentation & Accessories

## **FLOW/LEVEL**

- ☑ Rotameters, Gas Mass Flowmeters & Flow Computers
- ☑ Air Velocity Indicators
- ☑ Turbine/Paddlewheel Systems
- ☑ Totalizers & Batch Controllers

## **pH/CONDUCTIVITY**

- ☑ pH Electrodes, Testers & Accessories
- ☑ Benchtop/Laboratory Meters
- ☑ Controllers, Calibrators, Simulators & Pumps
- ☑ Industrial pH & Conductivity Equipment

## **DATA ACQUISITION**

- ☑ Data Acquisition & Engineering Software
- ☑ Communications-Based Acquisition Systems
- ☑ Plug-in Cards for Apple, IBM & Compatibles
- ☑ Data Logging Systems
- ☑ Recorders, Printers & Plotters

## **HEATERS**

- ☑ Heating Cable
- ☑ Cartridge & Strip Heaters
- ☑ Immersion & Band Heaters
- ☑ Flexible Heaters
- ☑ Laboratory Heaters

## **ENVIRONMENTAL MONITORING AND CONTROL**

- ☑ Metering & Control Instrumentation
- ☑ Refractometers
- ☑ Pumps & Tubing
- ☑ Air, Soil & Water Monitors
- ☑ Industrial Water & Wastewater Treatment
- ☑ pH, Conductivity & Dissolved Oxygen Instruments