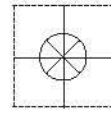


**.1 YEAR
WARRANTY**

**OMEGA
CARE**
Extended Warranty
Program



OMEGA[®] **User's Guide**

*Shop online at
omega.com[®]*

*e-mail: info@omega.com
For latest product manuals:
www.omegamanual.info*



OM-USB-2404-UI **4-Channel Universal Input** **USB Data Acquisition Module**



omega.com info@omega.com

Servicing North America:

U.S.A.:

Omega Engineering, Inc., One Omega Drive, P.O. Box 4047
Stamford, CT 06907-0047 USA

Toll-Free: 1-800-826-6342 (USA & Canada only)

Customer Service: 1-800-622-2378 (USA & Canada only)

Engineering Service: 1-800-872-9436 (USA & Canada only)

Tel: (203) 359-1660

Fax: (203) 359-7700

e-mail: info@omega.com

For Other Locations Visit omega.com/worldwide

Table of Contents

Preface

About this User's Guide	5
What you will learn from this user's guide	5
Conventions in this user's guide	5
Where to find more information	5
Hazardous voltages	5
Hazardous locations	5

Chapter 1

Introducing the OM-USB-2404-UI	6
Functional block diagram	7

Chapter 2

Installing the OM-USB-2404-UI	8
What comes with your shipment?	8
Hardware	8
Software	8
Documentation	8
Optional accessories	8
Unpacking	8
Installing the software	8
Installing the hardware	8
Calibrating the OM-USB-2404-UI	9

Chapter 3

Functional Details	10
Components	10
Spring terminals	10
Strain relief slot	11
USB connector	11
LED	11
Connecting wires to the spring terminals	11
TEDS sensor connections	12
Signal source connections	12
Timing options	12
OM-USB-2404-UI circuitry	13
Analog input circuitry	13
Voltage and current modes	13
4-wire resistance and 4-wire RTD modes	13
3-wire RTD mode	14
2-wire resistance and quarter-bridge modes	14
Half-bridge and full-bridge modes	14
Thermocouple mode	15
Excitation protection	15

Chapter 4

Specifications	16
Analog input	16
Input mode ranges	17
Accuracy	17
Stability	17
Input noise	18
Excitation level	18
Power	18
Bus interface	19

Environmental	19
Mechanical	19
Safety voltages.....	19
Spring terminal connectors	19
Accessory products.....	20

About this User's Guide

What you will learn from this user's guide

This user's guide describes the Omega Engineering OM-USB-2404-UI data acquisition device and lists device specifications.

Conventions in this user's guide

For more information

Text presented in a box signifies additional information and helpful hints related to the subject matter you are reading.

Caution! Shaded caution statements present information to help you avoid injuring yourself and others, damaging your hardware, or losing your data.

bold text **Bold** text is used for the names of objects on a screen, such as buttons, text boxes, and check boxes.

italic text *Italic* text is used for the names of manuals and help topic titles, and to emphasize a word or phrase.

Where to find more information

Additional information about OM-USB-2404-UI hardware is available on our website at www.omega.com. You can also contact Omega Engineering by phone, fax, or email with specific questions.

- Phone: (203) 359-1660
- Fax: (203) 359-7700
- Email: das@omega.com

Hazardous voltages

You can connect hazardous voltages to the OM-USB-2404-UI device's spring terminals. A hazardous voltage is a voltage greater than 42.4 V_{pk} or 60 VDC to earth ground. Take the following precautions if you connect hazardous voltages to the OM-USB-2404-UI:

Caution! Ensure that hazardous voltage wiring is performed only by qualified personnel adhering to local electrical standards.

Do not mix hazardous voltage circuits and human-accessible circuits on the same device.

Make sure that devices and circuits connected to the OM-USB-2404-UI are properly insulated from human contact.

When device terminals are hazardous voltage LIVE (>42.4V_{pk}/60 VDC), ensure that devices and circuits connected to the OM-USB-2404-UI are properly insulated from human contact. A high voltage screw terminal backshell (OM-ACC-176) must be installed when using hazardous voltages to ensure that the terminals are not accessible.

Hazardous locations

The OM-USB-2404-UI is not certified for use in hazardous locations.

Introducing the OM-USB-2404-UI

The OM-USB-2404-UI is a USB 2.0 high-speed device that is supported under popular Microsoft® Windows® operating systems. The OM-USB-2404-UI is fully compatible with both USB 1.1 and USB 2.0 ports.

The OM-USB-2404-UI provides four channels of 24-bit universal analog input with integrated signal conditioning. The device can be used to measure several signals from sensors such as RTDs, thermocouples, load cells, and other powered sensors. The four channels are individually configurable, so a different measurement type can be performed on each channel. All channels are measured simultaneously at up to 100 S/s per channel.

The OM-USB-2404-UI can perform the following measurements:

- Voltage
- Current
- Thermocouple
- RTD (4-wire and 3-wire)
- Resistance (4-wire and 2-wire)
- Bridge-based sensors (quarter-, half-, and full-bridge)

Measurement ranges vary for each type of measurement.

The device features built-in current and voltage excitation. The excitation circuit is protected from overcurrent and overvoltage fault conditions. Each channel also has a built-in thermistor for cold-junction compensation (CJC) calculations when measuring thermocouples.

An analog pre-filter removes noise that may be present in the signals prior to conversion. With 250 VAC channel-to-channel and channel-to-ground isolation, the OM-USB-2404-UI protects the individual channels and connected computer from ground spikes, and ensures a reliable data stream. An on-board LED indicates the status of the device.

Each channel has a detachable six-position spring terminal for field wiring connections. Additional connectors are available for purchase. A strain relief kit is also available to secure signal wires.

The USB 2.0 high-speed driver transfers data at rates up to 480 Mbps. The OM-USB-2404-UI is powered by the +5 volt USB supply from your computer. No external power is required.

Functional block diagram

OM-USB-2404-UI functions are illustrated in the block diagram shown here.

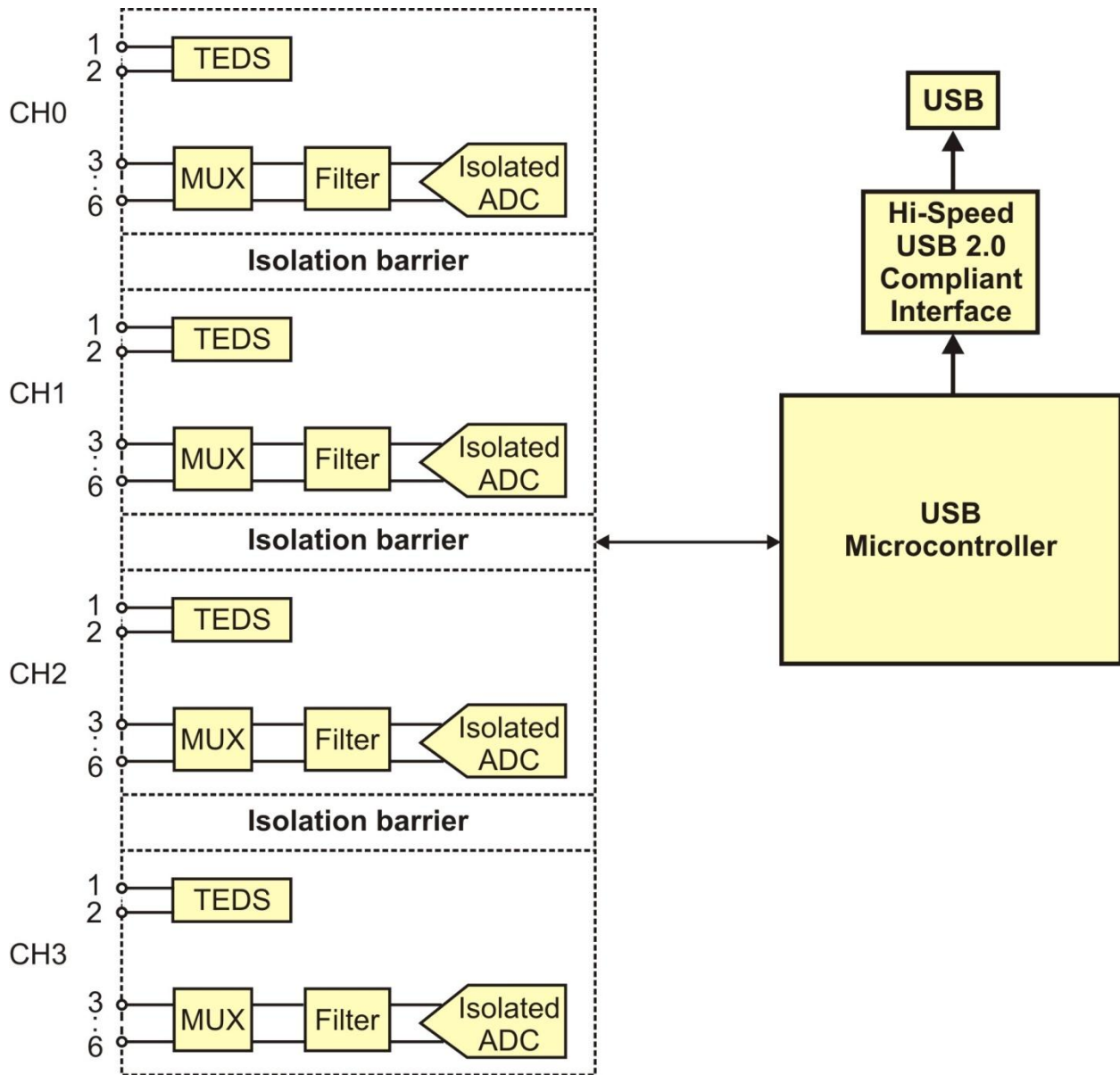


Figure 1. OM-USB-2404-UI functional block diagram

Installing the OM-USB-2404-UI

What comes with your shipment?

Hardware

- OM-USB-2404-UI
- USB cable

Software

- Software for OMB-DAQ-2400, OM-USB, OM-WEB, and OM-WLS Series Data Acquisition Modules CD

Documentation

In addition to this hardware user's guide, you should also receive the *OMB-DAQ-2400, OM-USB, OM-WEB, and OM-WLS Series Data Acquisition Software User's Guide*. This booklet provides an overview of the software you received with the device, and includes information about installing the software.

Optional accessories

- OM-ACC-164 — Six-position screw terminal connector blocks (quantity four).
- OM-ACC-176 — Backshell for use with the OM-ACC-164 six-position spring terminal connector blocks. Provides strain relief and operator protection from high-voltage signals (quantity four).

Unpacking

As with any electronic device, take care while handling to avoid damage from static electricity. Before removing the device from its packaging, ground yourself using a wrist strap or by simply touching the computer chassis or other grounded object to eliminate any stored static charge.

If any components are missing or damaged, notify Omega Engineering immediately by phone, fax, or e-mail.

- Phone: (203) 359-1660
- Fax: (203) 359-7700
- Email: das@omega.com

Installing the software

Refer to the *Software for OMB-DAQ-2400, OM-USB, OM-WEB, and OM-WLS Series Data Acquisition Modules User's Guide* for instructions on installing the software. This booklet is available in PDF at <http://www.omega.com/manuals/manualpdf/M4803.pdf>.

Installing the hardware

Install the software before you install your device

The driver needed to run the OM-USB-2404-UI is installed when you install the software. Therefore, you need to install the software you plan to use before you install the hardware.

To connect a OM-USB-2404-UI device to your system, turn on your computer and connect the USB cable to an available USB port on the computer or to an external USB hub connected to the computer. Connect the other end of the USB cable to the USB connector on the device. No external power is required.

When you connect the device for the first time, a **Found New Hardware** dialog opens when the operating system detects the device. The dialog closes after the device is installed.

The OM-USB-2404-UI LED blinks continuously to indicate that the device is initialized and receiving power.

Allow the OM-USB-2404-UI to operate for at least 30 minutes before using the device. This warm up time is required to achieve the specified rated accuracy of measurements.

USB 2.0 port or hub recommended

For optimum performance, connect the OM-USB-2404-UI to a USB 2.0 Hi-Speed host controller (480 Mbps) and USB 2.0 high-speed hub. The OM-USB-2404-UI can be connected to a USB 1.1 Full-Speed port or hub, although performance may be affected.

Caution! Do not disconnect any device from the USB bus while the computer is communicating with the OM-USB-2404-UI, or you may lose data and/or your ability to communicate with the device.

If the LED is off

If the LED is on but then turns off, the computer has lost communication with the OM-USB-2404-UI device. To restore communication, disconnect the USB cable from the computer and then reconnect it. This should restore communication, and the LED should turn on.

Calibrating the OM-USB-2404-UI

The OM-USB-2404-UI is shipped fully calibrated. Calibration coefficients are stored in EEPROM. Return the device to Omega Engineering when calibration is required. The normal calibration interval is once per year.

Functional Details

Components

The OM-USB-2404-UI has the following external components:

- Spring terminal connectors
- Strain relief slot for USB cable
- USB connector
- LED

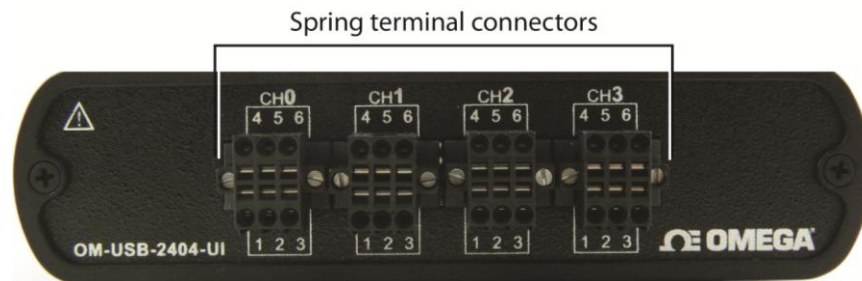


Figure 2. Front panel

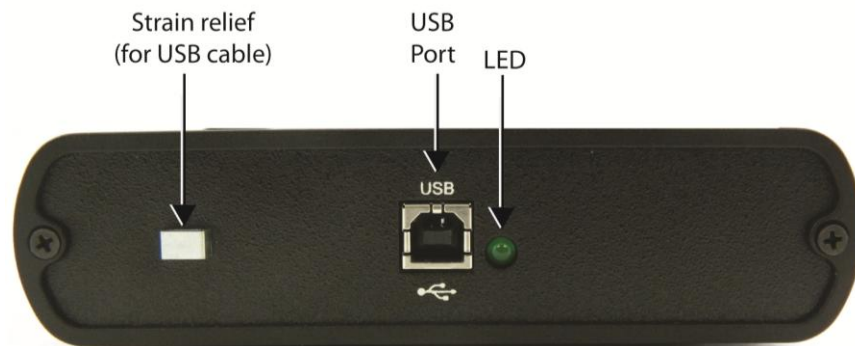


Figure 3. Rear panel

Spring terminals

The OM-USB-2404-UI has four 6-terminal connectors (CH0 to CH3) that provide connections for four analog input channels. The signal names for the spring terminal in each connector are listed in the table below.

6-terminal connector signal names

Terminal number	Signal name	Signal description
1	T+	TEDS Data
2	T-	TEDS Common
3*	EX+/HI	Positive excitation or input signal
4	HI	Positive input signal
5*	EX-/LO	Negative excitation or input signal
6	LO	Negative input signal

* Depending on the input mode, terminals 3 and 5 are either excitation signals or input signals.

- Connect the positive signal of the signal source to the positive input signal terminal (**HI**).
- Connect the negative signal of the signal source to the negative input signal terminal (**LO**).

- Connect to the excitation terminals (**EX+**/**EX-**)-if the sensor requires a separate excitation connection.

The spring terminal assignments for each input mode are listed in the following table.

6-position spring terminal assignments per input mode

Terminal	Voltage TC	Current	Bridge			Resistance		RTD	
			Full	Half	Quarter	2-wire	4-wire	4-wire	3-wire
3	—	HI	EX+	EX+	HI		EX+		EX+
4	HI	—	HI	HI	—		HI		—
5	LO	LO	EX-	EX-	LO		EX-		EX-
6	—	—	LO	LO	—		LO		LO

Refer to "OM-USB-2404-UI circuitry" on page 13 for information about connections in each mode.

Strain relief slot

Use the strain relief slot to keep the USB cable from disconnecting from the device inadvertently. Feed a tie wrap through the slot and secure to the USB cable when it is connected to the device.

USB connector

The USB connector provides +5 V power and communication. The voltage supplied through the USB connector is system-dependent, and may be less than 5 V. No external power supply is required.

LED

The LED indicates the device status. When connected to a USB port, the LED blinks steadily to indicate that the device is initialized and receiving power. The following table lists the possible LED states.

LED state/device status

LED state	Device status
Off	The device is not connected to a USB port or hub.
Continuous single-blink	The device is operating normally.
Continuous double-blink	The device is operating normally. (Connected to a USB 1.1 port or hub.)

Connecting wires to the spring terminals

Use a flathead screwdriver with a blade smaller than 2.3×1.0 mm (0.09×0.04 in.) to connect wires to the detachable spring terminal connectors. Use 18 to 28 AWG copper conductor wire with 7 mm (0.28 in.) of insulation stripped from the end when wiring connections.

Insert the screwdriver into the spring clamp activation slot and press a wire into the corresponding connector terminal, then remove the screwdriver to clamp the wire into the terminal.

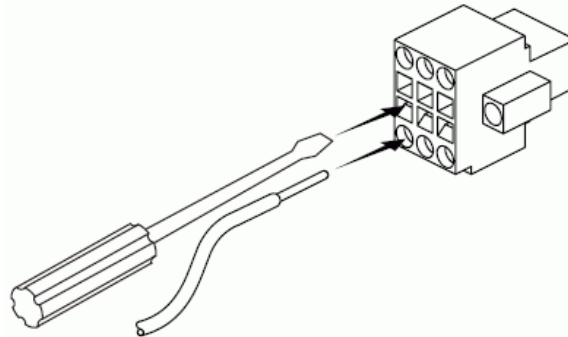


Figure 4. Connecting a wire to the spring terminal connector

TEDS sensor connections

The OM-USB-2404-UI supports class II TEDS "smart" sensors only. Connect the two TEDS lines to **TEDS Data (T+)** and **TEDS Common (T-)**, and ensure that neither T+ nor T- is tied in common to any of the signal inputs (terminals 3 through 6).

Signal source connections

You can connect ground-referenced or floating signal sources to the OM-USB-2404-UI. For optimum signal quality, use shielded cables and twisted pair wiring whenever possible.

When making a floating connection between the signal source and the OM-USB-2404-UI, make sure the voltages on the positive and negative connections are within the channel-to-earth voltage range. Refer to the *Specifications* chapter for operating voltages and information about overvoltage protection.

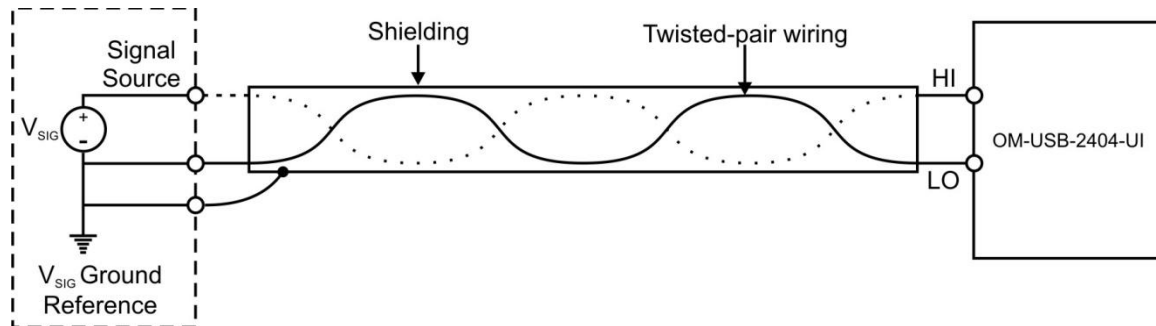


Figure 5. Connecting a grounded signal source

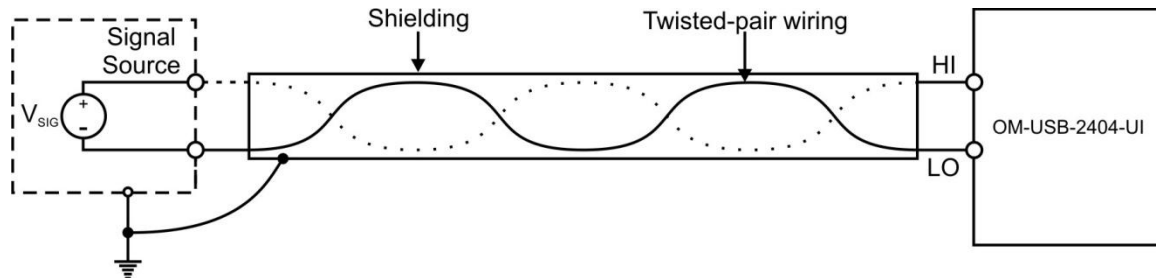


Figure 6. Connecting a floating signal source

Don't connect to signals or use for measurements within category III or IV

Refer to the "Safety voltages" section in the *Specifications* chapter for information about Measurement Categories.

Timing options

The OM-USB-2404-UI supports four timing options. Each option is optimized for different types of applications by using different ADC conversion times.

- **High Speed:** optimized for high-speed applications at the expense of noise rejection.
- **Best 60 Hz Rejection:** optimized for rejection of 60 Hz noise.
- **Best 50 Hz Rejection:** optimized for rejection of 50 Hz noise.
- **High Resolution:** optimized for maximum overall noise rejection, and provides a good rejection of both 50 Hz and 60 Hz noise.

Refer to the analog input specifications for the conversion time and rejection ratio of each option.

OM-USB-2404-UI circuitry

Analog input circuitry

The OM-USB-2404-UI is channel-to-channel isolated. Four 24-bit analog-to-digital converters (ADCs) simultaneously sample all four analog input channels. An excitation circuit is enabled for all input modes that require excitation. The ADC and excitation circuits are reconfigured in each mode to accommodate each sensor type. Figure 7 shows the input circuitry for one channel.

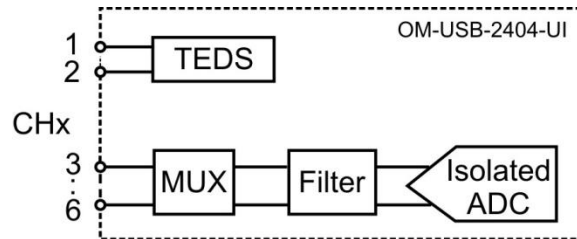


Figure 7. Input circuitry for one channel

Voltage and current modes

In voltage and current modes, connect the signal source to the OM-USB-2404-UI across the HI and LO terminals. The current is computed from the voltage that the ADC measures across an internal shunt resistor. Voltage and current mode connections are shown in Figure 8.

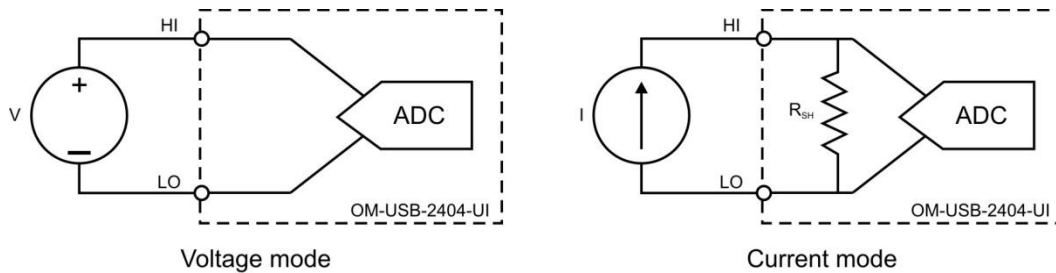


Figure 8. Voltage and current mode connections

4-wire resistance and 4-wire RTD modes

4-wire resistance and 4-wire RTD modes source a current which varies based on the resistance of the load between the EX+ and EX- terminals. The measured resistance is calculated from the resulting voltage reading.

These modes are not affected by lead wire resistance, because a negligible amount of current flows across the HI and LO terminals due to the high impedance of the ADC. 4-wire resistance and 4-wire RTD mode connections are shown in Figure 9.

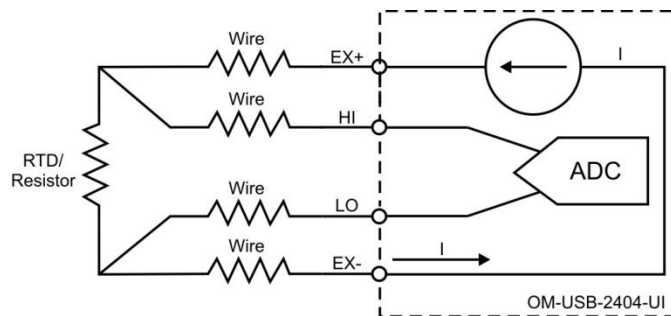


Figure 9. 4-wire resistance and 4-wire RTD mode connections

3-wire RTD mode

3-wire RTD mode sources a current which varies based on the resistance of the load between the EX+ and EX- terminals. This mode compensates for lead wire resistance in hardware if all lead wires have the same resistance. A gain of 2x is applied to the voltage across the negative lead wire. The ADC uses this voltage as the negative reference to cancel the resistance error across the positive lead wire. 3-wire RTD mode connections are shown in Figure 10.

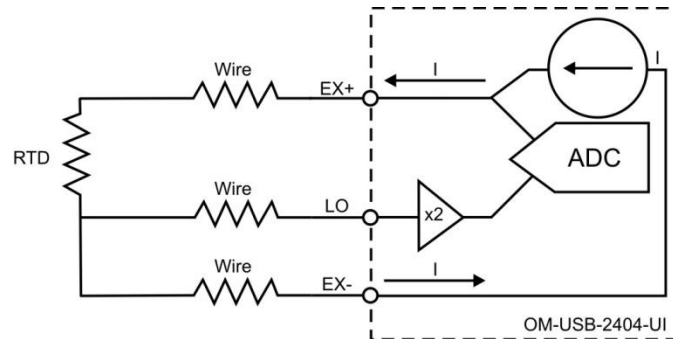


Figure 10. 3-wire RTD mode connections

2-wire resistance and quarter-bridge modes

In 2-wire resistance and quarter-bridge modes, connect the two ends of the resistor or gauge to the OM-USB-2404-UI across the HI and LO terminals. These modes source a current which varies based on the resistance of the load between the HI and LO terminals. The resulting resistance is calculated from the voltage measurement. 2-wire and quarter-bridge modes do not compensate for lead wire resistance. 2-wire resistance and quarter-bridge mode connections are shown in Figure 11.

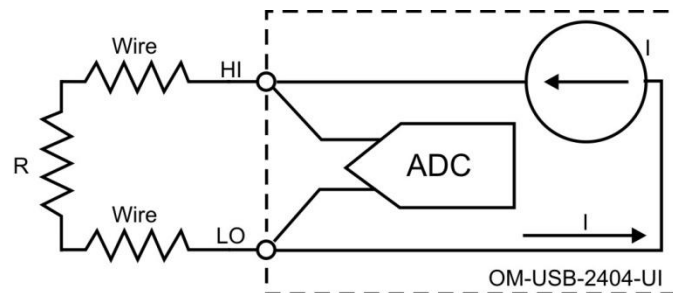


Figure 11. 2-wire resistance and quarter-bridge mode connections

Half-bridge and full-bridge modes

Half-bridge and full-bridge modes use the internal voltage excitation to set the input range of the ADC, and return voltage readings that are proportional to the excitation level. The internal excitation voltage is nominally 2.5 V, but it can vary based on the resistance of the sensor. Refer to the *Specifications* chapter for more information about excitation levels.

In half-bridge mode, the HI input is referenced to EX-. In full-bridge mode, the ADC reads the HI and LO inputs differentially.

Half-bridge and full-bridge mode connections are shown in Figure 12. The dotted lines in the figure represent the portion of the circuit that is only connected in full-bridge mode.

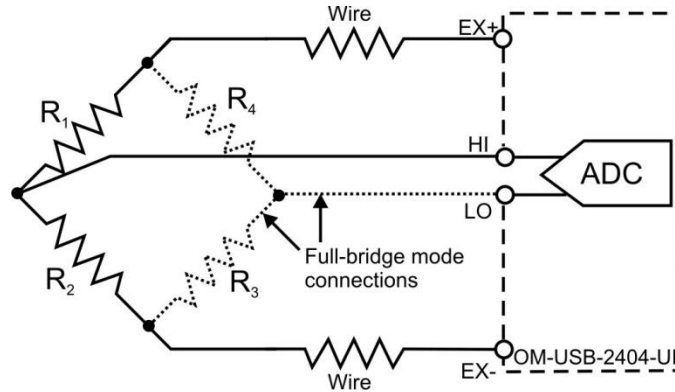


Figure 12. Half-bridge and full-bridge mode connections

Thermocouple mode

In thermocouple mode, connect the positive end of the thermocouple to HI, and the negative end of the thermocouple to LO. This mode uses the ± 1.25 mV range of the ADC to return a voltage reading. Use shielded cables and twisted pair wiring, and ground the shielded cables.

Each channel has a built-in thermistor for cold-junction compensation (CJC) calculations. For improved CJC sensor accuracy, operate the OM-USB-2404-UI in a stable temperature environment, and avoid placing heat sources near the device or its connectors. Open thermocouple detection is not supported. Refer to the *Specifications* chapter for more information about accuracy. Thermocouple mode connections are shown in Figure 13.

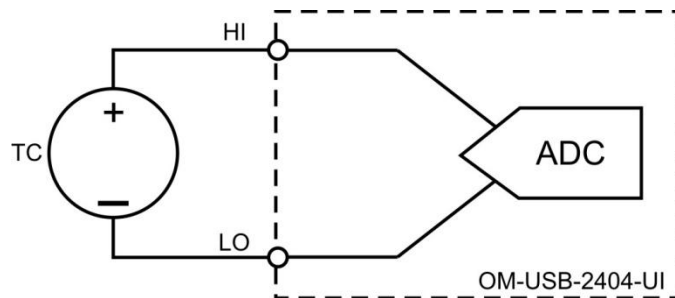


Figure 13. Thermocouple mode connections

Excitation protection

The OM-USB-2404-UI excitation circuit is protected from overcurrent and overvoltage fault conditions. The circuit is automatically disabled in the event of a fault condition. Whenever possible, channels automatically recover after the fault is removed.

Specifications

All specifications are subject to change without notice.
Typical for the range 0 to 60 °C unless otherwise noted.

Analog input

Table 1. Analog input specifications

Parameter	Conditions	Specification
Number of channels		4
A/D converter resolution		24-bit
A/D converter type		Delta-Sigma with analog pre-filtering
Sampling mode		Simultaneous
TEDS sensor type supported		IEEE 1451.4 TEDS Class II (interface)
Input mode		<ul style="list-style-type: none"> ■ Voltage ■ Current ■ Resistance (4-wire and 2-wire) ■ RTD (3-wire and 4-wire) ■ Thermocouple ■ Quarter-bridge ■ Half-bridge ■ Full-bridge
Conversion time (No channels in TC mode)	High speed	10 ms for all channels
	Best 60 Hz rejection	110 ms for all channels
	Best 50 Hz rejection	130 ms for all channels
	High resolution	500 ms for all channels
Conversion time (One or more channels in TC mode)	High speed	20 ms for all channels
	Best 60 Hz rejection	120 ms for all channels
	Best 50 Hz rejection	140 ms for all channels
	High resolution	510 ms for all channels
Overvoltage protection	Terminals 1 and 2	±30 V
	Terminals 3 through 6, across any combination	±60 V
Input impedance	Voltage mode (±60 V, ±15 V, ±4 V)	1 MΩ
	Current mode	<40 Ω
	All other modes	>1 GΩ
Input bias current		<1 nA
Integral non-linearity (INL)		±15 ppm
Common mode rejection ratio (CMRR)	$f_{in} = 60$ Hz	>100 dB
Normal mode rejection ratio (NMRR)	Best 60 Hz rejection	90 dB at 60 Hz
	Best 50 Hz rejection	80 dB at 50 Hz
	High resolution	65 dB at 50 Hz and 60 Hz

Input mode ranges

Table 2. Input mode range specifications

Input mode	Nominal range(s)	Actual range(s)
Voltage	± 60 V, ± 15 V, ± 4 V, ± 1 V, ± 125 mV	± 60 V, ± 15 V, ± 4 V, ± 1 V, ± 125 mV
Current	± 25 mA	± 25 mA
4-wire and 2-wire resistance	10 k Ω , 1 k Ω	10.5 k Ω , 1.05 k Ω
Thermocouple	± 125 mV	± 125 mV
4-wire and 3-wire RTD	Pt 1000, Pt 100	5.05 k Ω , 505 Ω
Quarter-bridge	350 Ω , 120 Ω	390 Ω , 150 Ω
Half-bridge	± 500 mV/V	± 500 mV/V
Full-bridge	± 62.5 mV/V, ± 7.8 mV/V	± 62.5 mV/V, ± 7.8125 mV/V

Accuracy

Table 3. Accuracy specifications

Mode, range	Gain error (percent of reading)	Offset error (ppm of range)
	Typical 25 °C, ± 5 °C, -40 to 70 °C maximum	
Voltage, ± 60 V	± 0.3 , ± 0.4	± 20 , ± 50
Voltage, ± 15 V	± 0.3 , ± 0.4	± 60 , ± 180
Voltage, ± 4 V	± 0.3 , ± 0.4	± 240 , ± 720
Voltage, ± 1 V	± 0.1 , ± 0.18	± 15 , ± 45
Voltage/Thermocouple, ± 125 mV	± 0.1 , ± 0.18	± 120 , ± 360
Current, ± 25 mA	± 0.1 , ± 0.6	± 30 , ± 100
4-wire and 2-wire (note 1) resistance, 10 k Ω	± 0.1 , ± 0.5	± 120 , ± 320
4-wire and 2-wire (note 1) resistance, 1 k Ω	± 0.1 , ± 0.5	± 1200 , ± 3200
4-wire and 3-wire RTD, Pt 1000	± 0.1 , ± 0.5	± 240 , ± 640
4-wire and 3-wire RTD, Pt 100	± 0.1 , ± 0.5	± 2400 , ± 6400
Quarter-bridge, 350 Ω	± 0.1 , ± 0.5	± 2400 , ± 6400
Quarter-bridge, 120 Ω	± 0.1 , ± 0.5	± 2400 , ± 6400
Half-bridge, ± 500 mV/V	± 0.03 , ± 0.07	± 300 , ± 450
Full-bridge, ± 62.5 mV/V	± 0.03 , ± 0.08	± 300 , ± 1000
Full-bridge, ± 7.8 mV/V	± 0.03 , ± 0.08	± 2200 , ± 8000
Cold-junction compensation sensor accuracy		± 1 °C, typical

Note 1: 2-wire resistance mode accuracy depends on the lead wire resistance. This table assumes 0 Ω of lead wire resistance.

Stability

Table 4. Stability specifications

Measurement conditions	Gain drift (ppm of reading/ °C)	Offset drift (ppm of range/ °C)
Voltage, ± 60 V	± 20	± 0.2
Voltage, ± 15 V	± 20	± 0.8
Voltage, ± 4 V	± 20	± 3.2
Voltage, ± 1 V	± 10	± 0.2
Voltage/thermocouple, ± 125 mV	± 10	± 1.6
Current, ± 25 mA	± 15	± 0.4
4-wire and 2-wire resistance, 10 k Ω	± 15	± 3
4-wire and 2-wire resistance, 1 k Ω	± 15	± 30

4-wire and 3-wire RTD, Pt 1000	±15	±6
4-wire and 3-wire RTD, Pt 100	±15	±60
Quarter-bridge, 350 Ω	±15	±120
Quarter-bridge, 120 Ω	±15	±240
Half-bridge, ±500 mV/V	±3	±20
Full-bridge, ±62.5 mV/V	±3	±20
Full-bridge, ±7.8 mV/V	±3	±20

Input noise

Table 5. Input noise (ppm of range_{rms}) specifications

Mode, range	Conversion time			
	High speed	Best of 60 Hz rejection	Best of 50 Hz rejection	High resolution
Voltage, ±60 V	7.6	1.3	1.3	0.5
Voltage, ±15 V	10.8	1.9	1.9	0.7
Voltage, ±4 V	10.8	2.7	2.7	1.3
Voltage, ±1 V	7.6	1.3	1.3	0.5
Voltage/Thermocouple, ±125 mV	10.8	1.9	1.9	1.0
Current, ±25 mA	10.8	1.9	1.9	1.0
4-wire and 2-wire resistance, 10 kΩ	4.1	1.3	0.8	0.3
4-wire and 2-wire resistance, 1 kΩ	7.1	1.8	1.2	0.7
4-wire and 3-wire RTD, Pt 1000	7.6	1.7	1.1	0.4
4-wire and 3-wire RTD, Pt 100	10.8	1.9	1.9	0.9
Quarter-bridge, 350 Ω	5.4	1.0	1.0	0.7
Quarter-bridge, 120 Ω	5.4	1.0	1.0	0.7
Half-bridge, ±500 mV/V	3.8	0.5	0.5	0.2
Full-bridge, ±62.5 mV/V	5.4	1.0	1.0	0.8
Full-bridge, ±7.8 mV/V	30	4.7	4.7	2.3

Excitation level

Table 6. Half-bridge and full-bridge mode excitation level specifications

Measurement conditions	Load resistance (Ω)	Excitation (V)
Half-bridge	700	2.5
Half-bridge	240	2.0
Full-bridge	350	2.7
Full-bridge	120	2.2

Table 7. Resistance, RTD, and quarter-bridge mode excitation level specifications

Load resistance (Ω)	Excitation (mV)
120	50
350	150
1,000	430
10,000	2,200

Power

Table 8. Power specifications

Parameter	Specification
Current consumption from USB	500 mA, maximum

Bus interface

Table 9. Bus interface specifications

Parameter	Specification
USB specification	USB 2.0 Hi-Speed

Environmental

Table 10. Environmental specifications

Parameter	Specification
Operating temperature range	0 to 60 °C
Storage temperature range	-40 to 85 °C
Operating humidity	10 to 90% RH, non-condensing
Storage humidity	5 to 95% RH, non-condensing
Maximum altitude	2000 meter (6562 feet)

Note 2: The OM-USB-2404-UI is intended for indoor use only, but may be used outdoors if installed in a suitable enclosure

Mechanical

Table 11. Mechanical specifications

Parameter	Specification
Dimensions	5.27" (L) x 5.64" (W) x 1.54" (H) (134 mm x 143 mm x 39 mm)
Weight	1.25 lbs (567 grams)

Safety voltages

Connect only voltages that are within the limits specified in this table.

Table 12. Safety specifications

Parameter	Conditions	Specification
Channel-to-earth ground isolation	Continuous	250 VAC, Measurement Category II (Note 3)
	Withstand	2300 VAC, verified by a 5 second dielectric withstand test
Channel-to-channel isolation	Continuous	250 VAC, Measurement Category II (Note 3)
	Withstand	1390 VAC, verified by a 5 second dielectric withstand test

Note 3: Measurement Category II is for measurements performed on circuits directly connected to the electrical distribution system. This category refers to local-level electrical distribution, such as that provided by a standard wall outlet, for example 115 V for US or 230 V for Europe.

Caution! Do *not* connect the device to signals or use for measurements within Measurement Categories III or IV.

Spring terminal connectors

Table 13. Spring terminal specifications

Connector type	Four 6-position spring terminal connectors
Spring terminal wiring	18 to 28 AWG copper conductor wire with 7 mm (0.28 in.) of insulation stripped from the end.

Table 14. Signal names

Terminal number	Signal name	Signal description
1	T+	TEDS Data
2	T-	TEDS Common
3	EX+/HI (Note 4)	Positive excitation or input signal
4	HI	Positive input signal
5	EX-/LO (Note 4)	Negative excitation or input signal
6	LO	Negative input signal

Note 4: Depending on the input mode, terminals 3 and 5 are either excitation signals or input signals.

Table 15. Terminal assignments per input mode

Input mode	Signal terminals					
	1	2	3	4	5	6
Voltage	T+	T-	—	HI	LO	—
Current	T+	T-	HI	—	LO	—
4-wire resistance	T+	T-	EX+	HI	EX-	LO
2-wire resistance	T+	T-	HI	—	LO	—
Thermocouple	T+	T-	—	HI	LO	—
4-wire RTD	T+	T-	EX+	HI	EX-	LO
3-wire RTD	T+	T-	EX+	—	EX-	LO
Quarter-bridge	T+	T-	HI	—	LO	—
Half-bridge	T+	T-	EX+	HI	EX-	—
Full-bridge	T+	T-	EX+	HI	EX-	LO

Accessory products

Table 16. Accessory products

ACC-164	6-position spring terminal connector block (quantity four)
ACC-176	Backshell for use with the ACC-164 6-position spring terminal connector blocks. Provides strain relief and operator protection from high-voltage signals (quantity four).

WARRANTY/DISCLAIMER

OMEGA ENGINEERING, INC. warrants this unit to be free of defects in materials and workmanship for a period of **13 months** from date of purchase. OMEGA's WARRANTY adds an additional one (1) month grace period to the normal **one (1) year product warranty** to cover handling and shipping time. This ensures that OMEGA's customers receive maximum coverage on each product.

If the unit malfunctions, it must be returned to the factory for evaluation. OMEGA's Customer Service Department will issue an Authorized Return (AR) number immediately upon phone or written request. Upon examination by OMEGA, if the unit is found to be defective, it will be repaired or replaced at no charge. OMEGA's WARRANTY does not apply to defects resulting from any action of the purchaser, including but not limited to mishandling, improper interfacing, operation outside of design limits, improper repair, or unauthorized modification. This WARRANTY is VOID if the unit shows evidence of having been tampered with or shows evidence of having been damaged as a result of excessive corrosion; or current, heat, moisture or vibration; improper specification; misapplication; misuse or other operating conditions outside of OMEGA's control. Components in which wear is not warranted, include but are not limited to contact points, fuses, and triacs.

OMEGA is pleased to offer suggestions on the use of its various products. However, OMEGA neither assumes responsibility for any omissions or errors nor assumes liability for any damages that result from the use of its products in accordance with information provided by OMEGA, either verbal or written. OMEGA warrants only that the parts manufactured by the company will be as specified and free of defects. OMEGA MAKES NO OTHER WARRANTIES OR REPRESENTATIONS OF ANY KIND WHATSOEVER, EXPRESSED OR IMPLIED, EXCEPT THAT OF TITLE, AND ALL IMPLIED WARRANTIES INCLUDING ANY WARRANTY OF MERCHANTABILITY AND FITNESS FOR A PARTICULAR PURPOSE ARE HEREBY DISCLAIMED. LIMITATION OF LIABILITY: The remedies of purchaser set forth herein are exclusive, and the total liability of OMEGA with respect to this order, whether based on contract, warranty, negligence, indemnification, strict liability or otherwise, shall not exceed the purchase price of the component upon which liability is based. In no event shall OMEGA be liable for consequential, incidental or special damages.

CONDITIONS: Equipment sold by OMEGA is not intended to be used, nor shall it be used: (1) as a "Basic Component" under 10 CFR 21 (NRC), used in or with any nuclear installation or activity; or (2) in medical applications or used on humans. Should any Product(s) be used in or with any nuclear installation or activity, medical application, used on humans, or misused in any way, OMEGA assumes no responsibility as set forth in our basic WARRANTY/DISCLAIMER language, and, additionally, purchaser will indemnify OMEGA and hold OMEGA harmless from any liability or damage whatsoever arising out of the use of the Product(s) in such a manner.

RETURN REQUESTS/INQUIRIES

Direct all warranty and repair requests/inquiries to the OMEGA Customer Service Department. BEFORE RETURNING ANY PRODUCT(S) TO OMEGA, PURCHASER MUST OBTAIN AN AUTHORIZED RETURN (AR) NUMBER FROM OMEGA'S CUSTOMER SERVICE DEPARTMENT (IN ORDER TO AVOID PROCESSING DELAYS). The assigned AR number should then be marked on the outside of the return package and on any correspondence.

The purchaser is responsible for shipping charges, freight, insurance and proper packaging to prevent breakage in transit.

FOR **WARRANTY** RETURNS, please have the following information available BEFORE contacting OMEGA:

1. Purchase Order number under which the product was PURCHASED,
2. Model and serial number of the product under warranty, and
3. Repair instructions and/or specific problems relative to the product.

FOR **NON-WARRANTY** REPAIRS, consult OMEGA for current repair charges. Have the following information available BEFORE contacting OMEGA:

1. Purchase Order number to cover the COST of the repair,
2. Model and serial number of the product, and
3. Repair instructions and/or specific problems relative to the product.

OMEGA's policy is to make running changes, not model changes, whenever an improvement is possible. This affords our customers the latest in technology and engineering.

OMEGA is a registered trademark of OMEGA ENGINEERING, INC.

© Copyright 2014 OMEGA ENGINEERING, INC. All rights reserved. This document may not be copied, photocopied, reproduced, translated, or reduced to any electronic medium or machine-readable form, in whole or in part, without the prior written consent of OMEGA ENGINEERING, INC.

Where Do I Find Everything I Need for Process Measurement and Control?

OMEGA...Of Course!

Shop online at omega.comSM

TEMPERATURE

- Thermocouple, RTD & Thermistor Probes, Connectors, Panels & Assemblies
- Wire: Thermocouple, RTD & Thermistor
- Calibrators & Ice Point References
- Recorders, Controllers & Process Monitors
- Infrared Pyrometers

PRESSURE, STRAIN AND FORCE

- Transducers & Strain Gages
- Load Cells & Pressure Gages
- Displacement Transducers
- Instrumentation & Accessories

FLOW/LEVEL

- Rotameters, Gas Mass Flowmeters & Flow Computers
- Air Velocity Indicators
- Turbine/Paddlewheel Systems
- Totalizers & Batch Controllers

pH/CONDUCTIVITY

- pH Electrodes, Testers & Accessories
- Benchtop/Laboratory Meters
- Controllers, Calibrators, Simulators & Pumps
- Industrial pH & Conductivity Equipment

DATA ACQUISITION

- Data Acquisition & Engineering Software
- Communications-Based Acquisition Systems
- Plug-in Cards for Apple, IBM & Compatibles
- Data Logging Systems
- Recorders, Printers & Plotters

HEATERS

- Heating Cable
- Cartridge & Strip Heaters
- Immersion & Band Heaters
- Flexible Heaters
- Laboratory Heaters

ENVIRONMENTAL MONITORING AND CONTROL

- Metering & Control Instrumentation
- Refractometers
- Pumps & Tubing
- Air, Soil & Water Monitors
- Industrial Water & Wastewater Treatment
- pH, Conductivity & Dissolved Oxygen Instruments