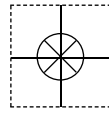


1 YEAR
WARRANTY



User's Guide

Shop online at

omega.com[®]

Ω OMEGA[®]

omega.com

e-mail: info@omega.com

For latest product manuals:

omegamanual.info

ISO 9001
CERTIFIED
CORPORATE QUALITY

STAMFORD, CT

ISO 9001
CERTIFIED
CORPORATE QUALITY

MANCHESTER, UK

FPUD Series
Drum Pump Motors



OMEGAnet® Online Service omega.com	Internet e-mail info@omega.com
---	---

Servicing North America:

U.S.A.: Omega Engineering, Inc., One Omega Drive, P.O. Box 4047
ISO 9001 Certified Stamford, CT 06907-0047 USA
Toll Free: 1-800-826-6342 TEL: (203) 359-1660
FAX: (203) 359-7700 e-mail: info@omega.com

Canada: 976 Bergar
Laval (Quebec), Canada H7L 5A1
Toll-Free: 1-800-826-6342 TEL: (514) 856-6928
FAX: (514) 856-6886 e-mail: info@omega.ca

For immediate technical or application assistance:

U.S.A. and Canada: Sales Service: 1-800-826-6342/1-800-TC-OMEGA®
Customer Service: 1-800-622-2378/1-800-622-BEST®
Engineering Service: 1-800-872-9436/1-800-USA-WHEN®

Mexico: En Español: 001 (203) 359-7803 FAX: (001) 203-359-7807
info@omega.com.mx e-mail: espanol@omega.com

Servicing Europe:

Benelux: Managed by the United Kingdom Office
Toll-Free: 0800 099 3344 TEL: +31 20 347 21 21
FAX: +31 20 643 46 43 e-mail: sales@omega.nl

Czech Republic: Frystatska 184
733 01 Karviná, Czech Republic
Toll-Free: 0800-1-66342 TEL: +420-59-6311899
FAX: +420-59-6311114 e-mail: info@omegashop.cz

France: Managed by the United Kingdom Office
Toll-Free: 0800 466 342 TEL: +33 (0) 161 37 29 00
FAX: +33 (0) 130 57 54 27 e-mail: sales@omega.fr

Germany/Austria: Daimlerstrasse 26
D-75392 Deckenpfronn, Germany
Toll-Free: 0 800 6397678 TEL: +49 (0) 7059 9398-0
FAX: +49 (0) 7056 9398-29 e-mail: info@omega.de

United Kingdom: OMEGA Engineering Ltd.
ISO 9001 Certified One Omega Drive, River Bend Technology Centre, Northbank
Irlam, Manchester M44 5BD England
Toll-Free: 0800-488-488 TEL: +44 (0)161 777-6611
FAX: +44 (0)161 777-6622 e-mail: sales@omega.co.uk

It is the policy of OMEGA Engineering, Inc. to comply with all worldwide safety and EMC/EMI regulations that apply. OMEGA is constantly pursuing certification of its products to the European New Approach Directives. OMEGA will add the CE mark to every appropriate device upon certification. The information contained in this document is believed to be correct, but OMEGA accepts no liability for any errors it contains, and reserves the right to alter specifications without notice.
WARNING: These products are not designed for use in, and should not be used for, human applications.

TABLE OF CONTENTS

TABLA DE CONTENIDO

Safety Precautions.....	4	Precauciones de Seguridad	4
Maintenance Precautions	4	Precauciones de Mantenimiento	4
Installation.....	5	Instalación	5
FPUD311& FPUD311A Models.....	6	Modelos FPUD311& FPUD311A.....	6
Assembly Drawing and Parts List		Dibujo de Armadura y Lista de Partes	
FPUD362 Models	7	Modelos FPUD362	7
Assembly Drawing and Parts List		Dibujo de Armadura y Lista de Partes	
FPUD411 & FPUD421 Models	8	Modelos FPUD411 & FUD421	8
Assembly Drawing and Parts List		Dibujo de Armadura y Lista de Partes	
FPUD431 Model.....	9	Modelo FPUD431	9
Assembly Drawing and Parts List		Dibujo de Armadura y Lista de Partes	
FPUD331Model.....	10	Modelo FPUD331	10
Assembly Drawing and Parts List		Dibujo de Armadura y Lista de Partes	
FPUD500 Models	11	Modelo FPUD500	11
Assembly Drawing		Dibujo de Armadura y Lista de Partes	

SAFETY PRECAUTIONS

ALWAYS wear protective clothing, eye protection and follow standard safety procedures when handling corrosive or personally harmful materials.

NEVER use a plastic pump or an open, splashproof or TEFC motors when pumping or mixing flammable or combustible material.

ALWAYS use and store in an upright position.

NEVER immerse motor in liquid.

ALWAYS place motor in the OFF position prior to connecting the power source.

ALWAYS check motor label plate for the correct power supply requirements.

ALWAYS use an approved plug for Class I, Division 1, Group C & D applications on the explosionproof motors.

Noise level at a distance of 3 feet:

FPUD311 & FPUD311-A Series	73 db (Splash proof)
FPUD362	77 db (Totally enclosed fan cooled)
FPUD431 (Air)	85 db (800 watt)

MAINTENANCE PRECAUTIONS

ALWAYS store motor upright and away from corrosive liquids and vapors.

ALWAYS use an automatic air line lubricator, moisture trap and filter in the airline ahead of an air motor. (Use detergent SAE #10 in lubricator). Do not exceed 80 psi (551 kPa) on FPUD431 air motors.

Motor Models FPUD311, FPUD311-A, FPUD362. Motor brushes in these models should be replaced every 200-300 operating hours to assure trouble free service.

Motor Models FPUD311, FPUD311-A, FPUD362 contain a circuit breaker (overload). If motor will not operate, check the circuit breaker.

PRECAUCIONES DE SEGURIDAD

SIEMPRE use ropa protectora, protección para los ojos y siga procedimientos de seguridad básicos cuando maneje materiales corrosivos.

NUNCA use una bomba de plástico en los motores abiertos, contra salpiqueos o TEFC cuando se bombéa o se mezcla materiales combustibles o inflamables.

SIEMPRE use y almacene recto.

NUNCA sumerga el motor en líquido.

SIEMPRE ponga el motor en la posición OFF antes de conectar la corriente eléctrica.

SIEMPRE revise la placa por los requerimientos correctos de corriente eléctrica.

SIEMPRE use un enchufe aprobado para la Clase I, la División 1, las aplicaciones de los Grupos C & D en el motor de la Serie X.

Nivel de ruido a una distancia de 3 pies:

FPUD311 & FPUD311-A Series	73 db (Contra alpiques)
FPUD362	77 db (TEFC -Totalmente sellada con ventilación)
FPUD431 (Aire)	85 db (800 watt)

PRECAUCIONES DE MANTENIMIENTO

SIEMPRE guarde el motor en una posición vertical lejos de líquidos o vapores corrosivos.

SIEMPRE use un lubricador automático con trampa de humedad y filtro en la línea de aire antes del motor. (Use el detergente SAE número 10 en el lubricador). No excede de 80 psi (551 kPa) con el motor FPUD431.

Modelos de motor operan FPUD311, FPUD311-A, FPUD362. Los cepillos de motor en estos modelos deben ser reemplazados cada 200-300 horas de operación para asegurarse de un servicio libre de problemas.

Modelos de motor FPUD311, FPUD311-A, FPUD362 contienen un disyuntor (sobrecarga). Si el motor no opera, revise el disyuntor.

INSTALLATION

INSTALACIÓN

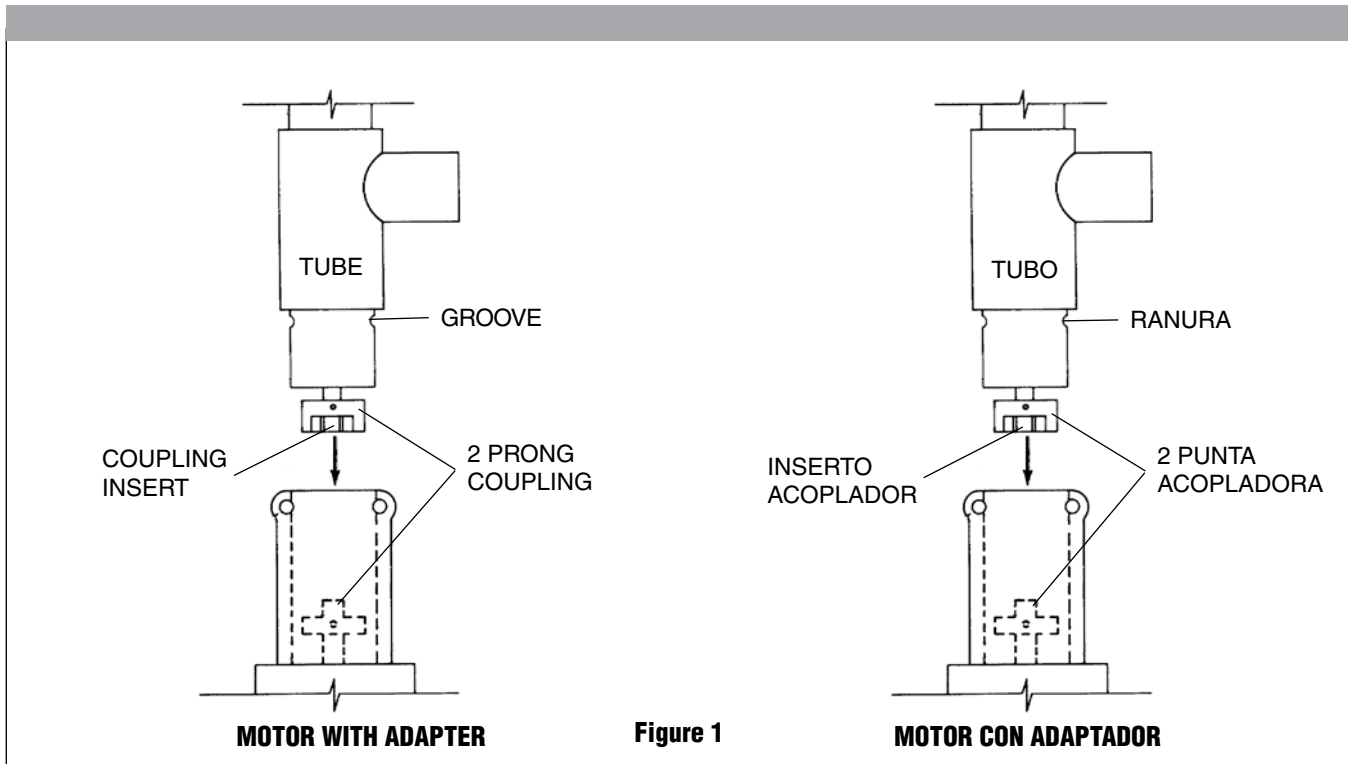


Figure 1

Unpack motor from carton and check for shipping damage. Unpack pump/mixer from carton and check for shipping damage.

If any shipping damage is found, save the packaging and notify the carrier immediately.

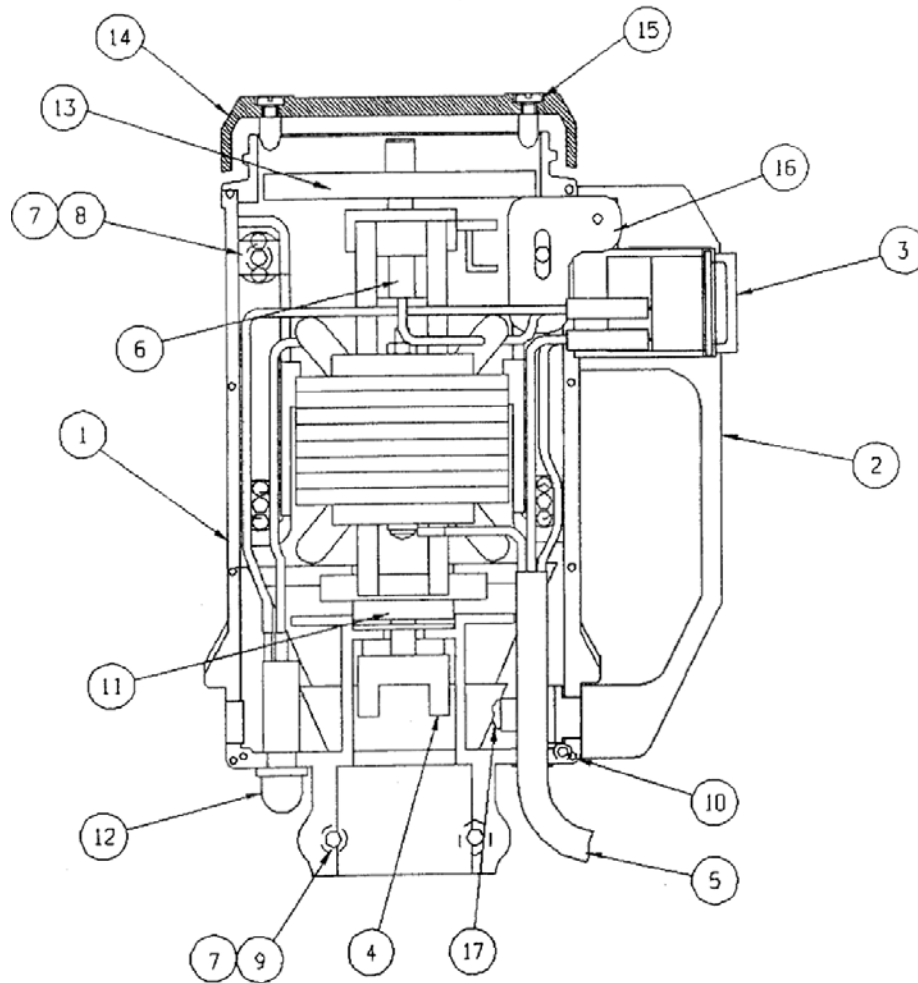
1. Ensure motor and pump compatibility. I.E., labeling.
2. Remove 2 socket head screws and nuts.
3. Ensure no obstructions on the coupling of either motor or pump/mixer.
4. Position couplings and coupling insert for proper alignment.
5. Slide pump/mixer down into motor until couplings mate and pump/mixer is seated properly. Refer to Figure 1.
6. Position motor so mounting holes line up with corresponding grooves on pump/mixer. (Note: Always position electric cord away from discharge spout of pump.)
7. Install 2 socket head screws and nuts in mounting holes and tighten securely.
8. Check to ensure that the motor is secured to the pump/mixer before operating. If not, repeat steps 1-6.

Saque el motor del cartón y revise por daños de embarque. Saque la bomba (o mezclador) del cartón y revise por daños de embarque.

Si se encuentran daños de embarque, póngase en contacto con el suplidor del producto para reemplazarlo o repararlo.

1. Asegúrese de la compatibilidad entre el motor y la bomba. I.E. La etiqueta.
2. Remove 2 tornillos de cabeza de caquillo y tuercas.
3. Asegúrese de que no haya obstrucciones en el acoplador de el motor o la bomba (o mezclador).
4. Coloque el acoplador y el inserto acoplador para una alineación correcta.
5. Deslice la bomba (o mezclador) hacia abajo en el motor hasta que el acoplador y la bomba (o mezclador) estén asentadas correctamente. Vea la Figura 1.
6. Coloque el motor para que los huecos de la estructura y las ranuras correspondientes estén alineadas en la bomba (o mezclador). (Note: Siempre coloque la conexión eléctrica lejos del caño de descargar de la bomba.)
7. Instale 2 tornillos de cabeza de caquillo y tuercas en los huecos de la estructura y apriéte los seguros.
8. Revise para asegurarse que el motor esté amarrado a la bomba (o mezclador) antes de operar. Si no está, repita los pasos 1-6.

FPUD311 & FPUD311A MODELS

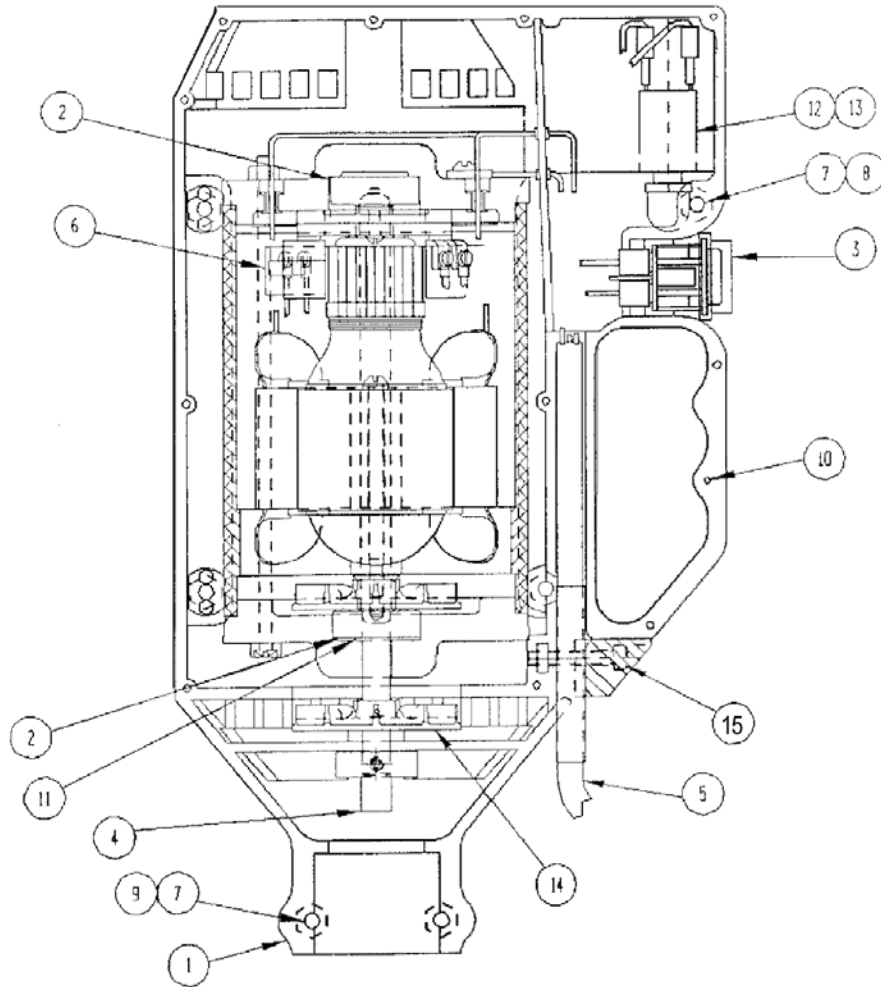


Item	Quantity		Description	Part Number
	M3	M5		
1	1	1	HSG Repair Kit	A101493
2	1	1	Handle	M101668
3	1	1	Switch	A101690
4	1	1	Half Coupling	J100012
5	1	-	Cord Assembly	A102050
5	-	1	Cord Assembly	A102051
6	2	2	Brush	107764
7	6	6	Housing Nut	J100990
8	4	4	Housing Screw	J100022
9	2	2	Mounting Screw	J100023

Item	Quantity		Description	Part Number
	M3	M5		
10	3	3	Screw	J102275
11	1	1	Bearing Kit	A101018
12	1	-	Circuit Breaker w/Cover	A100854
12	-	1	Circuit Breaker w/Cover	A102182
13	1	1	Fan Blade	J101510
14	1	1	Motor Fan Cover	M101710
15	4	4	Cover Screw	J101020
16	1	1	Handle Mounting Block	M101666
17	2	2	Screw	J103715

Note: Motor housing repair kits include motor covers, labels and screws to repair the motor should it be damaged.

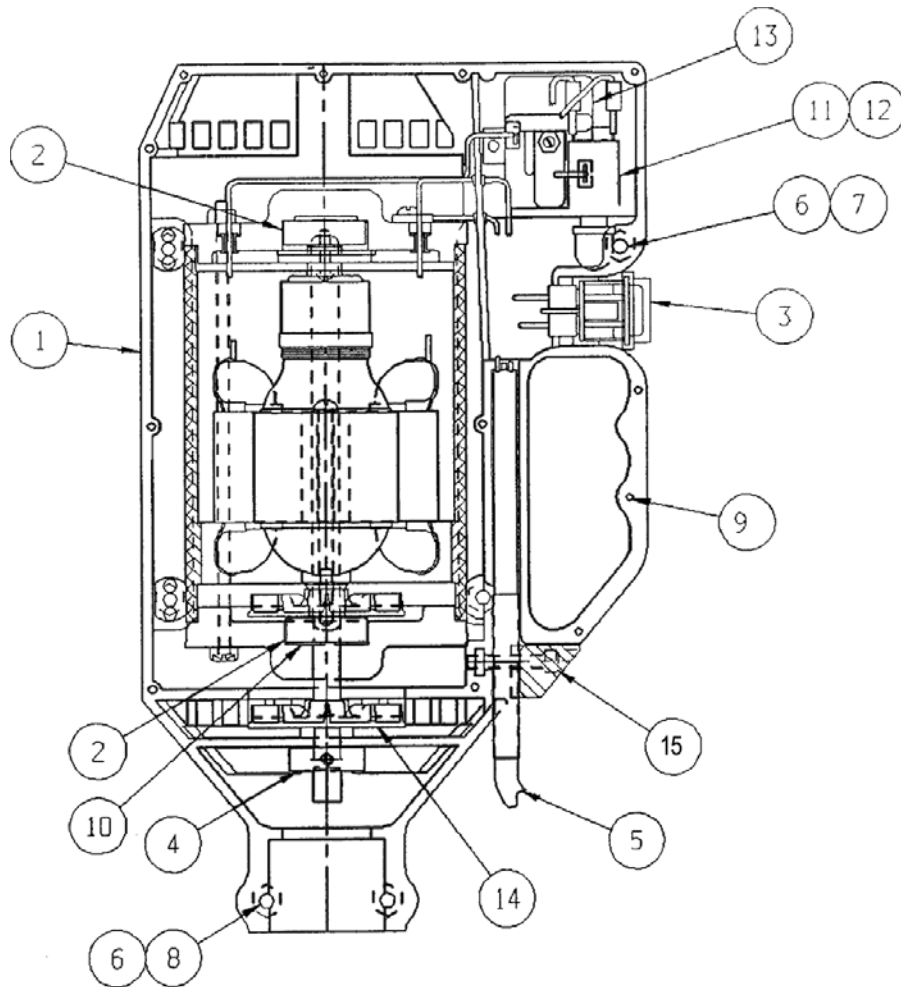
FPUD362 MODELS



Item	Quantity		Description	Part Number	Item	Quantity		Description	Part Number
	M3T	M5T				M3T	M5T		
1	1	1	HSG Repair Kit	A101416	8	4	4	Housing Bolt	J100023
2	2	2	Ball Bearing	J101069	9	2	2	Mounting Bolt	J101690
3	1	1	Switch	A101690	10	2	2	Screw	J101530
4	1	1	Half Coupling	J100013	11	1	1	Wave Washer	J101126
5	1	-	Cord Assembly	A101738	12	1	-	Circuit Breaker	J103796
5	-	1	Cord Assembly	A101740	12	-	1	Circuit Breaker	J101149
6	2	2	Brush	J101107	13	1	1	Cover	J100789
7	6	6	Housing Nut	J100990	14	1	1	Fan Blade	J101094
					15	2	2	Housing Bolt	J100022

Note: Motor housing repair kits include motor covers, labels and screws to repair the motor should it be damaged.

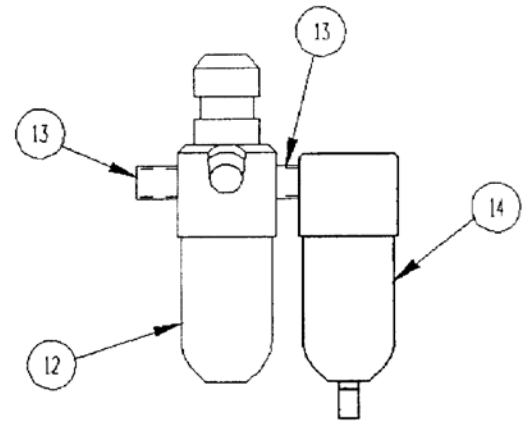
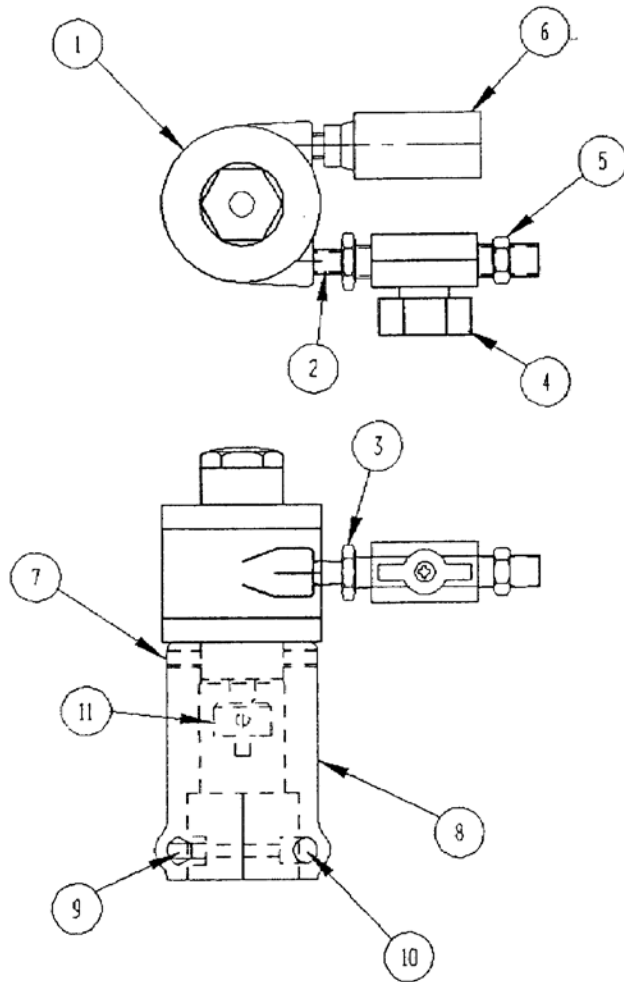
FPUD411 & FPUD421 MODELS



Item	Quantity		Description	Part Number	Item	Quantity		Description	Part Number
	M7T					M7T			
1	1		Housing Repair Kit	A101416	9	2	Screw	J101530	
2	2		Ball Bearing	J101069	10	1	Wave Washer	J101126	
3	1		Switch	A101690	11	1	Circuit Breaker	J101150	
4	1		Half Coupling	J100013	11	-	Circuit Breaker	J101149	
5	1		Cord Assembly	A101748	12	1	Cover	J100789	
5	-		Cord Assembly	A101751	13	1	Start Relay	J101147	
6	6		Housing Nut	J100990	13	-	Start Relay	J101804	
7	4		Housing Bolt	J100023	14	1	Fan Blade	A102024	
8	2		Mounting Bolt	J101690	15	2	Housing Bolt	J100022	

Notes: (1) Motor housing repair kits include motor covers, labels and screws to repair the motor should it be damaged.
 (2) Contact factory for information on M8T.

FPUD431 MODEL



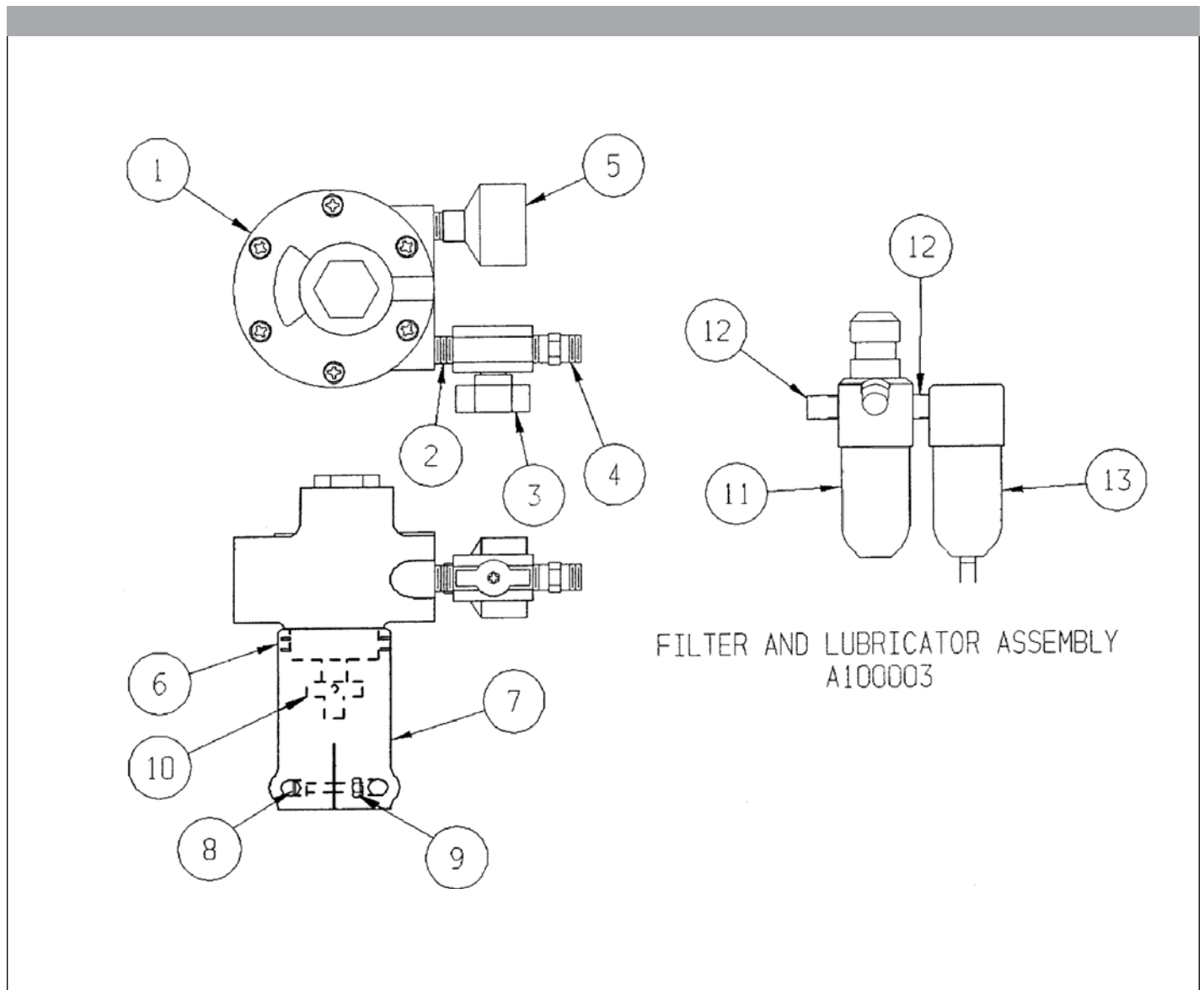
FILTER AND LUBRICATOR ASSEMBLY
A100003

Item	M6	Quantity	Description	Part Number
1	1	1	Air Motor	M101717
2	1	1	Pipe Nipple	J100107
3	1	1	Hex Red. Bushing	J100057
4	1	1	Ball Valve	J100073
5	1	1	Hose Fitting	J100036
6	1	1	Muffler	J100033
7	2	2	Set Screw	J100040

Item	M6	Quantity	Description	Part Number
8	1	1	Air Motor Mount	M100013-1
9	2	2	Socket Head Cap Screw	J100023
10	2	2	Hex Nut	J100990
11	1	1	Half Coupling	J100013
12	1	1	Lubricator	J100035
13	2	2	Pipe Nipple	J102463
14	1	1	Filter	J100034

Not Shown: Air Motor Repair Kit J100060

FPUD331 MODEL

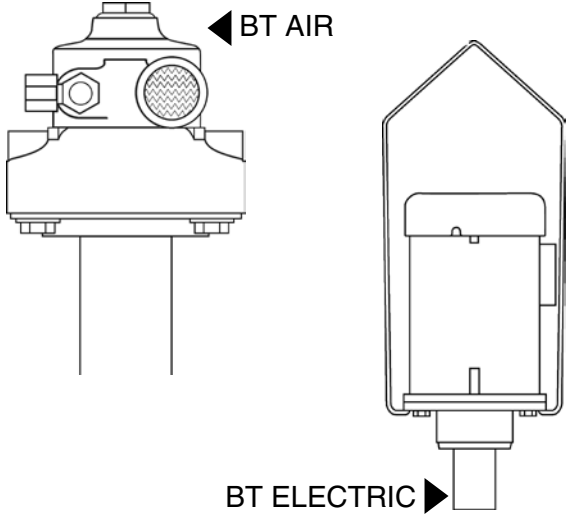


Item	M6X	Quantity	Description	Part Number
1	1	1	Air Motor	M101720
2	1	1	Pipe Nipple	J102463
3	1	1	Ball Valve	J100073
4	1	1	Hose Fitting	J100036
5	1	1	Muffler	J100074
6	2	2	Set Screw	J100040
7	1	1	Air Motor Mount	M100013-2

Item	M6X	Quantity	Description	Part Number
8	2	2	Socket Hd. Cap Screw	J100023
9	2	2	Hex Nut	J100990
10	1	1	Half Coupling	J101500
11	1	1	Lubricator	J100035
12	2	2	Pipe Nipple	J102463
13	1	1	Filter	J100034

Not Shown: Air Motor Repair Kit J100075

FPUD550 MODEL



Air	TEFC	EXP
M18	M15	M24
M19	M16	M25
M20	M17	M26
	M27	M33
	M28	M34
	M29	M35
	M39 (50 Hz)	
	M40 (50 Hz)	

Please consult factory for repairs to any of the above listed motors.

WARRANTY/DISCLAIMER

OMEGA ENGINEERING, INC. warrants this unit to be free of defects in materials and workmanship for a period of **13 months** from date of purchase. OMEGA's WARRANTY adds an additional one (1) month grace period to the normal **one (1) year product warranty** to cover handling and shipping time. This ensures that OMEGA's customers receive maximum coverage on each product.

If the unit malfunctions, it must be returned to the factory for evaluation. OMEGA's Customer Service Department will issue an Authorized Return (AR) number immediately upon phone or written request. Upon examination by OMEGA, if the unit is found to be defective, it will be repaired or replaced at no charge. OMEGA's WARRANTY does not apply to defects resulting from any action of the purchaser, including but not limited to mishandling, improper interfacing, operation outside of design limits, improper repair, or unauthorized modification. This WARRANTY is VOID if the unit shows evidence of having been tampered with or shows evidence of having been damaged as a result of excessive corrosion; or current, heat, moisture or vibration; improper specification; misapplication; misuse or other operating conditions outside of OMEGA's control. Components in which wear is not warranted, include but are not limited to contact points, fuses, and triacs.

OMEGA is pleased to offer suggestions on the use of its various products. However, OMEGA neither assumes responsibility for any omissions or errors nor assumes liability for any damages that result from the use of its products in accordance with information provided by OMEGA, either verbal or written. OMEGA warrants only that the parts manufactured by the company will be as specified and free of defects. OMEGA MAKES NO OTHER WARRANTIES OR REPRESENTATIONS OF ANY KIND WHATSOEVER, EXPRESSED OR IMPLIED, EXCEPT THAT OF TITLE, AND ALL IMPLIED WARRANTIES INCLUDING ANY WARRANTY OF MERCHANTABILITY AND FITNESS FOR A PARTICULAR PURPOSE ARE HEREBY DISCLAIMED. LIMITATION OF LIABILITY: The remedies of purchaser set forth herein are exclusive, and the total liability of OMEGA with respect to this order, whether based on contract, warranty, negligence, indemnification, strict liability or otherwise, shall not exceed the purchase price of the component upon which liability is based. In no event shall OMEGA be liable for consequential, incidental or special damages.

CONDITIONS: Equipment sold by OMEGA is not intended to be used, nor shall it be used: (1) as a "Basic Component" under 10 CFR 21 (NRC), used in or with any nuclear installation or activity; or (2) in medical applications or used on humans. Should any Product(s) be used in or with any nuclear installation or activity, medical application, used on humans, or misused in any way, OMEGA assumes no responsibility as set forth in our basic WARRANTY/DISCLAIMER language, and, additionally, purchaser will indemnify OMEGA and hold OMEGA harmless from any liability or damage whatsoever arising out of the use of the Product(s) in such a manner.

RETURN REQUESTS/INQUIRIES

Direct all warranty and repair requests/inquiries to the OMEGA Customer Service Department. BEFORE RETURNING ANY PRODUCT(S) TO OMEGA, PURCHASER MUST OBTAIN AN AUTHORIZED RETURN (AR) NUMBER FROM OMEGA'S CUSTOMER SERVICE DEPARTMENT (IN ORDER TO AVOID PROCESSING DELAYS). The assigned AR number should then be marked on the outside of the return package and on any correspondence.

The purchaser is responsible for shipping charges, freight, insurance and proper packaging to prevent breakage in transit.

FOR **WARRANTY** RETURNS, please have the following information available BEFORE contacting OMEGA:

1. Purchase Order number under which the product was PURCHASED,
2. Model and serial number of the product under warranty, and
3. Repair instructions and/or specific problems relative to the product.

FOR **NON-WARRANTY** REPAIRS, consult OMEGA for current repair charges. Have the following information available BEFORE contacting OMEGA:

1. Purchase Order number to cover the COST of the repair,
2. Model and serial number of the product, and
3. Repair instructions and/or specific problems relative to the product.

OMEGA's policy is to make running changes, not model changes, whenever an improvement is possible. This affords our customers the latest in technology and engineering.

OMEGA is a registered trademark of OMEGA ENGINEERING, INC.

© Copyright 2009 OMEGA ENGINEERING, INC. All rights reserved. This document may not be copied, photocopied, reproduced, translated, or reduced to any electronic medium or machine-readable form, in whole or in part, without the prior written consent of OMEGA ENGINEERING, INC.

Where Do I Find Everything I Need for Process Measurement and Control?

OMEGA...Of Course!

Shop online at omega.comSM

TEMPERATURE

- Thermocouple, RTD & Thermistor Probes, Connectors, Panels & Assemblies
- Wire: Thermocouple, RTD & Thermistor
- Calibrators & Ice Point References
- Recorders, Controllers & Process Monitors
- Infrared Pyrometers

PRESSURE, STRAIN AND FORCE

- Transducers & Strain Gages
- Load Cells & Pressure Gages
- Displacement Transducers
- Instrumentation & Accessories

FLOW/LEVEL

- Rotameters, Gas Mass Flowmeters & Flow Computers
- Air Velocity Indicators
- Turbine/Paddlewheel Systems
- Totalizers & Batch Controllers

pH/CONDUCTIVITY

- pH Electrodes, Testers & Accessories
- Benchtop/Laboratory Meters
- Controllers, Calibrators, Simulators & Pumps
- Industrial pH & Conductivity Equipment

DATA ACQUISITION

- Data Acquisition & Engineering Software
- Communications-Based Acquisition Systems
- Plug-in Cards for Apple, IBM & Compatibles
- Datalogging Systems
- Recorders, Printers & Plotters

HEATERS

- Heating Cable
- Cartridge & Strip Heaters
- Immersion & Band Heaters
- Flexible Heaters
- Laboratory Heaters

ENVIRONMENTAL MONITORING AND CONTROL

- Metering & Control Instrumentation
- Refractometers
- Pumps & Tubing
- Air, Soil & Water Monitors
- Industrial Water & Wastewater Treatment
- pH, Conductivity & Dissolved Oxygen Instruments