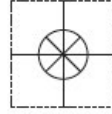


1 YEAR
WARRANTY



User's Guide

Shop online at

omega.com[®]
— Ω OMEGA[®] —

omega.com

e-mail: info@omega.com

For latest product manuals:

omegamanual.info



PX2600 SERIES
M-5261/0213



OMEGAnet® Online Service omega.com	Internet e-mail info@omega.com
---	---

Servicing North America:

U.S.A: Omega Engineering, Inc., One Omega Drive, P.O. Box 4047
ISO 9001 Certified Stamford, CT 06907-0047 USA
Toll Free: 1-800-826-6342 TEL: (203) 359-1660
FAX: (203) 359-7700 email: info@omega.com

Canada: 976 Bergar
Laval (Quebec), Canada H7L 5A1
Toll Free: 1-800-826-6342 (514) 856-6928
FAX: (514) 856-6886 email: info@omega.com

For immediate technical or application assistance:

U.S.A and Canada: Sales Service: 1-800-826-6342/1-800-TC-OMEGA®
Customer Service: 1-800-622-2378/1-800-622-BEST®
Engineering Service: 1-800-872-9436/1-800-USA-WHEN®

Mexico: En Español: 001 (203) 359-7803 FAX: (001) 203-359-7807
info@omega.com.mx e-mail: espanol@omega.com

Servicing Europe:

Benelux: Managed by the United Kingdom Office
Toll-Free: 0800 099 3344 TEL: +31 20 347 21 21
FAX: +31 20 643 46 43 e-mail: sales@omega.nl

France: Managed by the United Kingdom Office
Toll-Free: 0800 466 342 TEL: +33 (0) 161 37 29 00
FAX: +33 (0) 130 57 54 27 e-mail: sales@omega.fr

Germany/Austria: Daimlerstrasse 26
D-75392 Deckenpfronn, Germany
Toll-Free: 0 800 6397678 TEL: +49 (0) 7059 9398-0
FAX: +49 (0) 7056 9398-29 e-mail: info@omega.de

United Kingdom: OMEGA Engineering Ltd.
ISO 9001 Certified One Omega Drive, River Bend Technology Centre, Northbank
Irlam, Manchester M44 5BD England
Toll-Free: 0800-488-488 TEL: +44 (0)161 777-6611
FAX: +44 (0)161 777-6622 e-mail: sales@omega.co.uk

It is the policy of OMEGA Engineering, Inc. to comply with all worldwide safety and EMC/EMI regulations that apply. OMEGA is constantly pursuing certification of its products to the European New Approach Directives. OMEGA will add the CE mark to every appropriate device upon certification.

The information contained in this document is believed to be correct, but OMEGA accepts no liability for any errors it contains, and reserves the right to alter specifications without notice.

WARNING: These products are not designed for use in, and should not be used for, human applications.

**Installation Guide
PX2600 Series
Multi-Range Differential Pressure Transducer**

General Information

- Every PX2600 has been calibrated and tested before shipment to guarantee performance for all pressure ranges.
- The PX2600 series is available in four versions, which have field selectable range capability via a slide switch. See four versions below:

Multi-Range Specifications		
Version	Unidirectional	Bidirectional
PX2600-001 DX	0.1", 0.25", 0.5" and 1.0" W.C FS	+/- 0.1", 0.25", 0.5" and 1.0" W.C. FS
PX2600-010 DX	1.0", 2.5", 5.0" and 10" W.C. FS	+/- 1.0", 2.5", 5.0" and 10" W.C. FS
PX2600-250 DX	25, 50, 100 and 250 Pa FS	+/- 25, 50, 100 and 250 Pa FS
PX2600-2.5k DX	.25, .50, 1.00 and 2.5 kPa	+/- .25, .50, 1.00 and 2.5 kPa

The PX2600 is available in three field selectable output configurations. See three versions below:

2-Wire	4-20mA (Current)
3 Wire	0-5 or 0-10 VDC (Voltage)

MECHANICAL INSTALLATION

Mounting Position

Mount and calibrate in vertical position for quick and easy installation on ducts, walls or ceilings and in control rooms.

Media Compatibility

PX2600 transducers are designed to be used with air on nonconducting gases. Use with liquids or corrosive gases will damage the unit.

Environment

The operating temperature limits the PX2600 are as follows:

Operating Temperature	32°F to 122°F (0°C to 50°C)
Compensated Temperature Range	32°F to 122°F (0°C to 50°C)

SIMPLE 5-STEP SETUP INSTRUCTIONS

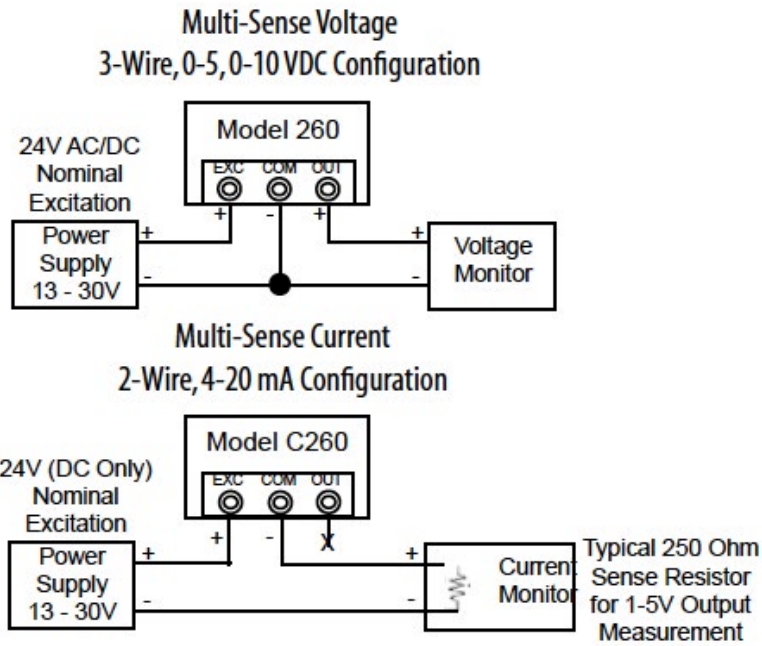
STEP 1:

For CE compliance a properly grounded shielding cable is required.

ELECTRICAL CONNECTIONS

Removable Terminal Block for Easy Wiring

STEP 1: Wire and Power Up Unit - Follow diagrams below for 2-wire and 3-wire configurations. After completing wiring requirements - Apply power to the Model 260.

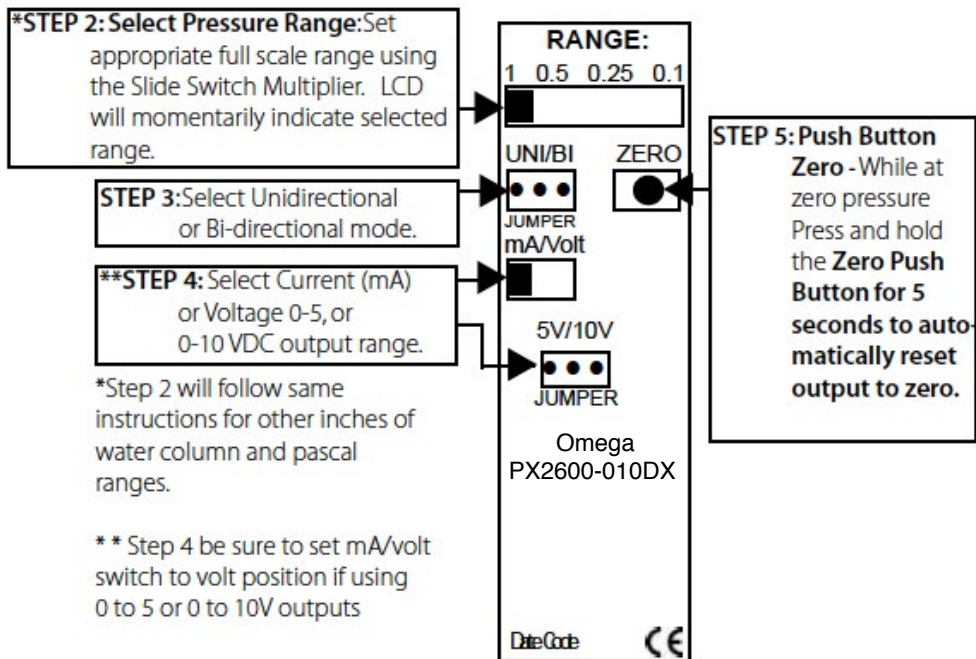


SIMPLE 5-STEP SETUP INSTRUCTIONS

STEPS 2-5

Power on - LCD Display

Display momentarily toggles thru all existing setup parameters on initial power up. Pressure is normally indicated on display. Units are either in inches of water column (WC) 001DX & 010DX, or Pascal (Pa) 250DX & 2.5KDX.



ZERO AND SPAN ADJUSTMENT*

The unit may be recalibrated in the field using the push button zero/span.

Zero Adjustment:

1. With unit at zero differential pressure, push zero button for 5 seconds. Units output and display will update.

Span Adjustment:

2. Apply full scale pressure (Note: Full scale value of largest range). Press and hold zero button for 5 seconds. Units output and display will update.

*Zero and Span points must be within 10% of factory setting.

PERFORMANCE SPECIFICATIONS

Accuracy RSS* (at constant temperature.) $\pm 1\%$ FS

*RSS of Non-Linearity, Non-Repeatability and Hysteresis.

Thermal Effects	
Compensated Range °F(°C)	+32 to +122°F (0 to 50)
Zero/Span Shift %FS/°F(°C)	0.03 (0.054)
Maximum Line Pressure	10 PSI
Warm-up Shift	$\pm 0.2\%$ FS total
Position Effects (Unit is factory calibrated at 0g effect in the vertical position)	
Zero Offset (%FS/G)	0.2%

RETURNING PRODUCTS FOR REPAIR

Please contact Omega at 1-800-826-6342 or 1-203-359-1660 before returning unit for repair to review information relative to your application. Many times, only minor field adjustments may be necessary. When returning a product to Omega, the material should be carefully packaged and shipped prepaid to:

Omega Engineering, Inc
One Omega Drive
P.O. Box 4047
Stamford, CT 06907-0047

To assure prompt handling, please supply the following information and include it inside the package of returned material:

1. Name and phone number of person to contact.
2. Shipping and billing instruction.
3. Full description of the malfunction.
4. Identify any hazardous material used with product.

Notes: Please remove any pressure fittings and plumbing that you have installed and enclose any required mating electrical connectors and wiring diagrams. Allow approximately 3 weeks after receipt at Omega for the repair and return of the unit. Non-warranty repairs will not be made without customer approval and a purchase order to cover the repair charges.

Calibration Services

Omega maintains a complete calibration facility that is traceable to the National Institute of Standards & Technology (NIST). If you would like to recalibrate or re-certify your Omega pressure transducers or transmitters, please call our Sales Department at 1-800-826-6342 or 1-203-359-1660 for scheduling, cost and turnaround estimates.

Thank you,
Omega Engineering, Inc.



WARRANTY/DISCLAIMER

OMEGA ENGINEERING, INC. warrants this unit to be free of defects in materials and workmanship for a period of **13 months** from date of purchase. OMEGA's WARRANTY adds an additional one (1) month grace period to the normal **one (1) year product warranty** to cover handling and shipping time. This ensures that OMEGA's customers receive maximum coverage on each product.

If the unit malfunctions, it must be returned to the factory for evaluation. OMEGA's Customer Service Department will issue an Authorized Return (AR) number immediately upon phone or written request. Upon examination by OMEGA, if the unit is found to be defective, it will be repaired or replaced at no charge. OMEGA's WARRANTY does not apply to defects resulting from any action of the purchaser, including but not limited to mishandling, improper interfacing, operation outside of design limits, improper repair, or unauthorized modification. This WARRANTY is VOID if the unit shows evidence of having been tampered with or shows evidence of having been damaged as a result of excessive corrosion; or current, heat, moisture or vibration; improper specification; misapplication; misuse or other operating conditions outside of OMEGA's control. Components in which wear is not warranted, include but are not limited to contact points, fuses, and triacs.

OMEGA is pleased to offer suggestions on the use of its various products. However, OMEGA neither assumes responsibility for any omissions or errors nor assumes liability for any damages that result from the use of its products in accordance with information provided by OMEGA, either verbal or written. OMEGA warrants only that the parts manufactured by the company will be as specified and free of defects. OMEGA MAKES NO OTHER WARRANTIES OR REPRESENTATIONS OF ANY KIND WHATSOEVER, EXPRESSED OR IMPLIED, EXCEPT THAT OF TITLE, AND ALL IMPLIED WARRANTIES INCLUDING ANY WARRANTY OF MERCHANTABILITY AND FITNESS FOR A PARTICULAR PURPOSE ARE HEREBY DISCLAIMED. LIMITATION OF LIABILITY: The remedies of purchaser set forth herein are exclusive, and the total liability of OMEGA with respect to this order, whether based on contract, warranty, negligence, indemnification, strict liability or otherwise, shall not exceed the purchase price of the component upon which liability is based. In no event shall OMEGA be liable for consequential, incidental or special damages.

CONDITIONS: Equipment sold by OMEGA is not intended to be used, nor shall it be used: (1) as a "Basic Component" under 10 CFR 21 (NRC), used in or with any nuclear installation or activity; or (2) in medical applications or used on humans. Should any Product(s) be used in or with any nuclear installation or activity, medical application, used on humans, or misused in any way, OMEGA assumes no responsibility as set forth in our basic WARRANTY/DISCLAIMER language, and, additionally, purchaser will indemnify OMEGA and hold OMEGA harmless from any liability or damage whatsoever arising out of the use of the Product(s) in such a manner.

RETURN REQUESTS/INQUIRIES

Direct all warranty and repair requests/inquiries to the OMEGA Customer Service Department. BEFORE RETURNING ANY PRODUCT(S) TO OMEGA, PURCHASER MUST OBTAIN AN AUTHORIZED RETURN (AR) NUMBER FROM OMEGA'S CUSTOMER SERVICE DEPARTMENT (IN ORDER TO AVOID PROCESSING DELAYS). The assigned AR number should then be marked on the outside of the return package and on any correspondence.

The purchaser is responsible for shipping charges, freight, insurance and proper packaging to prevent breakage in transit.

FOR **WARRANTY** RETURNS, please have the following information available BEFORE contacting OMEGA:

1. Purchase Order number under which the product was PURCHASED,
2. Model and serial number of the product under warranty, and
3. Repair instructions and/or specific problems relative to the product.

FOR **NON-WARRANTY** REPAIRS, consult OMEGA for current repair charges. Have the following information available BEFORE contacting OMEGA:

1. Purchase Order number to cover the COST of the repair,
2. Model and serial number of the product, and
3. Repair instructions and/or specific problems relative to the product.

OMEGA's policy is to make running changes, not model changes, whenever an improvement is possible. This affords our customers the latest in technology and engineering.

OMEGA is a registered trademark of OMEGA ENGINEERING, INC.

© Copyright 2009 OMEGA ENGINEERING, INC. All rights reserved. This document may not be copied, photocopied, reproduced, translated, or reduced to any electronic medium or machine-readable form, in whole or in part, without the prior written consent of OMEGA ENGINEERING, INC.

Where Do I Find Everything I Need for Process Measurement and Control? **OMEGA...Of Course!** *Shop online at omega.comSM*

TEMPERATURE

- Thermocouple, RTD & Thermistor Probes, Connectors, Panels & Assemblies
- Wire: Thermocouple, RTD & Thermistor
- Calibrators & Ice Point References
- Recorders, Controllers & Process Monitors
- Infrared Pyrometers

PRESSURE, STAIN AND FORCE

- Transducers & Strain Gages
- Load Cells & Pressure Gages
- Displacement Transducers
- Instrumentation & Accessories

FLOW/LEVEL

- Rotameters, Gas Mass Flowmeters & Flow Computers
- Air Velocity Indicators
- Turbine/Paddlewheel Systems
- Totalizers & Batch Controllers

pH/CONDUCTIVITY

- pH Electrodes, Testers & Accessories
- Benchtop/Laboratory Meters
- Controllers, Calibrators, Simulators & Pumps
- Industrial pH & Conductivity Equipment

DATA ACQUISITION

- Data Acquisition & Engineering Software
- Communications-Based Acquisition Systems
- Plug-in Cards for Apple, IBM & Compatibles
- Datalogging Systems
- Recorders, Printers & Plotters

HEATERS

- Heating Cable
- Cartridge & Strip Heaters
- Immersion & Band Heaters
- Flexible Heaters
- Laboratory Heaters

ENVIRONMENTAL

MONITORING AND CONTROL

- Metering & Control Instrumentation
- Refractometers
- Pumps & Tubing
- Air, Soil & Water Monitors
- Industrial Water & Wastewater Treatment
- pH, Conductivity & Dissolved Oxygen Instruments