

1 YEAR
WARRANTY

Ω OMEGA™

User's Guide

***Shop online at
omega.com***

***e-mail: info@omega.com
For latest product manuals:
www.omegamanual.info***



**DP301AN DC VOLTMETER
DP301AN-AC VOLTMETER**



omega.com info@omega.com

Servicing North America:

**U.S.A.
Headquarters:**

Omega Engineering, Inc.

Toll-Free: 1-800-826-6342 (USA & Canada only)

Customer Service: 1-800-622-2378 (USA & Canada only)

Engineering Service: 1-800-872-9436 (USA & Canada only)

Tel: (203) 359-1660

e-mail: info@omega.com

Fax: (203) 359-7700

For Other Locations Visit omega.com/worldwide

TABLE OF CONTENTS

SAFETY INSTRUCTIONS.....	iii
1.0 GENERAL INFORMATION	1
2.0 SPECIFICATIONS.....	1
2.1 Analog Input	1
2.2 Accuracy at 25°C.....	2
2.3 Noise Rejection	2
2.4 Analog-To-Digital Conversion.....	2
2.5 3-Wire Ratio Reference.....	2
2.6 Display.....	2
2.7 Digital Signals	3
2.8 Power	3
2.9 Environmental	3
2.10 Mechanical	3
3.0 MECHANICAL ASSEMBLY AND INSTALLATION	4
3.1 Panel Mounting	4
4.0 POWER AND SIGNAL	6
4.1 Changing Operating Voltage	6
4.2 Power and Signal Connections	6
4.3 Connector Pin Assignments	8
4.4 Digital Test Signals	9
5.0 CONFIGURATION	10
5.1 Decimal Point Selection	10
5.2 Voltage Range Selection.....	11
5.3 Blanking Least-Significant Digit	12
6.0 CALIBRATION.....	13
6.1 DC Voltage Ranges	13
6.2 AC Voltage Ranges	13
7.0 DRAWINGS	14

ILLUSTRATIONS

Figure 3-1 DIN Case Dimensions.....	4
Figure 3-2 Exploded View	5
Figure 4-1 Main Board	6
Figure 4-2 Rear Terminal	6
Figure 5-1 Display Board Jumper Locations	10
Figure 5-2 Main Board Jumper Locations	11
Figure 5-3 Solder-Switch Locations	12
Figure 7-1 Assembly Diagram.....	14

SAFETY CONSIDERATIONS



This device is marked with the international Caution symbol. It is important to read this manual before installing or commissioning this device as it contains important information relating to Safety and EMC (Electromagnetic Compatibility).

Unpacking & Inspection

Note

Unpack the instrument and inspect for obvious shipping damage. Do not attempt to operate the unit if damage is found.

This instrument is a panel mount device protected in accordance with Class I of EN 61010 (115/230 AC power connections). Installation of this instrument should be done by Qualified personnel. In order to ensure safe operation, the following instructions should be followed.

This instrument has no power-on switch. An external switch or circuit-breaker shall be included in the building installation as a disconnecting device. It shall be marked to indicate this function, and it shall be in close proximity to the equipment within easy reach of the operator. The switch or circuit-breaker shall not interrupt the Protective Conductor (Earth wire), and it shall meet the relevant requirements of IEC 947-1 and IEC 947-3 (International Electrotechnical Commission). The switch shall not be incorporated in the mains supply cord.

Furthermore, to provide protection against excessive energy being drawn from the mains supply in case of a fault in the equipment, an overcurrent protection device shall be installed.



- The **Protective Conductor** must be connected for safety reasons. Check that the power cable has the proper Earth wire, and it is properly connected. It is not safe to operate this unit without the Protective Conductor Terminal connected.

Note

- Do not exceed voltage rating on the label located on the top of the instrument housing.
- Always disconnect power before changing signal and power connections.
- Do not use this instrument on a work bench without its case for safety reasons.
- Do not operate this instrument in flammable or explosive atmospheres.
- Do not expose this instrument to rain or moisture.
- Unit mounting should allow for adequate ventilation to ensure instrument does not exceed operating temperature rating.
- Use electrical wires with adequate size to handle mechanical strain and power requirements. Install without exposing bare wire outside the connector to minimize electrical shock hazards.

EMC Considerations

- Whenever EMC is an issue, always use shielded cables.
- Never run signal and power wires in the same conduit.
- Use signal wire connections with twisted-pair cables.
- Install Ferrite Bead(s) on signal wires close to the instrument if EMC problems persist.

1.0 GENERAL INFORMATION

The two versions of voltmeters are different pinout versions of the same 3 1/2 digit panel meter for applications which require a compact, quality dc voltmeter. Standard features include HOLD function, selectable decimal point location and LAMP TEST.

Each model contains the circuitry for all ranges. The range is changed by opening and closing the appropriate switches on the printed circuit board via installation of push-on jumpers.

1.1 MODEL DP301AN

Model DP301AN is pin compatible with newer voltmeters DP302, DP3001 and DP3002 series.

Models DP301AN has a resolution of 1 part in ± 1999 counts, or 0.05% of full scale. By using an external dc voltage reference, any of these ranges can be configured for 3 wire ratio measurement with readout from 0 to 1.999.

1.2 MODEL DP301AN-AC

Model DP301AN-AC, for AC power line monitoring, has a screw terminal barrier strip for signal and power. This model uses a half wave average converter calibrated to read RMS. It offers input ranges of 199.9 and 650 V ac, with resolution of 100 mV and 1 V, respectively. Maximum rated input in either range is 650 V RMS or 920 Vp.

2.0 SPECIFICATIONS

2.1 ANALOG INPUT

Model "AN"

Signal ranges	$\pm 199.9\text{mV}$	$\pm 1.999\text{V}$	$\pm 19.99\text{V}$	$\pm 199.9\text{V}$
Bias current	50 pA	50 pA	5 pA	1 pA
Maximum input	130 Vp	130 Vp	250 Vp	250 Vp
Resolution	100 μV	1 mV	10 mV	100 mV
Input resistance	1 G Ω	1 G Ω	1.1 M Ω	1.0 M Ω N8,50
Configuration	Differential, bipolar			
Zero	Automatic			
Span adjustment	$\pm 5\%$			

Model "AN-AC"

Signal ranges	199.9 V ac	650 V ac
Bias current	1 pA	1 pA
Overvoltage protection	650 V ac	650 V ac
Resolution	100 mV	1 V ac
Input resistance	1 M Ω	1 M Ω
Configuration	Half wave average, RMS calibrated	
Zero	Automatic	
Frequency	47 to 1000 Hz	

2.2 ACCURACY AT 25°C

Warmup to rated accuracy 10 minutes

Model "AN"

Maximum error $\pm 0.05\%$ or reading ± 1 count
Span to tempco $\pm 0.01\%$ of reading/ $^{\circ}\text{C}$
Step response 1 second

Model "AN-AC"

(10% to 100% of full-scale range)

Maximum error (actual reading)
20.0 to 199.9 V range $\pm 0.003\% \text{FS (R-110 V) / V} \pm 1$ counts
20.0 to 650. V range $\pm 0.003\% \text{FS (R-220 V) / V} \pm 1$ counts
Span to tempco $\pm 0.01\%$ of reading / $^{\circ}\text{C}$
Step response 1 second

2.3 NOISE REJECTION

NMR 56 dB at 50/60 Hz
CMR, SIG LO to SIG GND 80 dB, DC to 60 Hz
CMV, SIG LO to SIG GND ± 1.0 Vp
CMR, AC GND to SIG GND 120 dB, DC to 60 Hz
CMV, AC GND to SIG GND 1500 Vp per HV test; 354 Vp per IEC spacing

2.4 ANALOG TO DIGITAL CONVERSION

Technique Dual-slope, average-value
Read rate 2.5/second
Input integration period 100 milliseconds

2.5 3 WIRE RATIO REFERENCE

Model "AN"

Analog input range ± 200 mV, ± 2 V, ± 20 V, ± 200 V
Reference voltage +0.05 to +0.2 V +0.5 to 2.0 V
Load on reference 30.6 ohms 65.3 ohms
Accuracy 99.9%R 99.9%R

2.6 DISPLAY

Type 7 segment, red LED; 14.2 mm (0.56 in)
Symbols
Model "AN" -1.8.8.8
Model "AN AC" 1.8.8.8
Decimal points 3 position programmable internally or at connector
Overrange indication 3 least significant digits blank

2.7 DIGITAL SIGNALS (Referenced to SIG GND)

Logical 0	0 to +1.4 V
Logical 1	+3.7 V to +5.0 V
Display HOLD	1 = latched reading
LAMP TEST	1 = display of -1888
Output voltage	+4.7 V dc $\pm 5\%$ at 10 mA max -4.6 V dc $\pm 5\%$ at 10 mA max

2.8 POWER

AC input voltage	115 or 230 V ac $\pm 15\%$
AC frequency range	49 to 440 Hz
DC input voltage	9 to 32 V dc, isolated to 300 Vp 26 to 56 V dc, isolated to 300 Vp
Power consumption	2.4 W (nominal)

2.9 ENVIRONMENTAL

Operating temperature	0 to +60°C
Storage temperature	-40 to +85°C
Relative humidity	95% at +40°C (non-condensing)

2.10 MECHANICAL

Bezel	96 x 48 x 6.1 mm (3.78 x 1.89 x 0.24 in)
Depth behind bezel, with connector	99 mm (3.90 in)
Panel cutout	92 x 45 mm (3.62 x 1.77 in)
Weight	400 g (14 oz)
Case material	94V-O UL rated polycarbonate
D1 connector:	18 pin, double row, 3.96 mm (0.156 in) pin spacing
D4 connector:	Screw terminal barrier strip for signal and power (removes these inputs from D1)

3.0 MECHANICAL ASSEMBLY AND INSTALLATION

3.1 PANEL MOUNTING

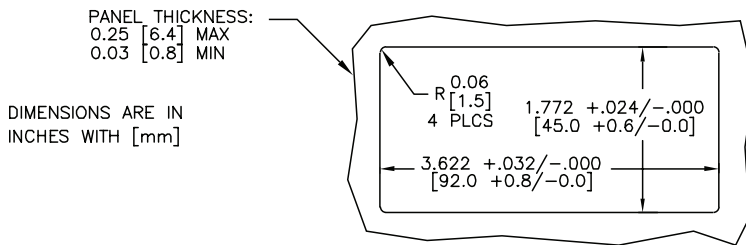
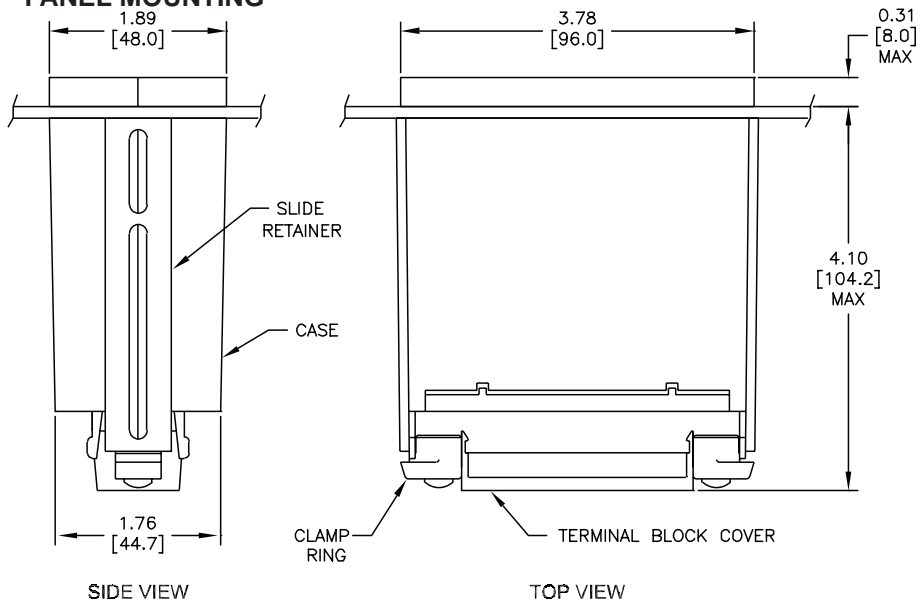


Figure 3-1 DIN Case Dimensions

1. Remove the main board edge connector (J1) if installed.
2. Use a #8 Phillips-head screwdriver to loosen the two screws on the rear of the case until you can rotate the two clamp rings. Loosen the screws enough to allow for the panel thickness.
3. Slide the two slide retainers towards the rear of the unit and remove them.
4. Observe the case dimensions previously shown. From the front of the panel, insert the meter into the panel cutout.
5. Slide the slide retainers back onto the case and push up tightly against the rear of the panel.
6. Rotate the clamp rings back into their original position and tighten until the case is held in place. Do not overtighten.
7. Reinstall any connectors that were removed

3.1 PANEL MOUNTING (continued)



WARNING: High voltage is present when using model "AN-AC" with the 650 V AC option.

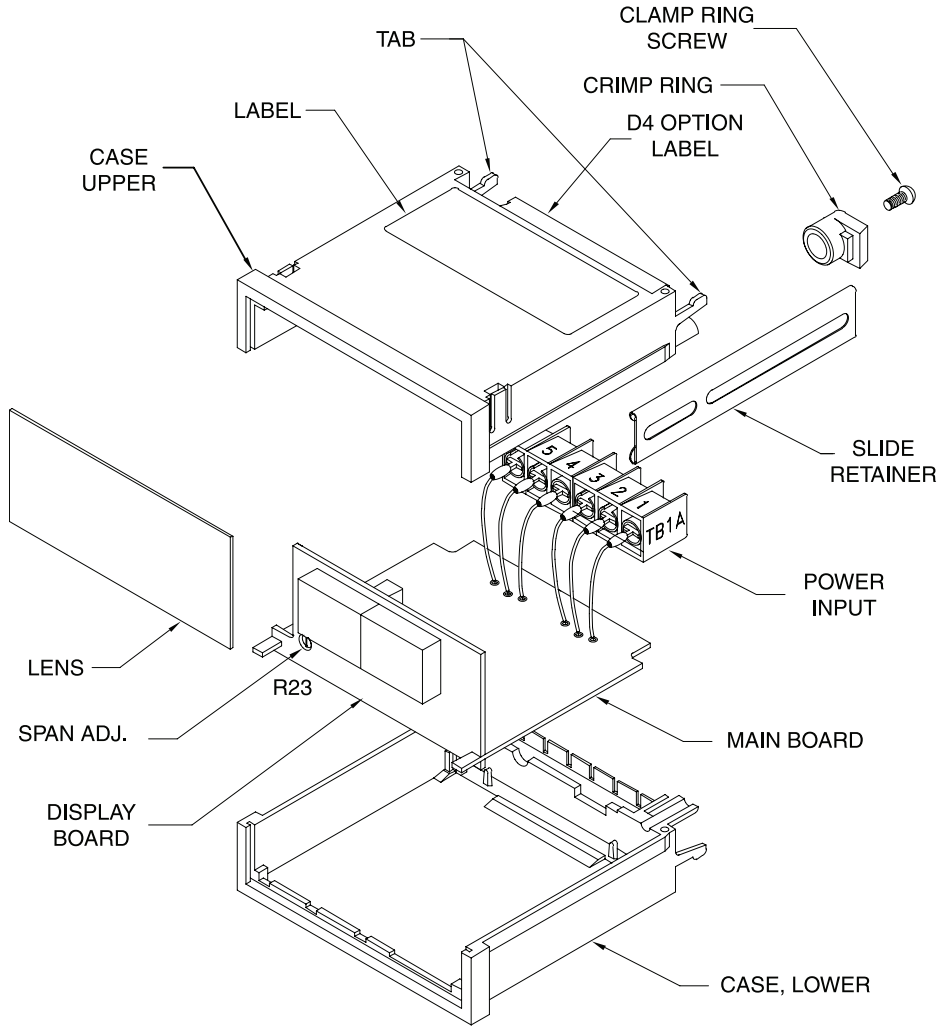


Figure 3-2 Exploded View

4.0 POWER AND SIGNAL

4.1 CHANGING OPERATING VOLTAGE

Remove power lines from the meter, then remove the meter from the case.

OPERATING VOLTAGE	JUMPER INSTALLATION
230 V ac $\pm 15\%$ (Option C1)	Remove W8 and W9 on the transformer Install W4 on the printed circuit board
115 V ac $\pm 15\%$ (Standard)	Install W8 and W9 on the transformer Remove W4 on the printed circuit board

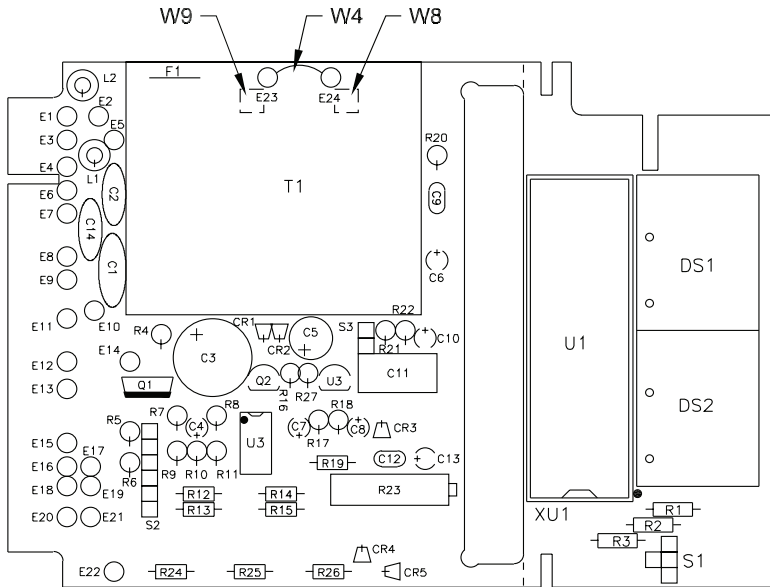


Figure 4-1 Main Board

4.2 POWER AND SIGNAL CONNECTIONS

The voltmeters are factory-set for 115 V ac $\pm 15\%$ operation. Power and signal can be connected using the D1 or D4 option.

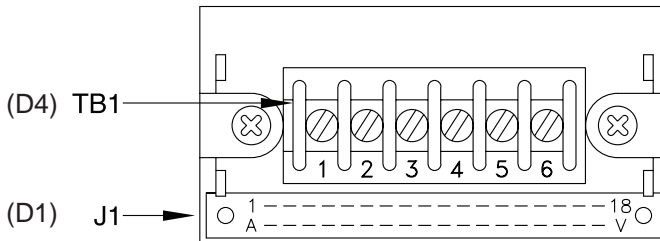


Figure 4-2 Rear Terminal

Refer to Figure 4-2.

MODEL "AN"

Connector		Power		Signal	
~ AC	D1	A	L (High)	17	High
		2	N (Low)	16	Low
		C	⊕ (Ground)		
	D4	1	L (High)	6	High
		2	N (Low)	5	Low
		3	⊕ (Ground)	4	Signal GRND
≡ DC	D1	2	+ DC	17	High
		C	- DC (return)	16	Low
	D4	1	No connection	6	High
		2	+ DC	5	Low
		3	- DC (return)	4	Signal GRND

Model "AN-AC"

Connector	Power		Signal	
D4	1	L (High)	6	High
	2	N (Low)	5	Low
	3	⊕ (Ground)	4	No connection

Wire Color for AC Power	USA	Other
L (High)	Black	Brown
N (Low)	White	Blue
⊕ (Ground)	Green	Green

4.3 CONNECTOR PIN ASSIGNMENTS

Model "AN-AC" J1 Connector (D1 Option)


Spare	A	1	N/C
N/C	B	2	N/C
Spare	C	3	N/C
N/C	D	4	N/C
Spare	E	5	N/C
N/C	F	6	N/C
199.9 DP	H	7	199.9 DP
19.99 DP	J	8	19.99 DP
1.999 DP	K	9	1.999 DP
LAMP TEST	L	10	LAMP TEST
+4.7 V	M	11	+4.7 V
-4.6 V	N	12	-EXC
+REF	P	13	+EXC
HOLD	R	14	HOLD
ANA GND	S	15	Spare
SIG LO	T	16	Spare
N/C	U	17	Spare
Spare	V	18	N/C

Model "AN" J1 Connector (D1 Option)

AC HI	A	1	N/C
N/C	B	2	AC LO/+DC PWR
AC GND/-DC PWR	C	3	N/C
N/C	D	4	N/C
Spare	E	5	N/C
N/C	F	6	DIG GND
199.9 DP	H	7	199.9 DP
19.99 DP	J	8	19.99 DP
1.999 DP	K	9	1.999 DP
LAMP TEST	L	10	LAMP TEST
+4.7 V	M	11	+4.7 V
-4.6 V	N	12	-EXC
+REF	P	13	+EXC
HOLD	R	14	HOLD
ANA GND	S	15	Spare
SIG LO	T	16	SIG LO
N/C	U	17	SIG HI
SIG HI	V	18	N/C

Connector TB1 (D4 Option)

~ AC Power Versions

1	AC HI L
2	AC LO N
3	AC GND 
4	ANA GND*
5	SIG LO
6	SIG HI

≡ DC Power Versions

1	N/C
2	+DC PWR
3	-DC PWR RETURN
4	ANA GND*
5	SIG LO
6	SIG HI

* No connection with "AN-AC"

4.4 DIGITAL TEST SIGNALS

Display HOLD instructs the meter to maintain a display of the last reading. To activate HOLD, connect J1-pin 14/R to J1-pin 11/M.

LAMP TEST instructs the meter to light the minus sign and all digits on the display to verify that the display is operating properly. To test the display, connect J1-pin 10/L to J1-pin 11/M. The decimal point does not light when LAMP TEST is activated.

5.0 CONFIGURATION

Select the desired configurations from the following charts.
Install jumpers and open/close solder switches as indicated.
Remove all push-on jumpers not used.

5.1 DECIMAL POINT SELECTION

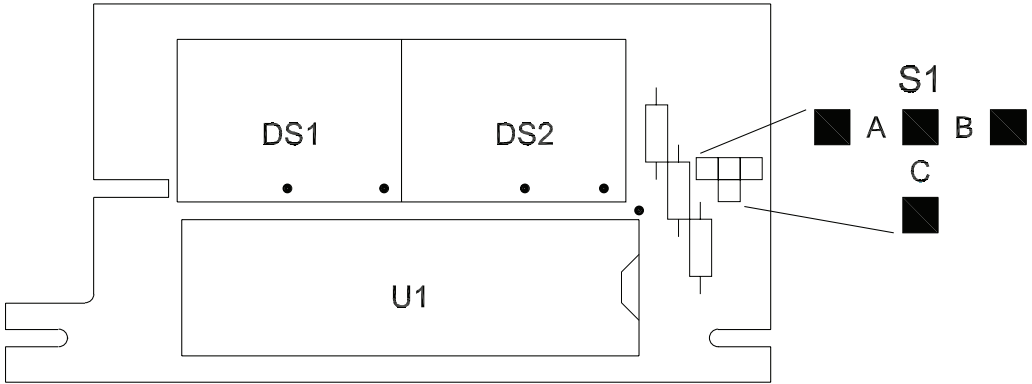


Figure 5-1 Display Board Jumper Locations

Decimal Point	S1	Alternate Decimal Point Configuration Using Main Board Connector J1
1.999	A	Connect K/9 to 6
19.99	C	Connect J/8 to 6
199.9	B	Connect H/7 to 6

5.2 VOLTAGE RANGE SELECTION

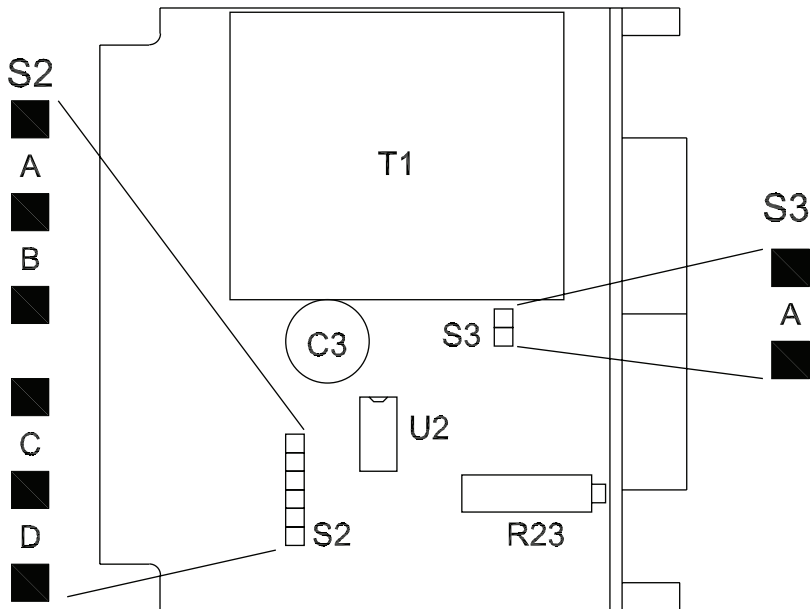


Figure 5-2 Main Board Jumper Locations

Input Configuration	Solder Switches*		Push-on Jumpers		Remove Jumper
	Open	Close	S2	S3	Wire
200 mV dc	-	-	A	A	
2 V dc	-	-	B	-	
20 V dc	-	-	B, C	-	
200 V dc	-	-	B, D	-	
200 V ac	I	G, K, J	B	-	E-17 to TB1B-4
650 V ac	I	H, K, J	B	-	E-17 to TB1B-4
True-differential	C	--	-	-	

* Refer to **Figure 5-3** on the following page for solder switch locations.

5.3 BLANKING THE LEAST-SIGNIFICANT DIGIT

To blank the least-significant digit, open solder switch 'A' on the circuit side of the display board.

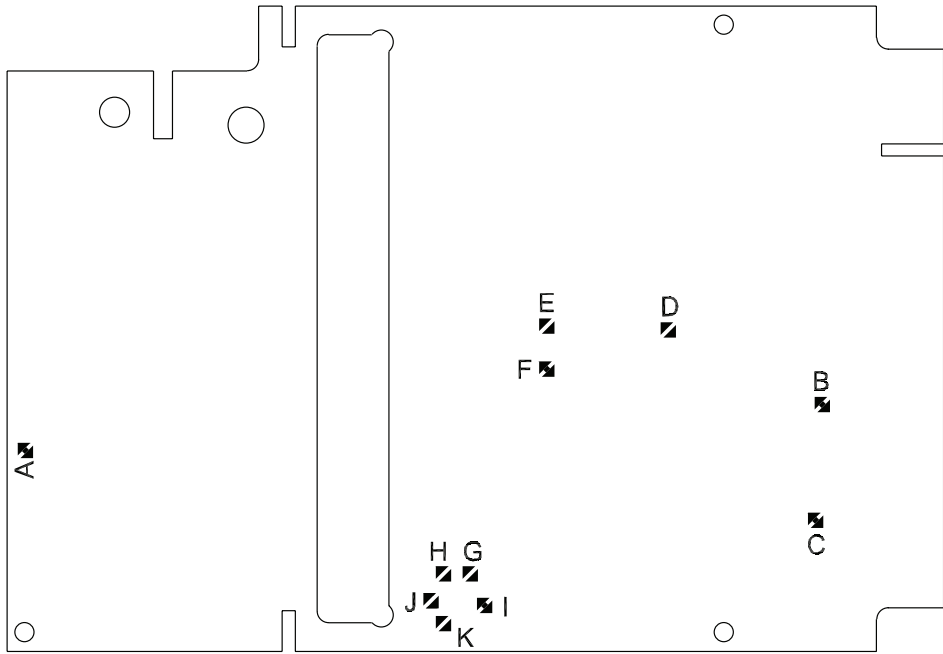


Figure 5-3 Solder Switch Locations

6.0 CALIBRATION

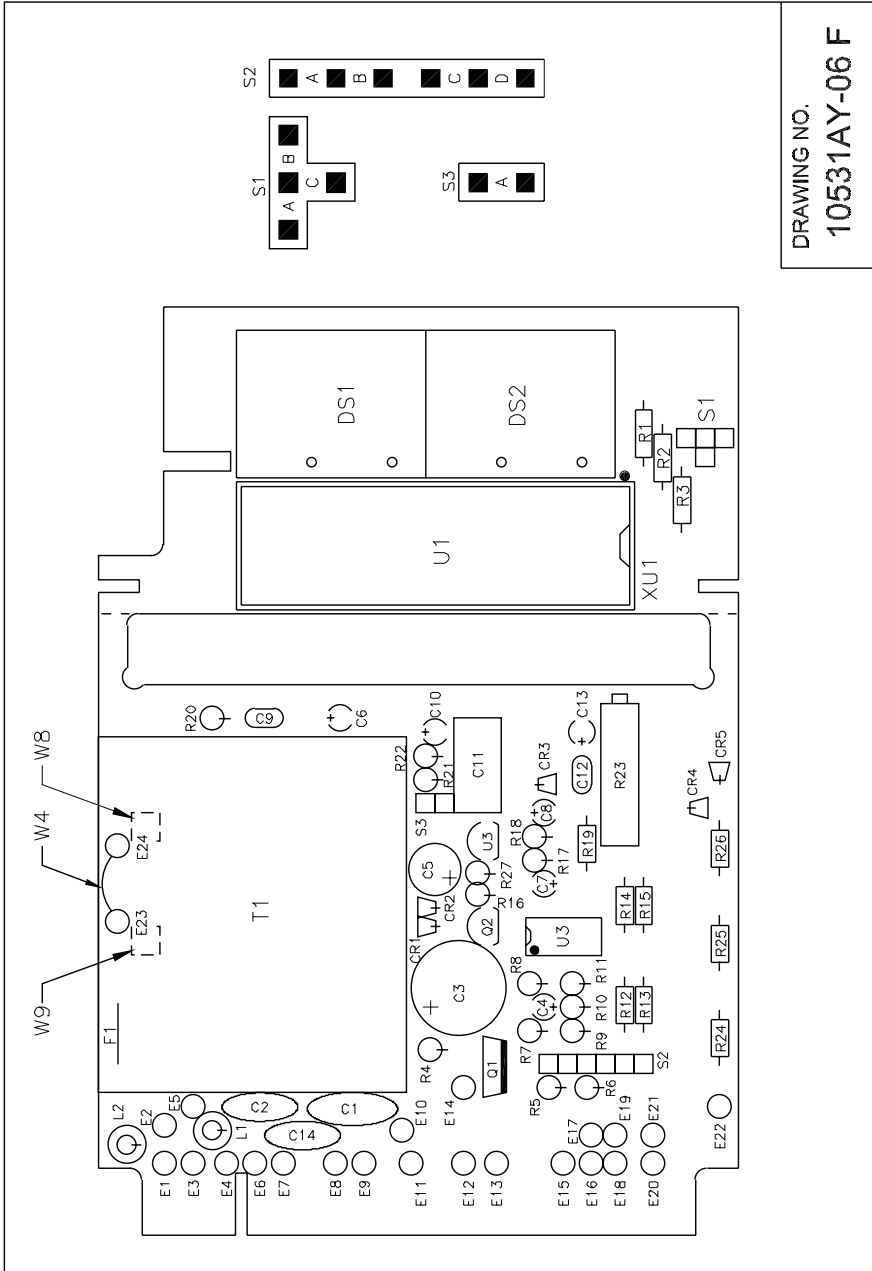
6.1 DC VOLTAGE RANGES

1. Remove the front lens. Insert a blade screwdriver under the notch at the bottom of the lens and gently pry it off.
2. Short the input signal connections and verify that the display reads zero.
3. Apply an input voltage equal to 95% of the high end of the range selected.
4. Locate the Span potentiometer (R23) in **Figure 3-2**. Adjust until the display reads 1900 ± 1 count.

6.2 AC VOLTAGE RANGES

1. Follow steps 1 and 2 from above.
2. Apply an input voltage equal to 110.0 V ac at 50 or 60 Hz on 200 V ac range or 220 V ac at 50 or 60 Hz on 650 V ac range.
3. Locate the Span potentiometer (R23) in **Figure 3-2**. Adjust until the display reads:
 - 110.0 on 200 V ac range
 - 220 on 650 V ac range

7.0 DRAWINGS



DRAWING NO.
10531AY-06 F

Figure 7-1 Assembly Diagram

WARRANTY/DISCLAIMER

OMEGA ENGINEERING, INC. warrants this unit to be free of defects in materials and workmanship for a period of **13 months** from date of purchase. OMEGA Warranty adds an additional one (1) month grace period to the normal **one (1) year product warranty** to cover handling and shipping time. This ensures that OMEGA's customers receive maximum coverage on each product.

If the unit should malfunction, it must be returned to the factory for evaluation. OMEGA's Customer Service Department will issue an Authorized Return (AR) number immediately upon phone or written request. Upon examination by OMEGA, if the unit is found to be defective it will be repaired or replaced at no charge. OMEGA's WARRANTY does not apply to defects resulting from any action of the purchaser, including but not limited to mishandling, improper interfacing, operation outside of design limits, improper repair, or unauthorized modification. This WARRANTY is VOID if the unit shows evidence of having been tampered with or shows evidence of being damaged as a result of excessive corrosion; or current, heat, moisture or vibration; improper specification; misapplication; misuse or other operating conditions outside of OMEGA's control. Components which wear are not warranted, including but not limited to contact points, fuses, and triacs.

OMEGA is pleased to offer suggestions on the use of its various products. However, OMEGA neither assumes responsibility for any omissions or errors nor assumes liability for any damages that result from the use of its products in accordance with information provided by OMEGA, either verbal or written. OMEGA warrants only that the parts manufactured by it will be as specified and free of defects. OMEGA MAKES NO OTHER WARRANTIES OR REPRESENTATIONS OF ANY KIND WHATSOEVER, EXPRESSED OR IMPLIED, EXCEPT THAT OF TITLE, AND ALL IMPLIED WARRANTIES INCLUDING ANY WARRANTY OF MERCHANTABILITY AND FITNESS FOR A PARTICULAR PURPOSE ARE HEREBY DISCLAIMED. LIMITATION OF LIABILITY: The remedies of purchaser set forth herein are exclusive and the total liability of OMEGA with respect to this order, whether based on contract, warranty, negligence, indemnification, strict liability or otherwise, shall not exceed the purchase price of the component upon which liability is based. In no event shall OMEGA be liable for consequential, incidental or special damages.

CONDITIONS: Equipment sold by OMEGA is not intended to be used, nor shall it be used: (1) as a "Basic Component" under 10 CFR 21 (NRC), used in or with any nuclear installation or activity; or (2) in medical applications or used on humans. Should any Product(s) be used in or with any nuclear installation or activity, medical application, used on humans, or misused in any way, OMEGA assumes no responsibility as set forth in our basic WARRANTY/DISCLAIMER language, and additionally, purchaser will indemnify OMEGA and hold OMEGA harmless from any liability or damage whatsoever arising out of the use of the Product(s) in such a manner.

RETURN REQUESTS / INQUIRIES

Direct all warranty and repair requests/inquiries to the OMEGA Customer Service Department. BEFORE RETURNING ANY PRODUCT(S) TO OMEGA, PURCHASER MUST OBTAIN AN AUTHORIZED RETURN (AR) NUMBER FROM OMEGA'S CUSTOMER SERVICE DEPARTMENT (IN ORDER TO AVOID PROCESSING DELAYS). The assigned AR number should then be marked on the outside of the return package and on any correspondence.

The purchaser is responsible for shipping charges, freight, insurance and proper packaging to prevent breakage in transit.

FOR **WARRANTY** RETURNS, please have the following information available BEFORE contacting OMEGA:

1. P.O. number under which the product was PURCHASED,
2. Model and serial number of the product under warranty, and
3. Repair instructions and/or specific problems relative to the product.

FOR **NON-WARRANTY** REPAIRS, consult OMEGA for current repair charges. Have the following information available BEFORE contacting OMEGA:

1. P.O. number to cover the COST of the repair,
2. Model and serial number of product, and
3. Repair instructions and/or specific problems relative to the product.

OMEGA's policy is to make running changes, not model changes, whenever an improvement is possible. This affords our customers the latest in technology and engineering. OMEGA is a registered trademark of OMEGA ENGINEERING, INC. © Copyright 2012 OMEGA ENGINEERING, INC. All rights reserved. This document may not be copied, photocopied, reproduced, translated, or reduced to any electronic medium or machine-readable form, in whole or in part, without prior written consent of OMEGA ENGINEERING, INC.

Where Do I Find Everything I Need for Process Measurement and Control? OMEGA...Of Course!

TEMPERATURE

- Thermocouple, RTD & Thermistor Probes, Connectors, Panels & Assemblies
- Wire: Thermocouple, RTD & Thermistor
- Calibrators & Ice Point References
- Recorders, Controllers & Process Monitors
- Infrared Pyrometers

PRESSURE, STRAIN AND FORCE

- Transducers & Strain Gauges
- Load Cells & Pressure Gauges
- Displacement Transducers
- Instrumentation & Accessories

FLOW/LEVEL

- Rotameters, Gas Mass Flowmeters & Flow Computers
- Air Velocity Indicators
- Turbine/Paddlewheel Systems
- Totalizers & Batch Controllers

pH/CONDUCTIVITY

- pH Electrodes, Testers & Accessories
- Benchtop/Laboratory Meters
- Controllers, Calibrators, Simulators & Pumps
- Industrial pH & Conductivity Equipment

DATA ACQUISITION

- Data Acquisition & Engineering Software
- Communications-Based Acquisition Systems
- Plug-in Cards for Apple, IBM & Compatibles
- Datalogging Systems
- Recorders, Printers & Plotters

HEATERS

- Heating Cable
- Cartridge & Strip Heaters
- Immersion & Band Heaters
- Flexible Heaters
- Laboratory Heaters

ENVIRONMENTAL MONITORING AND CONTROL

- Metering & Control Instrumentation
- Refractometers
- Pumps & Tubing
- Air, Soil & Water Monitors
- Industrial Water & Wastewater Treatment
- pH, Conductivity & Dissolved Oxygen Instruments