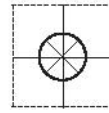


**.1 YEAR
WARRANTY**

**OMEGA
CARE**
Extended Warranty
Program

CE



Ω OMEGA® **User's Guide**

**Shop online at
omega.com®**

e-mail: *info@omega.com*
**For latest product manuals:
*omegamanual.info***



OM-USB-1608G SERIES **High Speed Multifunction USB** **Data Acquisition Modules**



OMEGAnet® Online Service
omega.com

Internet e-mail
info@omega.com

Servicing North America:

U.S.A.:
ISO 9001 Certified

Omega Engineering, Inc., One Omega Drive, P.O. Box 4047
Stamford, CT 06907-0047 USA

Toll Free: 1-800-826-6342
FAX: (203) 359-7700

TEL: (203) 359-1660
e-mail: info@omega.com

Canada:

976 Berar
Laval (Quebec), H7L 5A1, Canada
Toll-Free: 1-800-826-6342
FAX: (514) 856-6886

TEL: (514) 856-6928
e-mail: info@omega.ca

For immediate technical or application assistance:

U.S.A. and Canada: Sales Service: 1-800-826-6342 / 1-800-TC-OMEGA®

Customer Service: 1-800-622-2378 / 1-800-622-BEST®

Engineering Service: 1-800-872-9436 / 1-800-USA-WHEN®

**Mexico/
Latin America:**

TEL: 001 (203) 359-1660
e-mail: espanol@omega.com

FAX: 001 (203) 359-7700

Servicing Asia:

China:

1698 Yi Shan Road, Unit 102
Min Hang District
Shanghai, China 201103 P.R.C.
Hotline: 800 819 0559 / 400 619 0559
e-mail: info@cn.omega.com

Servicing Europe:

Benelux:

Toll-Free: 0800 099 3344
FAX: +31 20 643 46 43

TEL: +31 20 347 21 21
e-mail: sales@omegaeng.nl

Czech Republic:

Frystatska 184
733 01 Karviná, Czech Republic
TEL: +420-59-6311899
e-mail: info@omegashop.cz

FAX: +420-59-6311114

France:

Toll-Free: 0800 541 038
FAX: 01 57 32 48 18

TEL: 01 57 32 48 17
e-mail: esales@omega.fr

Germany/ Austria:

Daimlerstrasse 26
D-75392 Deckenpfronn, Germany
Toll-Free: 0800 8266342
FAX: +49 (0) 7056 9398-29

TEL: +49 (0) 7056 9398-0
e-mail: info@omega.de

United Kingdom:
ISO 9001 Certified

OMEGA Engineering Ltd.
One Omega Drive, River Bend Technology Centre, Northbank
Irlam, Manchester M44 5BD United Kingdom
Toll-Free: 0800-488-488
FAX: +44 (0) 161 777-6622

TEL: +44 (0) 161 777-6611
e-mail: sales@omega.co.uk

It is the policy of OMEGA Engineering, Inc. to comply with all worldwide safety and EMC/EMI regulations that apply. OMEGA is constantly pursuing certification of its products to the European New Approach Directives. OMEGA will add the CE mark to every appropriate device upon certification.

The information contained in this document is believed to be correct, but OMEGA accepts no liability for any errors it contains, and reserves the right to alter specifications without notice.

WARNING: These products are not designed for use in, and should not be used for, human applications.

Table of Contents

Preface	
About this User's Guide	5
What you will learn from this user's guide	5
Conventions in this user's guide	5
Where to find more information	5
Chapter 1	
Introducing the OM-USB-1608G Series	6
Functional block diagram	7
Chapter 2	
Installing a OM-USB-1608G Series Device	8
What comes with your shipment?.....	8
Hardware	8
Software.....	8
Documentation.....	8
Unpacking.....	8
Installing the software	8
Installing the hardware	8
Calibrating	9
Self-calibration	9
Factory calibration	9
Chapter 3	
Functional Details	10
Analog input modes.....	10
Software paced.....	10
Hardware paced	10
Burst mode.....	10
External components	11
USB connector	11
LEDs.....	11
Screw terminals.....	11
Signal connections.....	13
Analog input	13
Analog output (OM-USB-1608GX-2AO only)	14
External clock I/O.....	14
Digital I/O.....	14
Trigger input.....	15
Counter input.....	16
Timer output	16
Power output.....	16
Ground.....	16
Mechanical drawings.....	17
Chapter 4	
Specifications.....	18
Analog input	18
Accuracy.....	19
Analog input DC voltage measurement accuracy	19
Noise performance.....	19
Settling time.....	19
Analog output (OM-USB-1608GX-2AO only).....	20
Analog input/output calibration.....	21

Digital input/output.....	21
External trigger.....	21
External clock input/output.....	22
Counter.....	22
Timer.....	23
Memory.....	23
Power.....	23
USB.....	23
Environmental.....	24
Mechanical.....	24
Screw terminal connector.....	24
Differential mode pinout.....	24
Single-ended mode pinout.....	25

About this User's Guide

What you will learn from this user's guide

This user's guide describes the Omega Engineering OM-USB-1608G Series data acquisition devices and lists device specifications.

Conventions in this user's guide

For more information

Text presented in a box signifies additional information and helpful hints related to the subject matter you are reading.

Caution! Shaded caution statements present information to help you avoid injuring yourself and others, damaging your hardware, or losing your data.

bold text **Bold** text is used for the names of objects on a screen, such as buttons, text boxes, and check boxes.

italic text *Italic* text is used for the names of manuals and help topic titles, and to emphasize a word or phrase.

Where to find more information

Additional information about OM-USB-1608G Series hardware is available on our website at www.omega.com. You can also contact Omega Engineering by phone, fax, or email with specific questions.

- Phone: (203) 359-1660
- Fax: (203) 359-7700
- Email: das@omega.com

Introducing the OM-USB-1608G Series

The OM-USB-1608G Series includes the following devices:

- OM-USB-1608G
- OM-USB-1608GX
- OM-USB-1608GX-2AO

These devices are USB 2.0 high-speed devices that are supported under Microsoft Windows 8, Windows 7, Windows Vista, and Windows XP; 32-bit or 64-bit.

The OM-USB-1608G Series is compatible with both USB 1.1 and USB 2.0 ports. The speed of the device may be limited when using a USB 1.1 port due to the difference in transfer rates on the USB 1.1 versions of the protocol (low-speed and full-speed).

Each OM-USB-1608G Series device provides the following features:

- 16 single-ended (SE) or eight differential (DIFF) analog input channels
- Eight individually configurable digital I/O channels
- Two counter channels (32-bit) that count TTL pulses
- One timer output channel (32-bit)
- Screw terminals for field wiring connections

The OM-USB-1608GX-2AO also provides two analog output channels. You can pace each channel at rates of up to 500 kS/s per second. You can pace both channels simultaneously at rates of up to 250 kS/s.

OM-USB-1608G Series devices are powered by the +5 volt USB supply from your computer, and require no external power.

Functional block diagram

OM-USB-1608G Series functions are illustrated in the block diagram shown here.

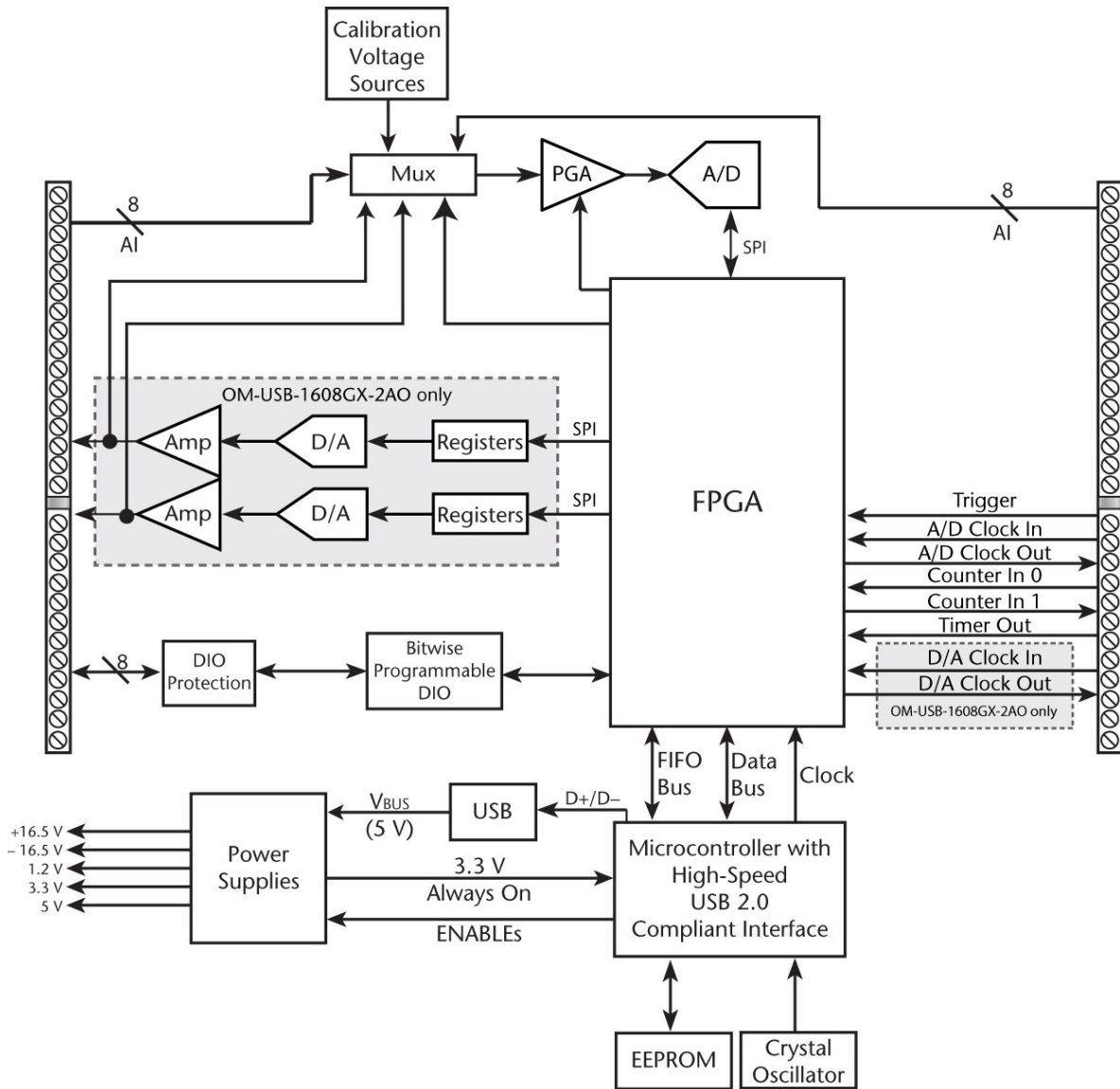


Figure 1. OM-USB-1608G Series functional block diagram

Installing a OM-USB-1608G Series Device

What comes with your shipment?

Verify that the following hardware components are included in the shipment:

Hardware

- OM-USB-1608G Series device — OM-USB-1608G, OM-USB-1608GX, or OM-USB-1608GX-2AO
- USB cable

Software

- Software for OMB-DAQ-2400, OM-USB, OM-WEB, and OM-WLS Series Data Acquisition Modules CD

Documentation

In addition to this hardware user's guide, you should also receive the *OMB-DAQ-2400, OM-USB, OM-WEB, and OM-WLS Series Data Acquisition Software User's Guide*. This booklet provides an overview of the software you received with the device, and includes information about installing the software.

Unpacking

As with any electronic device, take care while handling to avoid damage from static electricity. Before removing the OM-USB-1608G Series device from its packaging, ground yourself using a wrist strap or by simply touching the computer chassis or other grounded object to eliminate any stored static charge.

If any components are missing or damaged, notify Omega Engineering immediately by phone, fax, or e-mail.

- Phone: (203) 359-1660
- Fax: (203) 359-7700
- Email: das@omega.com

Installing the software

Refer to the *Software for OMB-DAQ-2400, OM-USB, OM-WEB, and OM-WLS Series Data Acquisition Modules User's Guide* for instructions on installing the software on the CD. This booklet is available in PDF at <http://www.omega.com/manuals/manualpdf/M4803.pdf>.

Installing the hardware

Install the software before you install your hardware

The driver needed to run your board is installed with the software. Therefore, you need to install the software before you install your hardware.

To connect a OM-USB-1608G Series device to your system, turn on your computer and connect the USB cable to an available USB port on the computer or to an external USB hub connected to the computer. Connect the other end of the USB cable to the USB connector on the device. No external power is required.

When you connect the device for the first time to a computer running Windows, a **Found New Hardware** dialog opens when the operating system detects the device. The dialog closes after the device is installed.

A green **Status** LED indicates the device status. When the LED is on, the device is powered and ready for operation. When the LED is off, the device is not powered or did not initialize. Figure 3 on page 11 shows the location of the **Status** LED.

If the Status LED is off

If the **Status** LED is on but then turns off, the computer has lost communication with the OM-USB-1608G Series device. To restore communication, disconnect the USB cable from the computer and then reconnect it. This should restore communication, and the LED should turn on.

Calibrating

Self-calibration

OM-USB-1608G Series hardware supports self-calibration. Use InstaCal to calibrate the device whenever the ambient temperature changes by more than ± 10 °C from the last self-calibration.

Factory calibration

The Omega Engineering Manufacturing Test department performs the initial factory calibration. Contact Omega Engineering for details about how to return your device and have it calibrated to the factory specifications.

Functional Details

Analog input modes

OM-USB-1608G Series devices can acquire analog input data in two basic modes – software paced and hardware paced.

Software paced

You can acquire one analog sample at a time in software paced mode. You initiate the A/D conversion with a software command. The analog value is converted to digital data and returned to the computer. Repeat this procedure until you have the total number of samples that you want.

The sample rate in software paced mode is system-dependent and can range from 33 S/s to 4000 S/s.

Hardware paced

You can acquire data from up to 16 channels in hardware paced mode. The analog data is continuously acquired, converted to digital values, and written into the FIFO buffer on the device until you stop the scan. The FIFO buffer is serviced in blocks as the data is transferred from the FIFO buffer to the computer memory buffer. You start a continuous scan with either a software command or with an external hardware trigger event.

The maximum sampling rate in hardware paced mode from one to 16 channels is 500 kS/s aggregate for the OM-USB-1608GX and OM-USB-1608GX-2AO, and 250 kS/s for the OM-USB-1608G.

Burst mode

When using the onboard pacer, you can enable burst mode for more precise timing between samples. When burst mode is enabled, each successive channel in a scan is sampled at the maximum A/D rate. This ensures that samples from each channel are taken as close as possible to the same absolute point in time. When burst mode is disabled, data is sampled at evenly spaced intervals, allowing maximum settling time and best amplitude accuracy. Multi-channel scanning with burst mode enabled and disabled is shown in Figure 2.

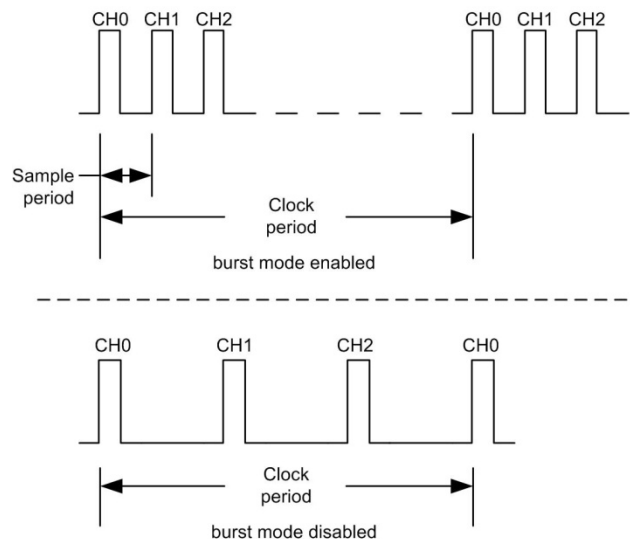


Figure 2. Multi-channel scan with burst mode enabled and disabled

The burst mode sample period is 2 μ s on the OM-USB-1608GX and OM-USB-1608GX-2AO, and 4 μ s on the OM-USB-1608G.

You can trigger the acquisition with the external trigger, and control the clock period with the internal or external A/D pacer clock. Pacing from the external clock always operates with burst mode enabled.

External components

OM-USB-1608G Series devices have the following external components (see Figure 3):

- USB connector
- LEDs
- Screw terminals

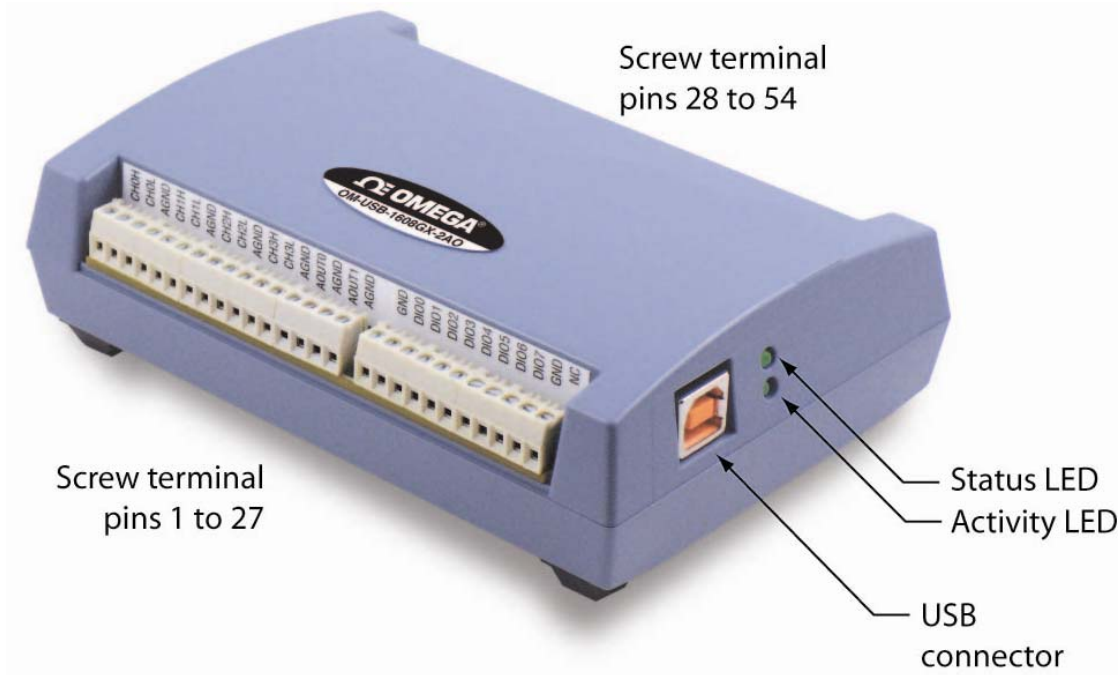


Figure 3. OM-USB-1608G Series device external components

USB connector

The USB connector provides +5 V power and communication. No external power supply is required.

LEDs

OM-USB-1608G Series devices have two LEDs – **Status** and **Activity**.

- The **Status** LED turns on when the device is detected and installed on the computer.
- The **Activity** LED blinks when data is transferred, and is off otherwise.

Figure 3 shows the location of each LED.

Screw terminals

The OM-USB-1608G Series device screw terminals provide the following connections:

- 16 SE (**CH0** to **CH15**) or eight DIFF (**CH0H/CH0L** to **CH7H/CH7L**) analog input connections
- Eight digital I/O connections (**DIO0** to **DIO7**)
- Two analog output connections (**AOUT0**, **AOUT1**) – OM-USB-1608GX-2AO *only*
- One external clock input (**AICKI**) and one external clock output (**AICKO**) for analog inputs
- One external clock input (**AOCKI**) and one external clock output (**AOCKO**) for analog outputs – OM-USB-1608GX-2AO *only*
- One digital trigger input (**TRIG**)
- Two counter inputs (**CTR0**, **CTR1**)
- One timer output (**TMR**)
- One power output (**+5V**)
- 13 analog ground (**AGND**) and five digital ground (**GND**) connections

The single-ended mode pinout is shown in Figure 4. The differential mode pinout is shown in Figure 5.

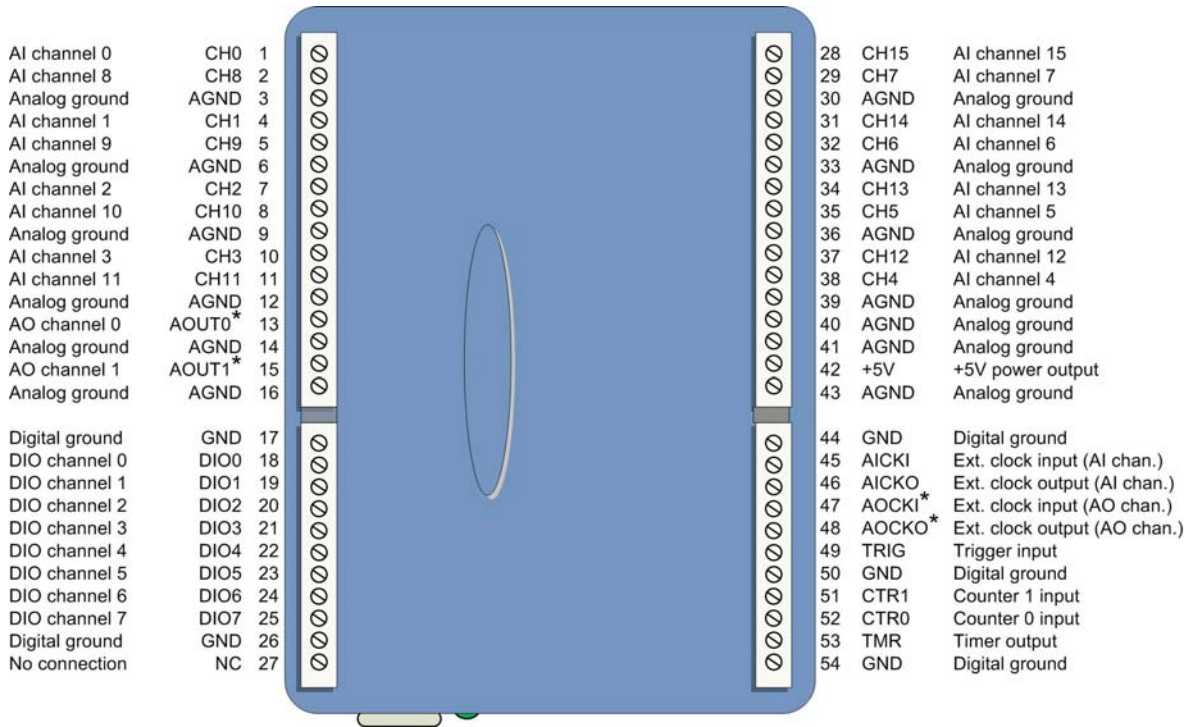


Figure 4. SE mode pinout

* OM-USB-1608GX-2AO only. "NC" (no connection) on the OM-USB-1608G and OM-USB-1608GX. Do not connect anything to pins labeled "NC".

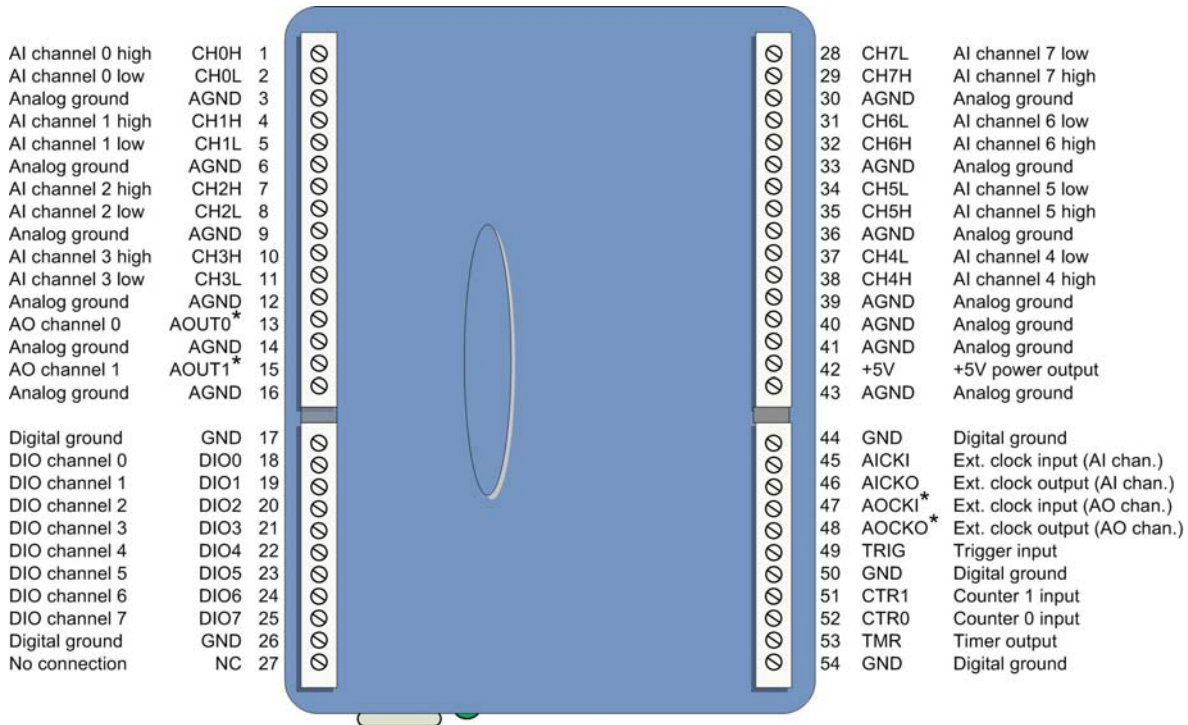


Figure 5. DIFF mode pinout

* OM-USB-1608GX-2AO only. "NC" (no connection) on the OM-USB-1608G and OM-USB-1608GX. Do not connect anything to pins labeled "NC".

Signal connections

Analog input

You can configure the analog inputs for SE or DIFF mode. The input voltage range is software selectable for ± 10 V, ± 5 V, ± 2 V, or ± 1 V.

With SE mode, connect up to 16 inputs to screw terminals **CH0** to **CH15**. SE mode requires two wires:

- Connect one wire to the signal you want to measure (**CHx**).
- Connect one wire to the analog ground reference (**AGND**).

Refer to Figure 4 on page 12 for the location of the SE inputs.

With DIFF mode, connect up to eight differential inputs to screw terminals **CH0H/CH0L** to **CH7H/CH7L**. DIFF mode requires two wires plus a ground reference:

- Connect one wire to the high/positive signal (**CHxH**).
- Connect one wire to the low/negative signal (**CHxL**).
- Connect one wire to the analog ground reference (**AGND**).

Refer to Figure 5 on page 12 for the location of the DIFF inputs.

Floating voltage source

When connecting DIFF voltage inputs to a "floating" voltage source, make sure the DIFF input channel has a DC return path to ground. To create this path, connect a resistor from each low channel input to an AGND pin. A value of approximately 100 k Ω can be used for most applications.

Leave unused input channels either floating or tied to an AGND terminal. Source impedances should be kept as small as possible to avoid settling time and accuracy errors.

Figure 6 shows DIFF channels 0-3 connected to a ground path resistor.

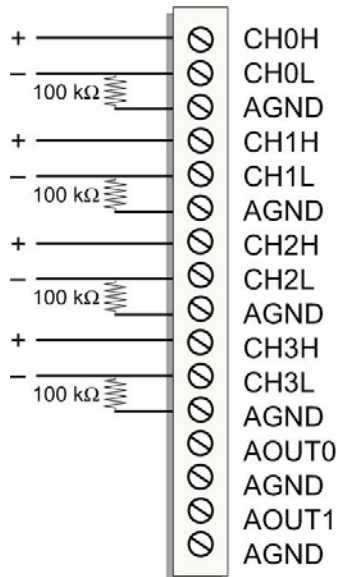


Figure 6. DIFF connections with ground path resistor

Channel-Gain queue

The OM-USB-1608G Series channel-gain queue feature allows you to configure a list of channels, modes, and gains for each scan. The settings are stored in a channel-gain queue list that is written to local memory on the device.

The channel-gain queue list contains one or more channel numbers, modes, and range settings. You can configure up to 16 elements. The channels can be listed in any order, and can include duplicate channels for sampling at different ranges.

An example of a 4-element list is shown in the table below.

Sample channel gain queue list

Element	Channel	Range	Mode
0	CH5	BIP5V	SE
1	CH1	BIP10V	DIFF
2	CH15	BIP1V	SE
3	CH5	BIP5V	SE

Carefully match the gain to the expected voltage range on the associated channel or an over range condition may occur. Although this condition does not damage the device, it does produce a useless full-scale reading, and can introduce a long recovery time due to saturation of the input channel.

For more information about analog signal connections

For more information about analog input connections, refer to the *OMB-DAQ-2400, OM-USB, OM-WEB, and OM-WLS Series General Guide to Signal Connections* (available on our web site at www.omega.com/manuals/manualpdf/M4830.pdf).

Analog output (OM-USB-1608GX-2AO only)

The OM-USB-1608GX-2AO has two 16-bit analog outputs (**AOUT0** and **AOUT1**). Both outputs can be updated simultaneously at a rate of 250 kS/s per channel. One output can be updated at a rate of 500 kS/s. The output range is fixed at ± 10 V. The outputs default to 0 V when the host computer is shut down or suspended, or when a reset command is issued to the device.

External clock I/O

OM-USB-1608G Series devices provide one external clock input (**AICKI**) and one external clock output (**AICKO**) for analog inputs.

The OM-USB-1608GX-2AO also has one external clock input (**AOCKI**) and one external clock output (**AOCKO**) for analog outputs.

- You can connect an external clock signal to **AICKI** and/or **AOCKI**.
When using an external clock, **AICKO** outputs the pulse generated from **AICKI**.
When using a OM-USB-1608GX-2AO, **AOCKO** outputs the pulse generated from **AOCKI**.
- When using the internal clock, **AICKO** outputs the ADC scan clock.
When using a OM-USB-1608GX-2AO, **AOCKO** outputs the DAC scan clock.

Digital I/O

You can connect up to eight digital I/O lines to **DIO0** through **DIO7**. Each digital channel is individually configurable for input or output. The digital I/O terminals can detect the state of any TTL-level input. Refer to the schematic shown in Figure 7.

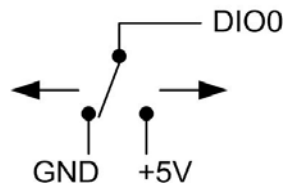


Figure 7. Schematic showing switch detection by digital channel DIO0

If you set the switch to the +5 V input, DIO0 reads *TRUE* (1). If you move the switch to GND, DIO0 reads *FALSE* (0).

Internal pull-up/down configuration

Unconnected inputs are pulled low by default to 0 V through 47 k Ω resistors via jumper **W1** on the circuit board. The pull-up/pull-down voltage is common to all 47 k Ω resistors. Complete the following steps to configure these inputs to pull high (+5V).

Caution! The discharge of static electricity can damage some electronic components. Before removing the OM-USB-1608G Series device from its housing, ground yourself using a wrist strap or touch the computer chassis or other grounded object to eliminate any stored static charge.

1. Turn the device over and rest the top of the housing on a flat, stable surface.
2. Peel off the four rubber feet on the bottom of the device to access the screws.
3. Remove the four screws from the bottom of the device.
4. Hold both the top and bottom sections together, turn the device over and rest it on the surface, then carefully remove the top section of the case to expose the circuit board.
5. Configure jumper **W1** for either pull-up or pull-down. The jumper is configured by default for pull-down. Figure 8 shows the location of the jumper on the board.

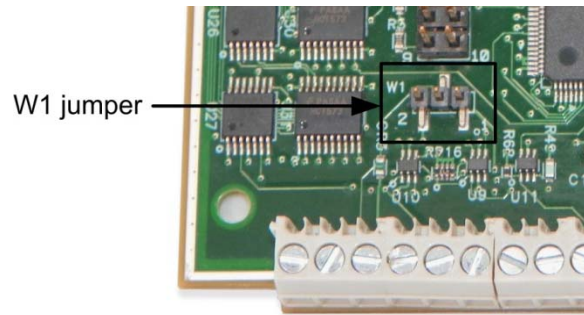


Figure 8. W1 jumper location

Figure 9 shows the jumper configured for pull-up and pull-down.



Figure 9. W1 jumper configurations

6. Replace the top section of the case, and fasten it to the bottom section with the four screws. Replace the rubber feet onto each screw.

For more information about digital signal connections

For general information about digital signal connections and digital I/O techniques, refer to the *OMB-DAQ-2400*, *OM-USB*, *OM-WEB*, and *OM-WLS Series General Guide to Signal Connections* (available on our web site at www.omega.com/manuals/manualpdf/M4830.pdf).

Trigger input

The **TRIG** terminal is an external digital trigger input. The trigger mode is software selectable for edge or level sensitive.

- Edge sensitive mode is configurable for rising or falling edge.
- Level sensitive mode is configurable for high or low level.

The default setting at power up is edge sensitive, rising edge.

Retrigger mode

Retrigger mode lets you set up repetitive analog input or output trigger events. The trigger is automatically re-armed after it is activated. Use software to set the A/D or D/A trigger count (the number of samples you want per trigger).

Counter input

The **CTR0** and **CTR1** terminals are 32-bit event counters that can accept frequency inputs up to 20 MHz. The internal counter increments when the TTL levels transition from low to high.

Timer output

The **TMR** terminal is a pulse width modulation (PWM) timer output that can generate a pulse output with a programmable frequency in the range of 0.0149 Hz to 32 MHz. The timer output parameters are software selectable. Figure 10 shows the timer output schematic.

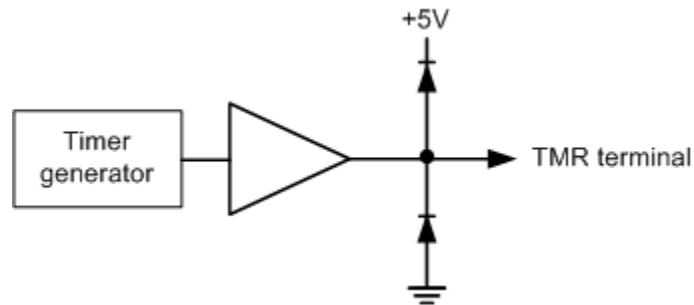


Figure 10. Timer output schematic

Power output

The **+5V** terminal can output up to 10 mA maximum. You can use this terminal to supply power to external devices or circuitry.

Caution! The **+5V** terminal is an output. Do not connect to an external power supply or you may damage the device and possibly the computer.

Ground

The analog ground (**AGND**) terminals provide a common ground for all analog channels.

The digital ground (**GND**) terminals provide a common ground for the digital, counter, timer, and clock channels and the power terminal.

Mechanical drawings

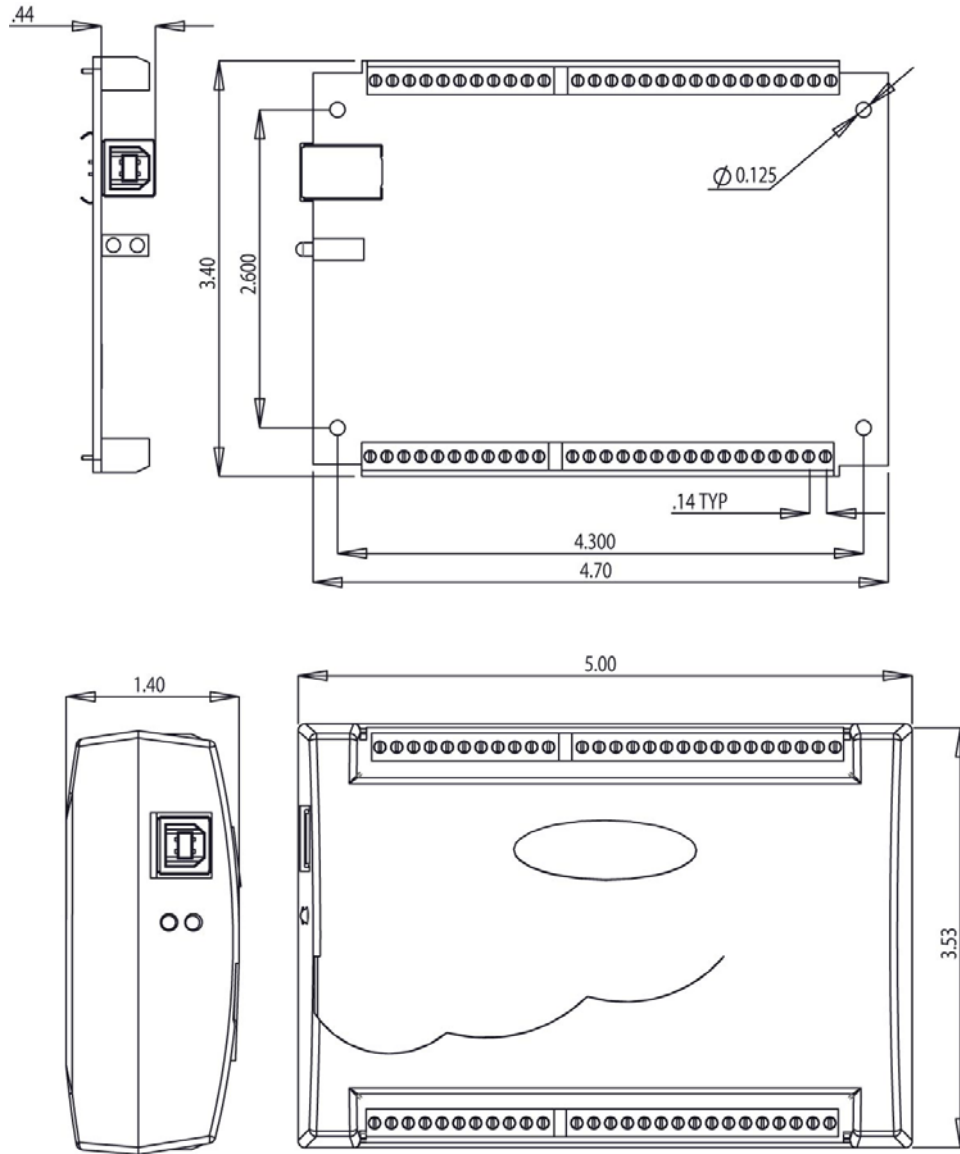


Figure 11. OM-USB-1608G Series device circuit board (top) and enclosure dimensions

Specifications

All specifications are subject to change without notice.

Typical for 25 °C unless otherwise specified.

Specifications in *italic text* are guaranteed by design.

Analog input

Table 1. General analog input specifications

Parameter	Condition	Specification
A/D converter type		Successive approximation
ADC resolution		16 bits
Number of channels		8 differential, 16 single-ended; software-selectable
Input voltage range		$\pm 10\text{ V}$, $\pm 5\text{ V}$, $\pm 2\text{ V}$, $\pm 1\text{ V}$; software-selectable per channel
<i>Absolute max input voltage</i>	<i>CHx relative to AGND</i>	<ul style="list-style-type: none"> ▪ $\pm 25\text{ V max (power on)}$ ▪ $\pm 15\text{ V max (power off)}$
<i>Input impedance</i>		<ul style="list-style-type: none"> ▪ $1\text{ G}\Omega$ (power on) ▪ $820\ \Omega$ (power off)
<i>Input bias current</i>		$\pm 10\text{ nA}$
Input bandwidth	All input ranges, small signal (-3 dB)	OM-USB-1608G: 750 kHz OM-USB-1608GX: 870 kHz OM-USB-1608GX-2AO: 870 kHz
<i>Input capacitance</i>		60 pf
Max working voltage (signal + common mode)	$\pm 10\text{V}$ range	$\pm 10.2\text{ V max relative to AGND}$
	$\pm 5\text{V}$ range	$\pm 10.2\text{ V max relative to AGND}$
	$\pm 2\text{V}$ range	$\pm 9.5\text{ V max relative to AGND}$
	$\pm 1\text{V}$ range	$\pm 9.0\text{ V max relative to AGND}$
Common mode rejection ratio	($f_{\text{IN}} = 60\text{ Hz}$, all input ranges)	86 dB
Crosstalk	Adjacent differential mode channels, DC to 100 kHz	-75 dB
Input coupling		DC
Sampling rate		OM-USB-1608G: 0.0149 Hz to 250 kHz OM-USB-1608GX: 0.0149 Hz to 500 kHz OM-USB-1608GX-2AO: 0.0149 Hz to 500 kHz Software-selectable
Trigger source		TRIG (see <i>External trigger</i> on page 21)
Sample clock source		Internal A/D clock or external A/D clock (AICKI pin)
Burst mode		OM-USB-1608G: 4 μs OM-USB-1608GX: 2 μs OM-USB-1608GX-2AO: 2 μs Software-selectable using the internal A/D clock; always enabled when using the external clock (AICKI pin).
Throughput	Software paced	33 to 4000 S/s typ, system dependent
	Hardware paced	OM-USB-1608G: 250 kS/s max OM-USB-1608GX: 500 kS/s max OM-USB-1608GX-2AO: 500 kS/s max
Channel gain queue	Up to 16 elements	Software-selectable range for each channel
Warm-up time		15 minutes min

Accuracy

Analog input DC voltage measurement accuracy

Table 2. DC Accuracy components and specifications. All values are (\pm)

Range	Gain error (% of reading)	Offset error (μ V)	INL error (% of range)	Absolute accuracy at Full Scale (μ V)	Gain temperature coefficient (% reading/ $^{\circ}$ C)	Offset temperature coefficient (μ V/ $^{\circ}$ C)
± 10 V	0.024	915	0.0076	4075	0.0014	47
± 5 V	0.024	686	0.0076	2266	0.0014	24
± 2 V	0.024	336	0.0076	968	0.0014	10
± 1 V	0.024	245	0.0076	561	0.0014	5

Noise performance

For the peak-to-peak noise distribution test, a differential input channel is connected to AGND at the input terminal block, and 32,000 samples are acquired at the maximum rate available at each setting.

Table 3. Noise performance specifications

Range	Counts	LSBrms
± 10 V	6	0.91
± 5 V	6	0.91
± 2 V	7	1.06
± 1 V	9	1.36

Settling time

Settling time is defined as the accuracy that can be expected after one conversion when switching from a channel with a DC input at one extreme of full scale to another channel with a DC input at the other extreme of full scale. Both input channels are configured for the same input range.

OM-USB-1608GX, OM-USB-1608GX-2AO

Table 4. Input settling time specifications in μ S, typical

Range	2 μ S settling accuracy (% FSR)	4 μ S settling accuracy (% FSR)	9 μ S settling accuracy (% FSR)
± 10 V	0.1251	0.0031	0.0015
± 5 V	0.0687	0.0031	0.0015
± 2 V	0.0687	0.0031	0.0015
± 1 V	0.0687	0.0031	0.0015

OM-USB-1608G

Table 5. Input settling time specifications in μ S, typical

Range	4 μ S settling accuracy (% FSR)	6 μ S settling accuracy (% FSR)	± 10 μ S settling accuracy (% FSR)
± 10 V	0.0061	0.0031	0.0015
± 5 V	0.0061	0.0031	0.0015
± 2 V	0.0061	0.0031	0.0015
± 1 V	0.0061	0.0031	0.0015

Analog output (OM-USB-1608GX-2AO only)

Table 6. Analog output specifications

Parameter	Condition	Specification
Number of channels		2
Resolution		16 bits
Output ranges	Calibrated	± 10 V
Output transient	Host computer is reset, powered on, suspended, or a reset command is issued to the device	Duration: 500 μ s Amplitude: 2 V p-p
	Powered off	Duration: 10 ms Amplitude: 7 V peak
Differential non-linearity		± 0.25 LSB typ ± 1 LSB max
Output current	AOUTx pins	± 3.5 mA max
Output short-circuit protection	AOUTx connected to AGND	Unlimited duration
Output coupling		DC
Power on and reset state		DACs cleared to zero-scale: 0 V, ± 50 mV
Output noise		30 μ Vrms
Trigger source		TRIG (see External trigger on page 21)
Sample clock source		Internal D/A clock or external D/A clock (AOCKI pin)
Output update rate		500 kHz / (number of channels in scan)
Settling time	To rated accuracy, 10 V step	40 μ s
Slew rate		9 V/ μ s
Throughput	Software paced	33 to 4000 S/s typ, system-dependent
	Hardware paced	500 kS/s max, system-dependent

Note 1: Leave unused AOUTx output channels disconnected.

Note 2: AOUTx defaults to 0 V whenever the host computer is reset, powered on, suspended, or a reset command is issued to the device.

Table 7. Calibrated absolute accuracy specifications

Range	Absolute accuracy (\pm LSB)
± 10 V	16.0

Table 8. Calibrated absolute accuracy components specifications

Range	% of reading	Offset (\pm mV)	Offset tempco (μ V/ $^{\circ}$ C)	Gain tempco (ppm of range/ $^{\circ}$ C)
± 10 V	± 0.0183	1.831	12.7	13

Table 9. Relative accuracy specifications (\pm LSB)

Range	Relative accuracy (INL)
± 10 V	4.0 typ

Analog input/output calibration

Table 10. Analog input/output calibration specifications

Parameter	Specification
Recommended warm-up time	15 minutes min
Calibration method	Self-calibration (firmware)
Calibration interval	1 year (factory calibration)
AI calibration reference	+5 V, ± 2.5 mV max. Actual measured values stored in EEPROM.
	Tempco: 5 ppm/ $^{\circ}$ C max
	Long term stability: 15 ppm/1000 hours
AO calibration procedure (OM-USB-1608GX-2AO only)	The analog output pins are internally routed to the analog input circuit. For best calibration results, disconnect any AOUTx connections at the terminal block pins prior to performing AOUT calibration.

Digital input/output

Table 11. Digital input/output specifications

Parameter	Specification
Digital type	CMOS
Number of I/O	8
Configuration	Each bit may be configured as input (power on default) or output
Pull-up configuration	The port has 47 k Ω resistors configurable as pull-ups or pull-downs (default) via internal jumper (W1).
Digital I/O transfer rate (system-paced)	33 to 8000 port reads/writes or single bit reads/writes per second typ, system dependent.
Input high voltage	2.0 V min 5.5 V absolute max
Input low voltage	0.8 V max -0.5 V absolute min 0 V recommended min
Output high voltage	4.4 V min (IOH = -50 μ A) 3.76 V min (IOH = -2.5 mA)
Output low voltage	0.1 V max (IOL = 50 μ A) 0.44 V max (IOL = 2.5 mA)
Output current	± 2.5 mA max

External trigger

Table 12. External trigger specifications

Parameter	Specification
Trigger source	TRIG input
Trigger mode	Software programmable for edge or level sensitive, rising or falling edge, high or low level. Power on default is edge sensitive, rising edge.
Trigger latency	1 μ s + 1 clock cycle max
Trigger pulse width	100 ns min
Input type	Schmitt trigger, 33 Ω series resistor and 49.9 k Ω pull-down to ground
Schmitt trigger hysteresis	0.4 V to 1.2 V
Input high voltage	2.2 V min 5.5 V absolute max
Input low voltage	1.5 V max -0.5 V absolute min 0 V recommended min

External clock input/output

Table 13. External clock I/O specifications

Parameter	Specification
Terminal names	<ul style="list-style-type: none"> ▪ AICKI, AICKO, ▪ AOCKI, AOCKO (OM-USB-1608GX-2AO only)
Terminal types	AxCKI: Input, active on rising edge AxCKO: Output, power on default is 0 V, active on rising edge
Terminal descriptions	AxCKI: Receives sampling clock from external source AxCKO: Outputs the internal sampling clock (D/A or A/D clock) or the pulse generated from AxCKI when in external clock mode.
Input clock rate	OM-USB-1608G: 250 kHz max OM-USB-1608GX: 500 kHz max OM-USB-1608GX-2AO: 500 kHz max
Clock pulse width	AxCKI: 400 ns min AxCKO: 400 ns min
Input type	Schmitt trigger, 33 Ω series resistor, 47 k Ω pull-down to ground
Schmitt trigger hysteresis	0.4 V to 1.2 V
Input high voltage	2.2 V min 5.5 V absolute max
Input low voltage	1.5 V max -0.5 V absolute min 0 V recommended min
Output high voltage	4.4 V min (IOH = -50 μ A) 3.76 V min (IOH = -2.5 mA)
Output low voltage	0.1 V max (IOL = 50 μ A) 0.44 V max (IOL = 2.5 mA)
Output current	\pm 2.5 mA max

Counter

Table 14. Counter specifications

Parameter	Specification
Terminal names	CTR0, CTR1
Number of channels	2 channels
Resolution	32-bit
Counter type	Event counter
Input type	Schmitt trigger, 33 Ω series resistor, 47 k Ω pull-down to ground
Input source	CTR0 (pin 52) CTR1 (pin 51)
Counter read/writes rates (software paced)	33 to 8000 reads/writes per second typ, system dependent
Input high voltage	2.2 V min, 5.5 V max
Input low voltage	1.5 V max, -0.5 V min
Schmitt trigger hysteresis	0.4 V min, 1.2 V max
Input frequency	20 MHz, max
High pulse width	25 ns, min
Low pulse width	25 ns, min

Timer

Table 15. Timer specifications

Parameter	Specification
Terminal name	TMR
Timer type	PWM output with count, period, delay, and pulse width registers
Output value	Default state is idle low with pulses high, Software-selectable output invert
Internal clock frequency	64 MHz
Register widths	32-bit
High pulse width	15.625 ns min
Low pulse width	15.625 ns min
Output high voltage	4.4 V min (IOH = -50 μ A) 3.76 V min (IOH = -2.5 mA)
Output low voltage	0.1 V max (IOL = 50 μ A) 0.44 V max (IOL = 2.5 mA)
Output current	\pm 2.5 mA max

Memory

Table 16. Memory specifications

Parameter	Specification
Data FIFO	4 kS analog input/2 kS analog output
Non-volatile memory	32 KB (28 KB firmware storage, 4 KB calibration/user data)

Power

Table 17. Power specifications

Parameter	Condition	Specification
Supply current (Note 3)	Quiescent current	OM-USB-1608G: 230 mA OM-USB-1608GX: 230 mA OM-USB-1608GX-2AO: 260 mA
+5 V user output voltage range	Available at terminal block pin 42	4.5 V min to 5.25 V max
+5 V user output current	Available at terminal block pin 42	10 mA max

Note 3: This is the total quiescent current requirement for the device that includes up to 10 mA for the Status LED. This does not include any potential loading of the digital I/O bits, +5V terminal, or the AOUTx outputs (OM-USB-1608GX-2AO only).

USB

Table 18. USB specifications

Parameter	Specification
USB device type	USB 2.0 (high-speed)
Device compatibility	USB 1.1, USB 2.0
USB cable type	A-B cable, UL type AWM 2725 or equivalent. (min 24 AWG VBUS/GND, min 28 AWG D+/D-)
USB cable length	3 m (9.84 ft) max

Environmental

Table 19. Environmental specifications

Parameter	Specification
Operating temperature range	0 °C to 55 °C max
Storage temperature range	-40 °C to 85 °C max
Humidity	0% to 90% non-condensing max

Mechanical

Table 20. Mechanical specifications

Parameter	Specification
Dimensions (L × W × H)	127 × 89.9 × 35.6 mm (5.00 × 3.53 × 1.40 in.)
User connection length	3 m (9.84 ft) max

Screw terminal connector

Table 21. Screw terminal connector specifications

Parameter	Specification
Connector type	Screw terminal
Wire gauge range	16 AWG to 30 AWG

Differential mode pinout

Table 22. 8-channel differential mode pinout

Pin	Signal name	Pin description	Pin	Signal name	Pin description
1	CH0H	Channel 0 HI	28	CH7L	Channel 7 LO
2	CH0L	Channel 0 LO	29	CH7H	Channel 7 HI
3	AGND	Analog ground	30	AGND	Analog ground
4	CH1H	Channel 1 HI	31	CH6L	Channel 6 LO
5	CH1L	Channel 1 LO	32	CH6H	Channel 6 HI
6	AGND	Analog ground	33	AGND	Analog ground
7	CH2H	Channel 2 HI	34	CH5L	Channel 5 LO
8	CH2L	Channel 2 LO	35	CH5H	Channel 5 HI
9	AGND	Analog ground	36	AGND	Analog ground
10	CH3H	Channel 3 HI	37	CH4L	Channel 4 LO
11	CH3L	Channel 3 LO	38	CH4H	Channel 4 HI
12	AGND	Analog ground	39	AGND	Analog ground
13	AOUT0 (Note 4)	Analog output 0	40	AGND	Analog ground
14	AGND	Analog ground	41	AGND	Analog ground
15	AOUT1 (Note 4)	Analog output 1	42	+5V	+5V output
16	AGND	Analog ground	43	AGND	Analog ground
	empty			empty	
17	GND	Digital ground	44	GND	Digital ground
18	DIO0	Digital input/output	45	AICKI	AI clock input
19	DIO1	Digital input/output	46	AICKO	AI clock output
20	DIO2	Digital input/output	47	AOCKI (Note 4)	AO clock input
21	DIO3	Digital input/output	48	AOCKO (Note 4)	AO clock output
22	DIO4	Digital input/output	49	TRIG	Trigger input
23	DIO5	Digital input/output	50	GND	Digital ground
24	DIO6	Digital input/output	51	CTR1	Counter 1
25	DIO7	Digital input/output	52	CTR0	Counter 0
26	GND	Digital ground	53	TMR	Timer output
27	NC	No connect	54	GND	Digital ground

Note 4: OM-USB-1608GX-2AO only. "NC" (no connection) on the OM-USB-1608G and OM-USB-1608GX.

Single-ended mode pinout

Table 23. 16-channel single-ended mode pinout

Pin	Signal name	Pin description	Pin	Signal name	Pin description
1	CH0	Channel 0	28	CH15	Channel 15
2	CH8	Channel 8	29	CH7	Channel 7
3	AGND	Analog ground	30	AGND	Analog ground
4	CH1	Channel 1	31	CH14	Channel 14
5	CH9	Channel 9	32	CH6	Channel 6
6	AGND	Analog ground	33	AGND	Analog ground
7	CH2	Channel 2	34	CH13	Channel 13
8	CH10	Channel 10	35	CH5	Channel 5
9	AGND	Analog ground	36	AGND	Analog ground
10	CH3	Channel 3	37	CH12	Channel 12
11	CH11	Channel 11	38	CH4	Channel 4
12	AGND	Analog ground	39	AGND	Analog ground
13	AOUT0 (Note 5)	Analog output 0	40	AGND	Analog ground
14	AGND	Analog ground	41	AGND	Analog ground
15	AOUT1 (Note 5)	Analog output 1	42	+5V	+5V output
16	AGND	Analog ground	43	AGND	Analog ground
	empty			empty	
17	GND	Digital ground	44	GND	Digital ground
18	DIO0	Digital input/output	45	AICKI	AI clock input
19	DIO1	Digital input/output	46	AICKO	AI clock output
20	DIO2	Digital input/output	47	AOCKI (Note 5)	AO clock input
21	DIO3	Digital input/output	48	AOCKO (Note 5)	AO clock output
22	DIO4	Digital input/output	49	TRIG	Trigger input
23	DIO5	Digital input/output	50	GND	Digital ground
24	DIO6	Digital input/output	51	CTR1	Counter 1
25	DIO7	Digital input/output	52	CTR0	Counter 0
26	GND	Digital ground	53	TMR	Timer output
27	NC	No connect	54	GND	Digital ground

Note 5: OM-USB-1608GX-2AO only. "NC" (no connection) on the OM-USB-1608G and OM-USB-1608GX.

WARRANTY/DISCLAIMER

OMEGA ENGINEERING, INC. warrants this unit to be free of defects in materials and workmanship for a period of **13 months** from date of purchase. OMEGA's WARRANTY adds an additional one (1) month grace period to the normal **one (1) year product warranty** to cover handling and shipping time. This ensures that OMEGA's customers receive maximum coverage on each product.

If the unit malfunctions, it must be returned to the factory for evaluation. OMEGA's Customer Service Department will issue an Authorized Return (AR) number immediately upon phone or written request. Upon examination by OMEGA, if the unit is found to be defective, it will be repaired or replaced at no charge. OMEGA's WARRANTY does not apply to defects resulting from any action of the purchaser, including but not limited to mishandling, improper interfacing, operation outside of design limits, improper repair, or unauthorized modification. This WARRANTY is VOID if the unit shows evidence of having been tampered with or shows evidence of having been damaged as a result of excessive corrosion; or current, heat, moisture or vibration; improper specification; misapplication; misuse or other operating conditions outside of OMEGA's control. Components in which wear is not warranted, include but are not limited to contact points, fuses, and triacs.

OMEGA is pleased to offer suggestions on the use of its various products. However, OMEGA neither assumes responsibility for any omissions or errors nor assumes liability for any damages that result from the use of its products in accordance with information provided by OMEGA, either verbal or written. OMEGA warrants only that the parts manufactured by the company will be as specified and free of defects. OMEGA MAKES NO OTHER WARRANTIES OR REPRESENTATIONS OF ANY KIND WHATSOEVER, EXPRESSED OR IMPLIED, EXCEPT THAT OF TITLE, AND ALL IMPLIED WARRANTIES INCLUDING ANY WARRANTY OF MERCHANTABILITY AND FITNESS FOR A PARTICULAR PURPOSE ARE HEREBY DISCLAIMED. LIMITATION OF LIABILITY: The remedies of purchaser set forth herein are exclusive, and the total liability of OMEGA with respect to this order, whether based on contract, warranty, negligence, indemnification, strict liability or otherwise, shall not exceed the purchase price of the component upon which liability is based. In no event shall OMEGA be liable for consequential, incidental or special damages.

CONDITIONS: Equipment sold by OMEGA is not intended to be used, nor shall it be used: (1) as a "Basic Component" under 10 CFR 21 (NRC), used in or with any nuclear installation or activity; or (2) in medical applications or used on humans. Should any Product(s) be used in or with any nuclear installation or activity, medical application, used on humans, or misused in any way, OMEGA assumes no responsibility as set forth in our basic WARRANTY/DISCLAIMER language, and, additionally, purchaser will indemnify OMEGA and hold OMEGA harmless from any liability or damage whatsoever arising out of the use of the Product(s) in such a manner.

RETURN REQUESTS/INQUIRIES

Direct all warranty and repair requests/inquiries to the OMEGA Customer Service Department. BEFORE RETURNING ANY PRODUCT(S) TO OMEGA, PURCHASER MUST OBTAIN AN AUTHORIZED RETURN (AR) NUMBER FROM OMEGA'S CUSTOMER SERVICE DEPARTMENT (IN ORDER TO AVOID PROCESSING DELAYS). The assigned AR number should then be marked on the outside of the return package and on any correspondence.

The purchaser is responsible for shipping charges, freight, insurance and proper packaging to prevent breakage in transit.

FOR **WARRANTY** RETURNS, please have the following information available BEFORE contacting OMEGA:

1. Purchase Order number under which the product was PURCHASED,
2. Model and serial number of the product under warranty, and
3. Repair instructions and/or specific problems relative to the product.

FOR **NON-WARRANTY** REPAIRS, consult OMEGA for current repair charges. Have the following information available BEFORE contacting OMEGA:

1. Purchase Order number to cover the COST of the repair,
2. Model and serial number of the product, and
3. Repair instructions and/or specific problems relative to the product.

OMEGA's policy is to make running changes, not model changes, whenever an improvement is possible. This affords our customers the latest in technology and engineering.

OMEGA is a registered trademark of OMEGA ENGINEERING, INC.

© Copyright 2012 OMEGA ENGINEERING, INC. All rights reserved. This document may not be copied, photocopied, reproduced, translated, or reduced to any electronic medium or machine-readable form, in whole or in part, without the prior written consent of OMEGA ENGINEERING, INC.

Where Do I Find Everything I Need for Process Measurement and Control?

OMEGA...Of Course!

Shop online at omega.comSM

TEMPERATURE

- Thermocouple, RTD & Thermistor Probes, Connectors, Panels & Assemblies
- Wire: Thermocouple, RTD & Thermistor
- Calibrators & Ice Point References
- Recorders, Controllers & Process Monitors
- Infrared Pyrometers

PRESSURE, STRAIN AND FORCE

- Transducers & Strain Gages
- Load Cells & Pressure Gages
- Displacement Transducers
- Instrumentation & Accessories

FLOW/LEVEL

- Rotameters, Gas Mass Flowmeters & Flow Computers
- Air Velocity Indicators
- Turbine/Paddlewheel Systems
- Totalizers & Batch Controllers

pH/CONDUCTIVITY

- pH Electrodes, Testers & Accessories
- Benchtop/Laboratory Meters
- Controllers, Calibrators, Simulators & Pumps
- Industrial pH & Conductivity Equipment

DATA ACQUISITION

- Data Acquisition & Engineering Software
- Communications-Based Acquisition Systems
- Plug-in Cards for Apple, IBM & Compatibles
- Data Logging Systems
- Recorders, Printers & Plotters

HEATERS

- Heating Cable
- Cartridge & Strip Heaters
- Immersion & Band Heaters
- Flexible Heaters
- Laboratory Heaters

ENVIRONMENTAL MONITORING AND CONTROL

- Metering & Control Instrumentation
- Refractometers
- Pumps & Tubing
- Air, Soil & Water Monitors
- Industrial Water & Wastewater Treatment
- pH, Conductivity & Dissolved Oxygen Instruments