

1 YEAR
WARRANTY

Ω OMEGA[®] **User's Guide**



*Shop online at
omega.comSM*

*e-mail: info@omega.com
For latest product manuals:
www.omegamanual.info*



FP-5300M/FP-5300CM
Schedule 80 PVC and CPVC
Molded Installation Fittings



omega.com info@omega.com

Servicing North America:

**U.S.A.
Headquarters:**

Omega Engineering, Inc.
Toll-Free: 1-800-826-6342 (USA & Canada only)
Customer Service: 1-800-622-2378 (USA & Canada only)
Engineering Service: 1-800-872-9436 (USA & Canada only)
Tel: (203) 359-1660 Fax: (203) 359-7700
e-mail: info@omega.com

For Other Locations Visit omega.com/worldwide

Omega FP-5300M/FP-5300CM

Schedule 80 PVC and CPVC Molded Installation Fittings

SAFETY INSTRUCTIONS



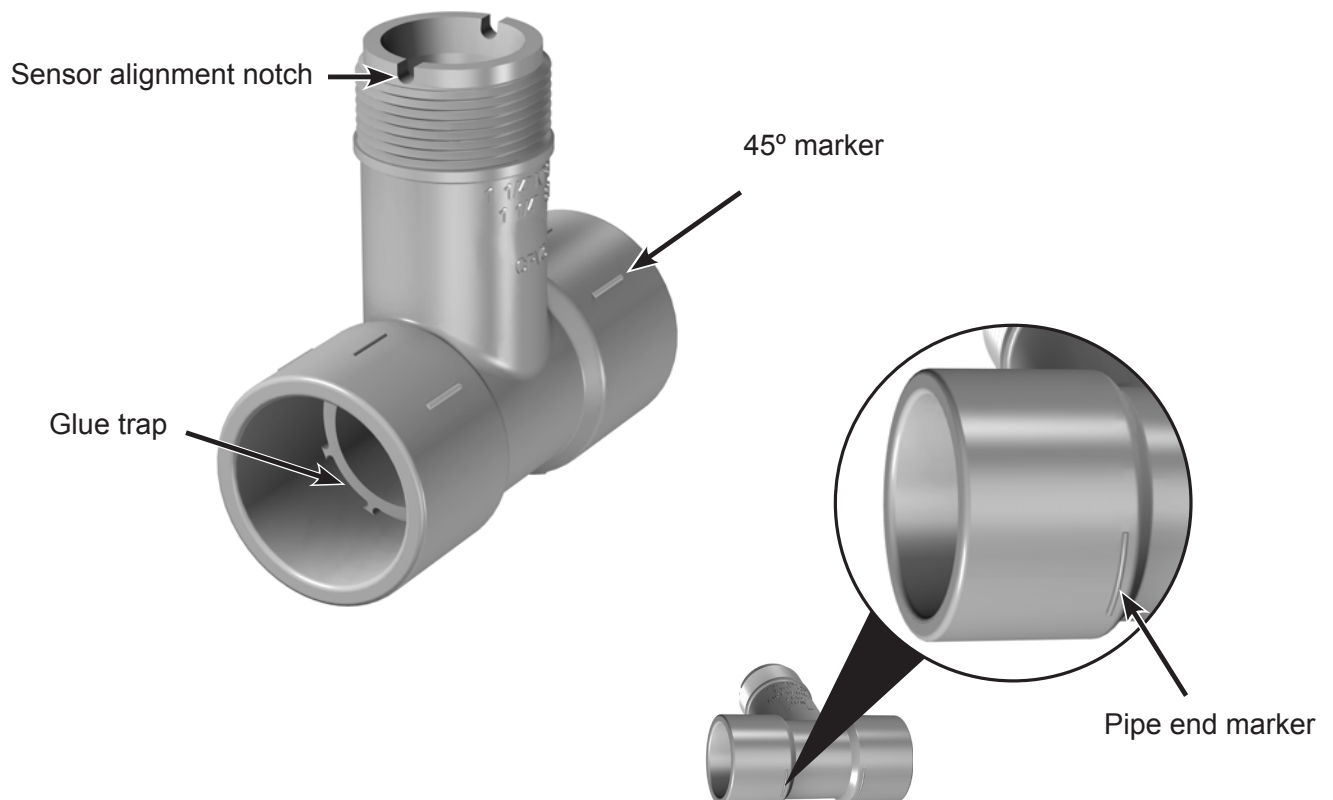
1. Confirm chemical compatibility before use.
 2. Do not exceed maximum temperature or pressure specifications of fittings or sensors.
 3. Do not use this product for any purpose other than for which it was designed.
 4. Use schedule 80 pipe.
 5. Use with liquids only.
 6. Improper pipe fitting installation may result in pressure failure, personal injury, and/or property damage.
 7. Always match fitting and piping materials.
 8. Always use piping cement designed for your specific fitting and piping material.
 9. Install according to local, state and federal guidelines.
-

Compatibility



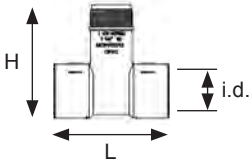
The Omega schedule 80 molded fittings are designed to be used with the following Omega flow sensors:

- FMG series magmeters
 - FP-5600 paddlewheel sensor series
 - FP-5100 paddlewheel sensor series
 - FP-5300 paddlewheel sensor series
 - FP-5600 paddlewheel sensor series
 - FP8500 paddlewheel sensor series
 - FP8500A paddlewheel sensor series
 - FPB-100 paddlewheel sensor series
-

Identification



Fitting only

 Material 					
SCH 80 PVC	SCH 80 CPVC	Size	L	H	i.d.
Part No.	Part No.				
FP-5305M	FP-5305CM	1/2"	3.75"	3.50"	0.85"
FP-5307M	FP-5307CM	3/4"	3.75"	3.70"	1.06"
FP-5310M	FP-5310CM	1"	4.30"	4.00"	1.33"
FP-5312M	FP-5312CM	1-1/4"	4.40"	4.30"	1.67"
FP-5315M	FP-5315CM	1-1/2"	5.00"	4.60"	1.91"
FP-5320M	FP-5320CM	2"	5.50"	5.00"	2.40"

K-Factors

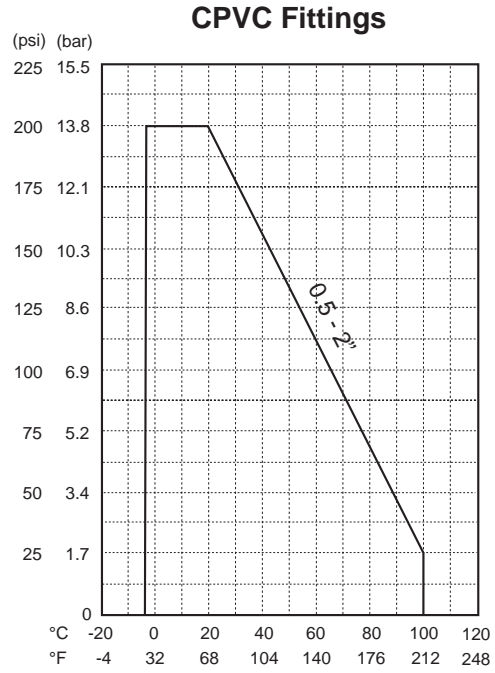
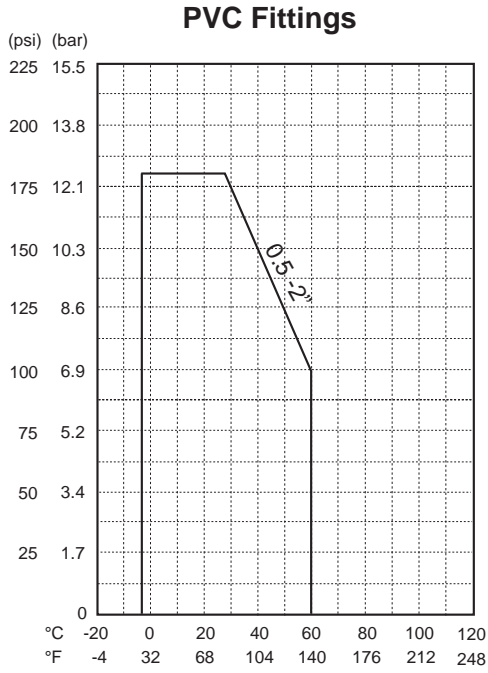
A **K-Factor** is the number of pulses a sensor will generate for each engineering unit of fluid that passes the sensor. K-Factors for water are listed below in U.S. gallons and liters. For example, in a 1 inch SCH 80 PVC pipe, the FP-5100 paddlewheel generates 172.07 pulses per gallon of water passing the rotor.

K-Factors are for Schedule 80 pipe.



PIPE SIZE	SCH. 80 FITTING	FP-5100, FP-5300, FP8500 Series		FP-5600, FP8500A, FPB-100 Series		FMG-3000 Series	
		Pulses/LITER	Pulses/ U.S. GAL	Pulses/LITER	Pulses/ U.S. GAL	Pulses/LITER	Pulses/ U.S. GAL
1/2"	FP-5305M FP-5305CM	137.42	520.12	271.37	1027.1	601.58	2277.0
3/4"	FP-5307M FP-5307CM	78.61	297.52	154.08	583.19	371.90	1407.6
1"	FP-5310M FP-5310CM	45.46	172.07	88.65	335.53	227.52	861.17
1-1/4"	FP-5312M FP-5312CM	24.19	91.54	47.24	178.79	122.83	464.91
1-1/2"	FP-5315M FP-5315CM	16.44	62.22	32.08	121.42	87.56	331.43
2"	FP-5320M FP-5320CM	9.60	36.32	18.87	71.44	50.96	192.89

Pressure Rating



The pressure ratings are for the fitting only.
NEVER EXCEED the pressure rating of the installed sensor.

Follow plastic piping cement manufacturer's recommended preparation and gluing instructions. Avoid excess cement in fitting joints to prevent any port obstruction.

Specifications

Rigid PVC and CPVC Material Compounds Specification:
ASTM D 1784

Dimensional and Compound Plastic Pipe Fittings Specifications:
ASTM D 2467
ASTM F 439

Standard Test Methods Specification:
ASTM F 1970

WARRANTY/DISCLAIMER

OMEGA ENGINEERING, INC. warrants this unit to be free of defects in materials and workmanship for a period of **13 months** from date of purchase. OMEGA's WARRANTY adds an additional one (1) month grace period to the normal **one (1) year product warranty** to cover handling and shipping time. This ensures that OMEGA's customers receive maximum coverage on each product.

If the unit malfunctions, it must be returned to the factory for evaluation. OMEGA's Customer Service Department will issue an Authorized Return (AR) number immediately upon phone or written request. Upon examination by OMEGA, if the unit is found to be defective, it will be repaired or replaced at no charge. OMEGA's WARRANTY does not apply to defects resulting from any action of the purchaser, including but not limited to mishandling, improper interfacing, operation outside of design limits, improper repair, or unauthorized modification. This WARRANTY is VOID if the unit shows evidence of having been tampered with or shows evidence of having been damaged as a result of excessive corrosion; or current, heat, moisture or vibration; improper specification; misapplication; misuse or other operating conditions outside of OMEGA's control. Components in which wear is not warranted, include but are not limited to contact points, fuses, and triacs.

OMEGA is pleased to offer suggestions on the use of its various products. However, OMEGA neither assumes responsibility for any omissions or errors nor assumes liability for any damages that result from the use of its products in accordance with information provided by OMEGA, either verbal or written. OMEGA warrants only that the parts manufactured by the company will be as specified and free of defects. OMEGA MAKES NO OTHER WARRANTIES OR REPRESENTATIONS OF ANY KIND WHATSOEVER, EXPRESSED OR IMPLIED, EXCEPT THAT OF TITLE, AND ALL IMPLIED WARRANTIES INCLUDING ANY WARRANTY OF MERCHANTABILITY AND FITNESS FOR A PARTICULAR PURPOSE ARE HEREBY DISCLAIMED. LIMITATION OF LIABILITY: The remedies of purchaser set forth herein are exclusive, and the total liability of OMEGA with respect to this order, whether based on contract, warranty, negligence, indemnification, strict liability or otherwise, shall not exceed the purchase price of the component upon which liability is based. In no event shall OMEGA be liable for consequential, incidental or special damages.

CONDITIONS: Equipment sold by OMEGA is not intended to be used, nor shall it be used: (1) as a "Basic Component" under 10 CFR 21 (NRC), used in or with any nuclear installation or activity; or (2) in medical applications or used on humans. Should any Product(s) be used in or with any nuclear installation or activity, medical application, used on humans, or misused in any way, OMEGA assumes no responsibility as set forth in our basic WARRANTY/DISCLAIMER language, and, additionally, purchaser will indemnify OMEGA and hold OMEGA harmless from any liability or damage whatsoever arising out of the use of the Product(s) in such a manner.

RETURN REQUESTS/INQUIRIES

Direct all warranty and repair requests/inquiries to the OMEGA Customer Service Department. BEFORE RETURNING ANY PRODUCT(S) TO OMEGA, PURCHASER MUST OBTAIN AN AUTHORIZED RETURN (AR) NUMBER FROM OMEGA'S CUSTOMER SERVICE DEPARTMENT (IN ORDER TO AVOID PROCESSING DELAYS). The assigned AR number should then be marked on the outside of the return package and on any correspondence.

The purchaser is responsible for shipping charges, freight, insurance and proper packaging to prevent breakage in transit.

FOR **WARRANTY** RETURNS, please have the following information available BEFORE contacting OMEGA:

1. Purchase Order number under which the product was PURCHASED,
2. Model and serial number of the product under warranty, and
3. Repair instructions and/or specific problems relative to the product.

FOR **NON-WARRANTY** REPAIRS, consult OMEGA for current repair charges. Have the following information available BEFORE contacting OMEGA:

1. Purchase Order number to cover the COST of the repair,
2. Model and serial number of the product, and
3. Repair instructions and/or specific problems relative to the product.

OMEGA's policy is to make running changes, not model changes, whenever an improvement is possible. This affords our customers the latest in technology and engineering.

OMEGA is a registered trademark of OMEGA ENGINEERING, INC.

© Copyright 2016 OMEGA ENGINEERING, INC. All rights reserved. This document may not be copied, photocopied, reproduced, translated, or reduced to any electronic medium or machine-readable form, in whole or in part, without the prior written consent of OMEGA ENGINEERING, INC.

Where Do I Find Everything I Need for Process Measurement and Control? **OMEGA...Of Course!** *Shop online at omega.comSM*

TEMPERATURE

- Thermocouple, RTD & Thermistor Probes, Connectors, Panels & Assemblies
- Wire: Thermocouple, RTD & Thermistor
- Calibrators & Ice Point References
- Recorders, Controllers & Process Monitors
- Infrared Pyrometers

PRESSURE, STRAIN AND FORCE

- Transducers & Strain Gages
- Load Cells & Pressure Gages
- Displacement Transducers
- Instrumentation & Accessories

FLOW/LEVEL

- Rotameters, Gas Mass Flowmeters & Flow Computers
- Air Velocity Indicators
- Turbine/Paddlewheel Systems
- Totalizers & Batch Controllers

pH/CONDUCTIVITY

- pH Electrodes, Testers & Accessories
- Benchtop/Laboratory Meters
- Controllers, Calibrators, Simulators & Pumps
- Industrial pH & Conductivity Equipment

DATA ACQUISITION

- Communications-Based Acquisition Systems
- Data Logging Systems
- Wireless Sensors, Transmitters, & Receivers
- Signal Conditioners
- Data Acquisition Software

HEATERS

- Heating Cable
- Cartridge & Strip Heaters
- Immersion & Band Heaters
- Flexible Heaters
- Laboratory Heaters

ENVIRONMENTAL MONITORING AND CONTROL

- Metering & Control Instrumentation
- Refractometers
- Pumps & Tubing
- Air, Soil & Water Monitors
- Industrial Water & Wastewater Treatment
- pH, Conductivity & Dissolved Oxygen Instruments