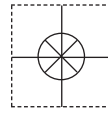


1 YEAR
WARRANTY



User's Guide



Shop online at

omega.com[®]

Ω OMEGA[®]

omega.com

e-mail: info@omega.com

For latest product manuals:

omegamanual.info

ISO 9001

CERTIFIED
CORPORATE QUALITY

STAMFORD, CT

ISO 9002

CERTIFIED
CORPORATE QUALITY

MANCHESTER, UK

PX760 SERIES **Differential Pressure Transmitter**



OMEGAnet® Online Service
omega.com

Internet e-mail
info@omega.com

Servicing North America:

U.S.A.:
ISO 9001 Certified
One Omega Drive, P.O. Box 4047
Stamford, CT 06907-0047
TEL: (203) 359-1660
FAX: (203) 359-7700
e-mail: info@omega.com

Canada:
976 Bergar
Laval (Quebec) H7L 5A1, Canada
TEL: (514) 856-6928
FAX: (514) 856-6886
e-mail: info@omega.ca

For immediate technical or application assistance:

U.S.A. and Canada: Sales Service: 1-800-826-6342/1-800-TC-OMEGA®
Customer Service: 1-800-622-2378/1-800-622-BEST®
Engineering Service: 1-800-872-9436/1-800-USA-WHEN®

Mexico:
En Español: (001) 203-359-7803
FAX: (001) 203-359-7807
e-mail: espanol@omega.com
info@omega.com.mx

Servicing Europe:

Czech Republic: Frystatska 184, 733 01 Karviná, Czech Republic
TEL: +420 (0)59 6311899
FAX: +420 (0)59 6311114
Toll Free: 0800-1-66342
e-mail: info@omegashop.cz

Germany/Austria: Daimlerstrasse 26, D-75392 Deckenpfronn, Germany
TEL: +49 (0)7056 9398-0
FAX: +49 (0)7056 9398-29
Toll Free in Germany: 0800 639 7678
e-mail: info@omega.de

United Kingdom:
ISO 9002 Certified
One Omega Drive, River Bend Technology Centre
Northbank, Irlam, Manchester
M44 5BD United Kingdom
TEL: +44 (0)161 777 6611
FAX: +44 (0)161 777 6622
Toll Free in United Kingdom: 0800-488-488
e-mail: sales@omega.co.uk

It is the policy of OMEGA Engineering, Inc. to comply with all worldwide safety and EMC/EMI regulations that apply. OMEGA is constantly pursuing certification of its products to the European New Approach Directives. OMEGA will add the CE mark to every appropriate device upon certification.

The information contained in this document is believed to be correct, but OMEGA accepts no liability for any errors it contains, and reserves the right to alter specifications without notice.

WARNING: These products are not designed for use in, and should not be used for, human applications.

INDEX

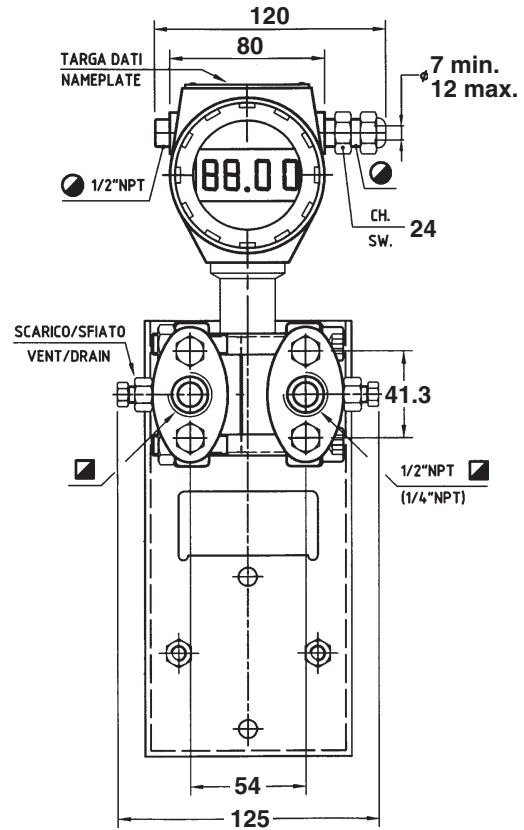
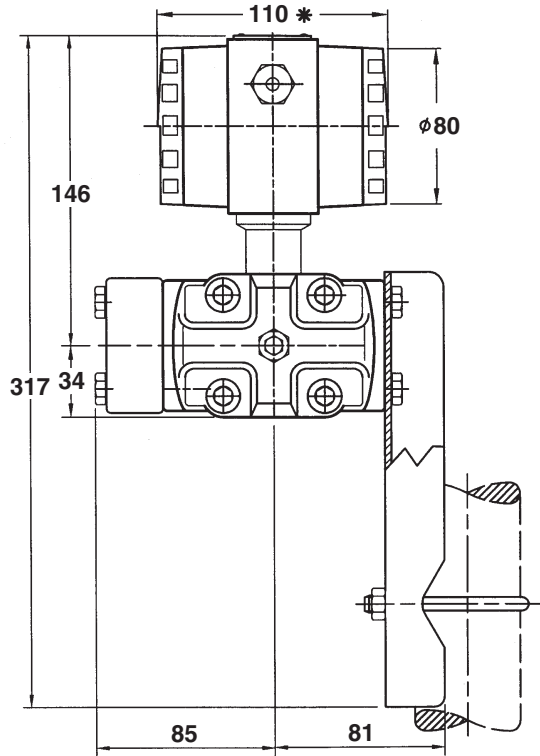
-	Sensor specification tables	1
-	Dimensions	1
- 1	PRODUCT SHEET	2
1.1	Functional data	2
1.2	Environment and conditions	3
1.3	Operating influences	3
1.4	Physical specifications	3
1.5	Explosion protection	3
1.6	Electromagnetic compatability	3
2	THEORY OF OPERATION	4
2.1	Basic operation	4
2.2	Transmitter output levels	4
3	INSTALLATION	5
3.1	Instrument identification	5
3.2	Transmitter mounting.....	5
3.3	Transmitter wiring	5
3.4	Power supply	5
3.5	Safety instructions for the employment in areas with presence of potentially explosive atmospheres.....	6
3.5.1	Premise.....	6
3.5.2	General.....	6
3.5.3	Installation.....	6
3.5.3.1	Fitness of the transmitter for the installation area.....	6
3.5.3.2	Safety data definitions.....	7
3.5.3.3	Additional warnings for installation.....	7
3.5.3.4	Electrical connections.....	7
3.5.4	Verification and maintenance.....	7
3.5.5	Instrument service.....	7
3.6	Piping for flow measurements.....	8
3.7	Pressure and level measurements.....	9
4	CONFIGURATION	11
4.1	Definitions	11
4.2	Display and push buttons	11
4.3	Configuration of the display	11
4.4	Configuration of the device - Use of functions	12
5	CALIBRATION	16
5.1	Output Current Calibration	16
5.2	Sensor's non-linearity adjustment	16
6	MAINTENANCE	17
6.1	Periodic Service	17
6.2	Troubleshooting	17

NOTES

MAIN DATA: DIMENSIONS (mm) AND SENSOR'S RANGES

* 100 mm CLEARANCE TO REMOVE COVER (BOTH ENDS)

* SPAZIO PER SMONTAGGIO COPERCHI: 100mm (DA AMBO I LATI)
100mm CLEARANCE TO REMOVE COVER (BOTH ENDS)



MODEL NO.	CALIBRATED RANGE (In. of Water)	NOMINAL RANGE (mBar)	SPAN min/max (mBar)	RANGE LIMITS (mBar)
PX760-06WCDI	0 to 6	0 to 18	1.8/37.8	-18.9/18.9
PX760-20WCDI	0 to 20	0 to 50	5/105	-52.5/52.5
PX760-100WCDI	0 to 100	0 to 350	35/735	-367.5/367.5
PX760-250WCDI	0 to 250	0 to 1000	100/2100	-1050/1050
PX760-600WCDI	0 to 600	0 to 2500	250/5250	-2625/2625
PX760-060DI	0 to 60 (psi)	0 to 5000	500/10500	-5250/5250
PX760-150DI	0 to 150 (psi)	0 to 10,000	1000/21000	-10500/10500

1 - PRODUCT SHEET

GENERAL

The PX760 Series transmitter is a series of two wire microprocessor-based, 4-20 mA instruments with ceramic sensor. This transmitter measures and locally displays gauge differential and level from 1.8 to 2100 mbar (1 to 8430 InH₂O). Temperature, compensation, software linearization and displays the sensor temperature. Parameters can be adjusted digitally. The 4 digits LCD indicator displays the measured reading either in engineering units or percentage.

1.1- FUNCTIONAL DATA

With reference to the following, please note these definitions:

Nominal range: (referred to the sensor mounted on the instrument) the pressure range (included between a minimum and a maximum values) to measure which the sensor has been designed.

Nominal span: the pressure interval between the minimum and maximum values of the sensor nominal range. The span is a number.

Measuring range: the pressure range between minimum and maximum for which the transmitter has been calibrated.

Measuring span: the pressure interval between minimum and maximum values of the measuring range.

Input scale initial value or zero input: minimum pressure value included in the measuring range.

Input full scale value: maximum pressure value included in the measuring range.

PHYSICAL CHARACTERISTICS

Power supply: 11,1 - 30 V d.c. with no load.

Relation between supply voltage and permissible load with I_{max} 22,4 mA:

0/250 ohm for 16,7 V d.c.

0/576 ohm for 24 V d.c.

0/844 ohm for 30 V d.c.

Output signal: 4/20 mA - 2 wire system.

LCD display reading: -10 ÷ +65°C.

4 digits LCD display, 5 symbols (bar, mbar, psi, %, sec).

Settling time: 150 ms (at 27°C).

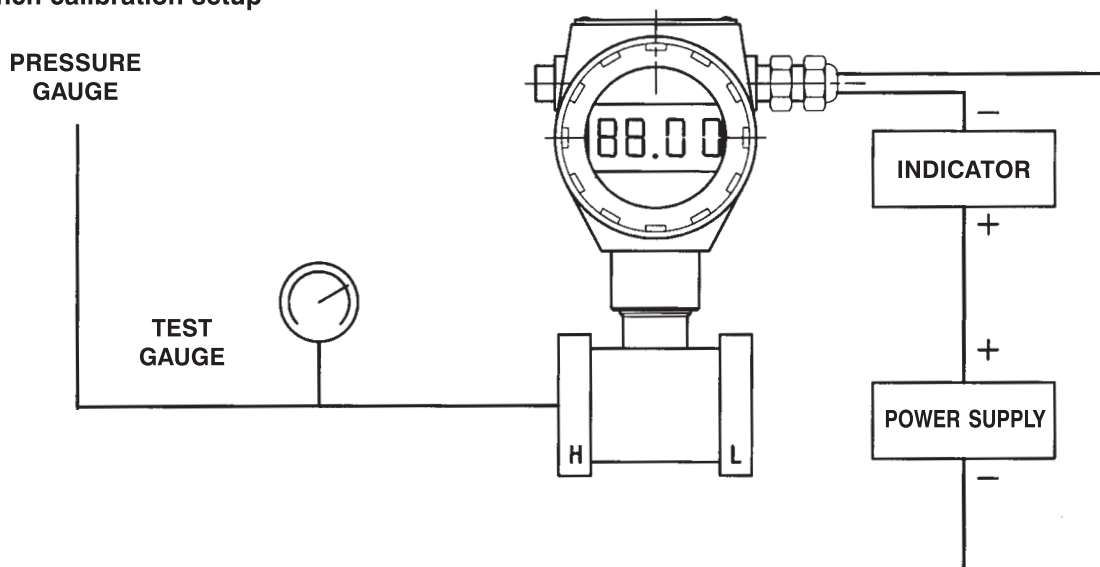
For differential cells:

Sensing element static pressure and unilateral overpressure nominal limits: medium range 100 bar, low 50 bar.

Process chambers volume: 6 and 16 cm³ approx.

Displacement: 0,2 and 0,3 cm³ at span max.

Fig. 1 - Bench calibration setup



1.2 - ENVIRONMENT AND CONDITIONS

Temperature

Process fluid: -20 to +100°C.

Housing: -20 to +80°C.

Handling and storage: -20 to +90°C.

Relative humidity: 0 to 100% R.H. No condensing.

LCD display reading: -10 to +65°C.

Performance

Unless otherwise stated, performance specifications are referred at atmospheric pressure, nominal span, silicon oil filling and are given as a percent of span.

Accuracy rating: it is assured within the following limits:

Non linearity: $\leq 0,10\%$.

Repeatability: $\leq 0,10\%$.

Hysteresis: $\leq 0,10\%$.

1.3 - OPERATING INFLUENCES

Thermal drift: it is referred to -10 to +65°C range.

Zero: $\pm 0,1\%/10^\circ\text{K}$. Span: $\pm 0,1\%/+10^\circ\text{K}$ at nominal range.

Power supply effect: negligible between 11,1 and 30 V d.c.

1.4 - PHYSICAL SPECIFICATIONS

Process wetted parts: diaphragm AISI 316 L - Process chambers, adapters, drain and vent plugs AISI 316. Gaskets PTFE and Viton

Housing: die cast aluminium alloy AL UNI 4514 finished with epoxy resin (RAL 5014)

Covers: reinforced technopolymer.

Covers O-ring: Buna N.

Filling fluid: silicon oil.

Nameplate: stainless steel, fixed on housing.

Calibration

Standard: at nominal range, linear.

Optional: at the conditions specified with the order.

Environmental protection: the transmitter is dust and sand tight and protected against sea waves effects as defined by IEC IP 66. Suitable for tropical climate operation as defined in DIN 50.015.

Process connections: flanges as per codification, 1/2 NPT f on adapters and 1/4 NPT f on process chamber.

Bolts: AISI 304.

Electrical connections: two cable entries on electronic housing, 1/2 NPT and cable gland PG 13,5 for 7 to 12 mm diameter cable.

Terminal board: 2 terminals for signal wiring up to 1,5 mm (14 AWG). Connection for ground and cable shield.

Mounting position: any position.

Net weight: 4 kg (8.8 lb)

1.5 - EXPLOSION PROTECTION

EQUIPMENTS AND PROTECTION SYSTEMS ATEX 94/9/CE

Intrinsic safety EExia IIB T6/T5/T4.

Amb. temp. °C: -20 to +40 (T6) / +55 (T5) / +80 (T4).

Group II class 1G suitable for zone 0,1,2 - EN 60079-10

EC type-examination certificate CESI 07 ATEX 001.

Power supply parameters:

$U_i = 30 \text{ V}$; $I_i = 152 \text{ mA}$; $P_i = 0,95 \text{ W}$; $L_i = 135 \text{ } \mu\text{H}$; $C_i = 10 \text{ nF}$.

1.6 - ELECTROMAGNETIC COMPATABILITY

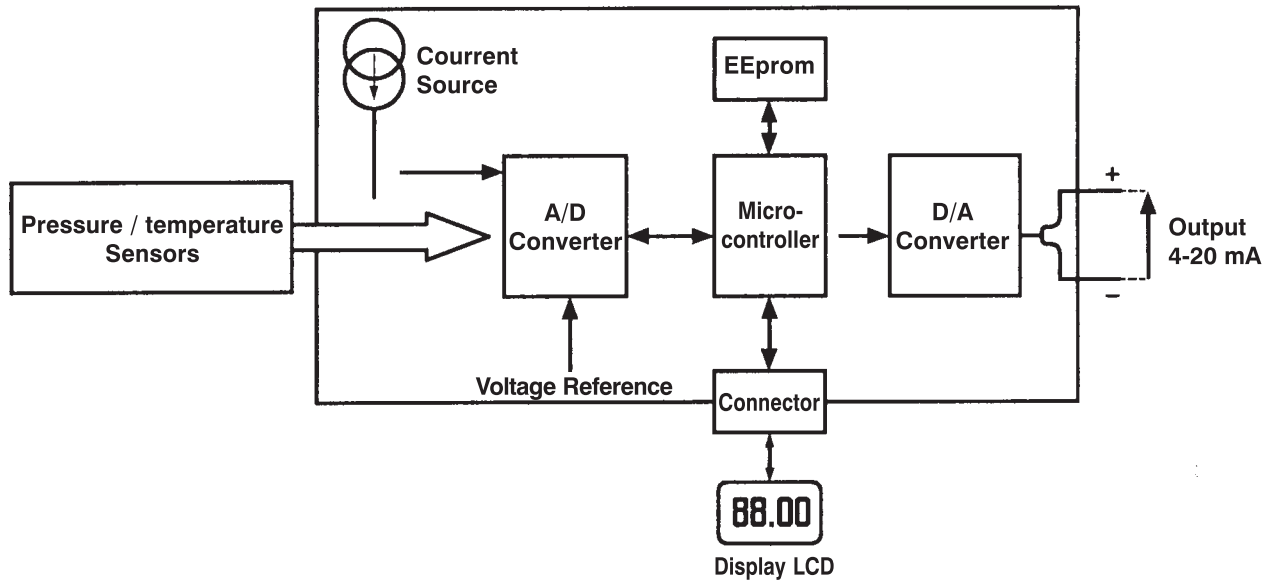
Conforms to the standard EM 50081-2, EM 50082-2 in accordance 89/336/EEC and following modifications.

2 - THEORY OF OPERATION

2.1 - BASIC OPERATION

The functional block diagram of the transmitter is shown in the figure below:

Fig. 2



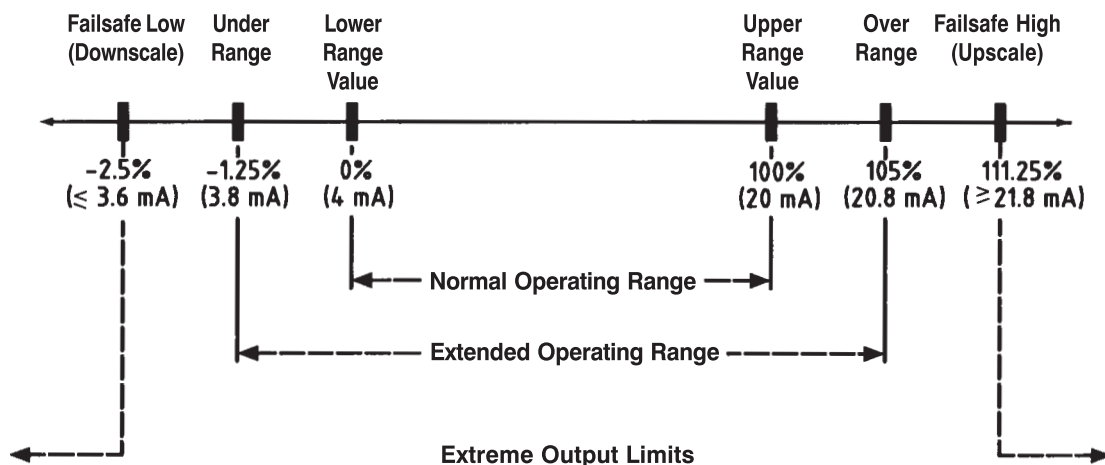
Inputs are sampled and digitized by the “analog to digital” converter (ADC). The sensor signal integrity is checked by a diagnostic routine. Digital data is linearised and converted to the selected engineering units e.g. bar. The measurement is then ranged to the lower and upper range values. This value is finally converted to a 4-20 mA analog output signal. The configuration is held in a non volatile memory (not lost in case of power failure).

The transmitter configuration can be changed by using several functions through the push buttons on the LCD display.

The transmitter continuously performs internal diagnostics to give maximum reliability and help the user to identify any problems. Any critical condition will drive the output to the selected failsafe direction (Hi/Lo).

2.2 - TRANSMITTER OUTPUT LEVELS

Fig. 3 Output levels



3 - INSTALLATION

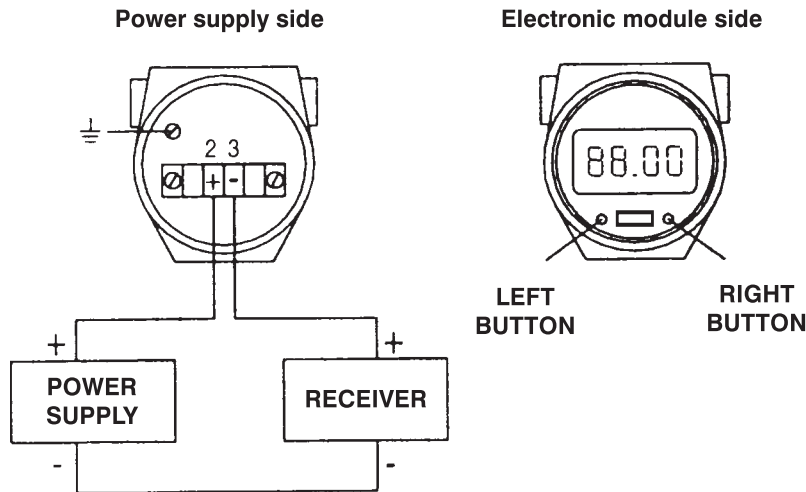
3.1 - INSTRUMENT IDENTIFICATION

Instrument data can be found on the nameplate fixed to the top of transmitter housing . The Serial Number that must be quoted at the occurrence of specific requests to the manufacturer.

Fig. 4 shows both sides of the housing with covers removed.

Between the two buttons there is a three pin connector used for factory calibration.

Fig. 4



3.2 - TRANSMITTER MOUNTING

A mounting bracket is supplied for series PX760 to fix the instrument horizontally or vertically to a DN 50 (2 inch) pipe. Refer to dimensional drawing for details. The position of the housing has no effect on the instrument operation.

3.3 - TRANSMITTER WIRING

Remove the cover of terminal compartment for access to terminals “+,” “-” and ground (earth). Insert the power supply cable through one of the two 1/2” NPT openings. As shown in Fig. 4 connect terminal.

“+” to “+” power supply, “-” to “+” receiver, and “-” power supply to “-” receiver.

In the case of reversed polarity, the instrument will not operate; however in this case the instrument will not be damaged. See Fig. 5 for a typical connection.

A 2-core cable (section 0,5 mm² or greater) may be used for connection.

Twisted wires are better protected from electrical noise. Some applications may require shielded cables; earth the shield at the power supply ground only.

Avoid locating cables near a.c. power cables such as mains supply.

Connect the earth screw to a ground, preferably the same ground used in the measuring circuit.

Cabling may be up to 3 km long.

Reinstall the removed cover.

3.4 - POWER SUPPLY

To guarantee a 4 to 22,4 mA output signal, the minimum supply voltage must be calculated. It is a function of the total resistive load (output load).

This value is the sum of the resistances of each component in the circuit, excluding the transmitter.

The graph shown in Fig. 6 gives the minimum supply voltage required. The value can also be obtained from the following formula:

$$V_{cc} = 0,0224 \times R + 11,1$$

where:

R = output load.

See example on Fig. 6. For a total circuit resistance of 576 Ohm, the minimum supply voltage must be 24 V c.c. The power unit must be able to supply a minimum 25 mA for standard operation of the current loop.

Fig. 5

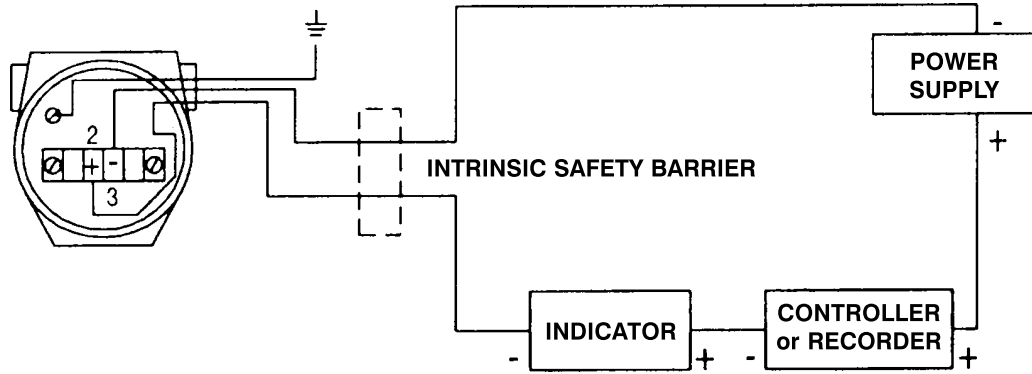
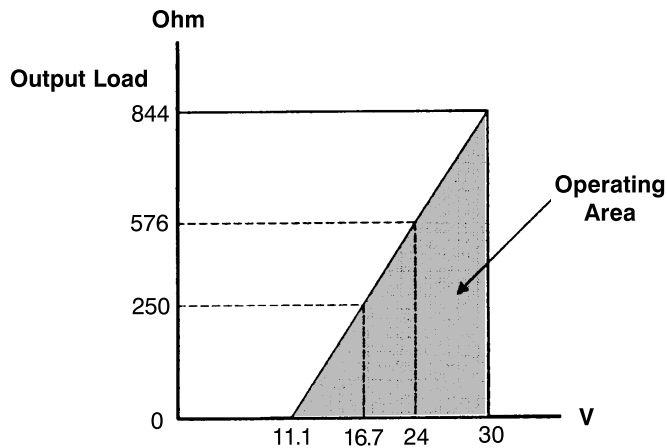


Fig. 6



3.5 - SAFETY INSTRUCTIONS FOR THE EMPLOYMENT IN AREAS WITH PRESENCE OF POTENTIALLY EXPLOSIVE ATMOSPHERES

3.5.1 - PREMISE

These safety instructions are referred to the installation, use and maintenance of series PX760 transmitters, for the employment in areas with presence of potentially explosive atmospheres.

Letter x individualize the different model of transmitter that depends on the type of measuring cell mounted.

The transmitters object of the present instructions are characterized by the following methods of protection:

- EEx ia II B T6 for Tamb -20 ÷ +40 °C**
- EEx ia II B T5 for Tamb -20 ÷ +55 °C**
- EEx ia II B T4 for Tamb -20 ÷ +80 °C**

The indications contained in the present safety instructions must be observed together with the instructions brought in the operator manual.

3.5.2 - GENERAL

Instruments of the PX760 series are Transmitters of differential and level pressure. They are devices with solid state electronics whose operation is based on piezoresistive sensors.

They measure pressures of liquids, gas and vapours with nominal ranges from 1,8 up to 21000 mbar and transmit an current output signal 4-20 mA proportional to the measured pressure. They can also be used to measure level in open or closed tanks or for measures of flow measuring the differential pressure on a calibrated orifice.

3.5.3 - INSTALLATION

3.5.3.1 - FITNESS OF THE TRANSMITTER FOR THE INSTALLATION AREA

In case of use in areas with danger of explosion, it must be verified that the identified type of transmitter fits for the classification of the zone and for the presence of flammable substances in the plant.


The safety essential requisite against the risk of explosion in the classified areas are fixed from the European Directives 94/9/CE of March 23 rd 1994 (as far as it concerns the apparatus) and 1999/92/CE of December 16 th 1999 (as far as it concerns the plant).

The criterions for the classification of the areas with risk of explosion are given from the standard EN60079-10.

The technical requisite of the electric fittings in the classified areas are given from the standard EN60079-14.

On the plate, besides the functional data, the references of the notified body undertaken for the certification are also pointed out.

3.5.3.2 - SAFETY DATA DEFINITIONS

II 1 G	Transmitter for surface plants with presence of gas or vapours, Group II, category 1, fit for zone 0 and with redundancy for zone 1 and 2
EEx ia	Intrinsically Safe transmitter, category "ia"
II B	Group IIB apparatus, fit for substances (gas) of group IIB
T6, T5, T4	Temperature Class of the transmitter (maximum temperature)
CE	Conformity mark to European Directives applicable to the apparatus
	Conformity marking to 94/9/CE Directive and technical rules
CESI 07 ATEX 001	Name of the laboratory that released the EC type-examination certificate; 07 =Year; 001 =certificate number
0722	Identifying Number of the notified body (CESI) that assess the quality system of the manufacturer
T. amb.	Ambient minimum and maximum temperature
Ui, Ii, Pi, Ci, Li	Maximum Input parameters of the apparatus (related to intrinsic safety)

Note:

- the transmitters for the group IIB also fit for gas group IIA;
- the transmitters with class of temperature T6 also fit for all the substances with higher class of temperature (T5, T4, T3, T2, T1);
- the transmitters with class of temperature T5 also fit for all the substances with higher class of temperature (T4, T3, T2, T1);
- the transmitters with class of temperature T4 also fit for all the substances with higher class of temperature (T3, T2, T1);
- the choice of the associated apparatus must be made on the base of the maximum input parameters of the transmitter.

3.5.3.3 - ADDITIONAL WARNINGS FOR INSTALLATION

For the correct installation refer to the chapter operator manual and to sketches brought there.

The process connection must be realized in such a way that guarantees the hold at the maximum working pressure and temperature. Do not overcome the maximum pressure and temperatures indicated in the technical data sheet of the selected model. When the device is connected to the process it can be submitted to high pressures and temperatures. To avoid accidents subsequent to sudden discharge of pressure and/or to contact with dangerous or flammable fluids it is necessary to take the maximum attention when the device is taken off, heated or repaired, verifying that it is isolated from the process and is not submitted to pressure and/or temperature.

3.5.3.4 - ELECTRICAL CONNECTIONS

For the electrical connections please follow the instructions brought in the operator manuals taking care that for the use in classified areas it is necessary to foresee the use of associated apparatuses (e.g. safety barriers), certified according to the standard EN 50020, with output electrical characteristics compatible with the maximum input parameters (brought on the plate) of the certified transmitter.

The evaluation of the system constituted by the associated apparatus, the transmitter and the cables of connection must be done by experienced personnel only and must match the requisite of the standard EN 50039 relative to the intrinsically safe systems. For the correct installation it is necessary to follow the safety instructions of the selected associated apparatus.

Electrical parameters related to Intrinsic Safety

Parameter	Value
Maximum input voltage Ui	30 V
Maximum input current Ii	152 mA
Maximum input power Pi	0,95 W
Maximum internal capacitance Ci	10 nF
Maximum internal inductance Li	135 mH

3.5.4 - VERIFICATION AND MAINTENANCE

The verifications and the maintenances of the transmitters must be done according to the criterions of the standard EN60079-17.

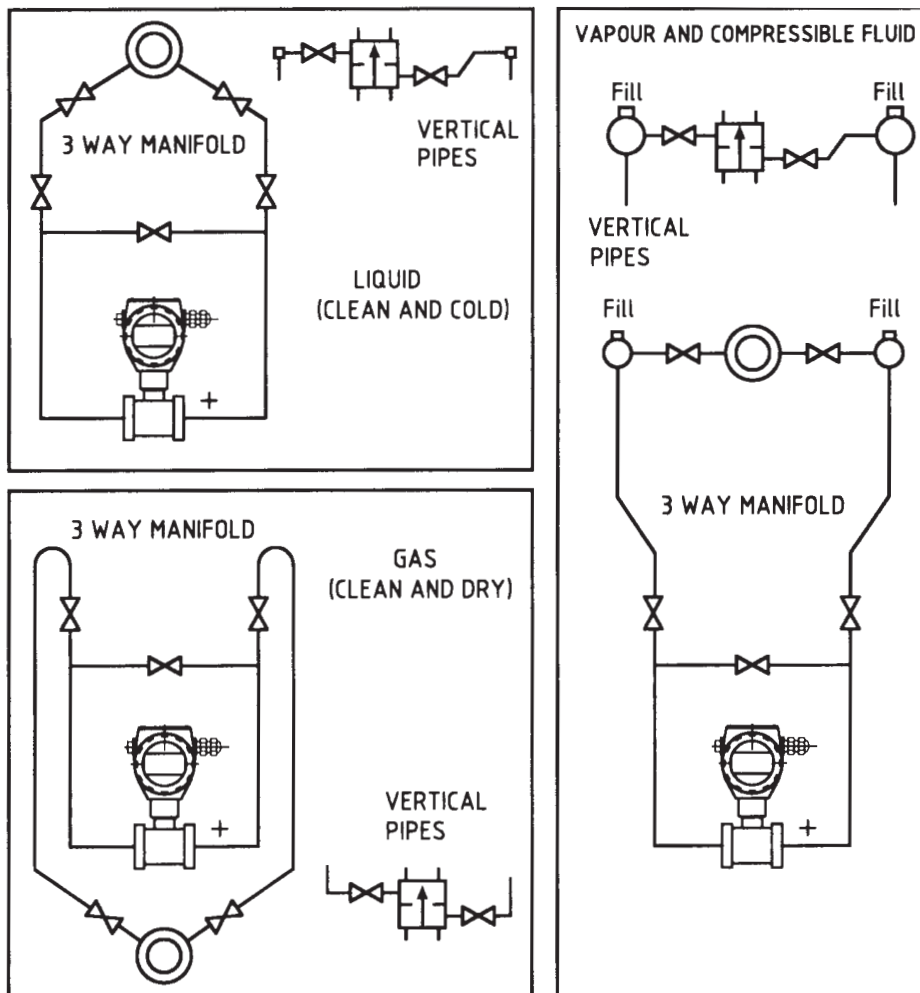
3.5.5 - INSTRUMENT SERVICE

In case of malfunction or damage it is advised to contact OMEGA Engineering's Customer Service Department.

3.6 - PIPING FOR FLOW MEASUREMENTS

- 1 - Fig. 7 shows some of the installations recommended by ISO 2186 Standards. Refer to this Standard for more informations.
- 2 - Normal mounting position for the transmitter is below the pressure connections. Filling connectors should be mounted as close as possible to the transmitter and equidistant from it (diameter not less than 10 mm), at the same level, to have equal heads on the transmitter.
- 3 - The descending pipes can be filled with condensate vapours of the process fluid or with suitable inert liquid to prevent direct contact with the transmitter.
- 4 - When the lines are not liquid filled drain plugs should be mounted in the lowest possible position.
- 5 - The transmitter should be mounted above the process connections only when in service with dry and clean gas flow without seal liquid.
- 6 - When the connections are located on a vertical process line, the flow should be upward.
- 7 - Transmitters with a very small displacement, like the ones here described, can be mounted without condensing pots.
- 8 - Pressure connections on model PX760 are made with "H" ("+") and "L" ("-"); the higher pressure will be applied to "+" side.
- 9 - Always check carefully all manifolds, reducers if any, vents and drain plugs for leaks.

Fig. 7 - Piping for flow meters



3.7 - PRESSURE AND LEVEL MEASUREMENTS

The transmitters PX760 may be used for pressure and, in the lower ranges, also for level measurements in tanks. In Fig. 8 the simplest mounting, direct on piping, is illustrated. For the applications of level measurements in reservoirs at atmospheric pressure, a correct calibration, always within the SPAN max. must be calculated taking into consideration the values A,B,C. and the liquid's specific gravity (see Fig. 9).



Warning: the diaphragm seal must be always covered by the liquid.

Examples:

- I - (see Fig. 9).

The minimum head of water is $W_{min} = C \times G_c + B \times G_a$; the maximum head of water is $W_{max} = C \times G_c + B \times G_a + A \times G_a$ where:

G_a = specific gravity of the liquid into the tank (kg/dm^3).

G_c = spec. gravity of seal liquid, if any, (kg/dm^3).

Note that often $C = 0$.

Span value is:

$SPAN = W_{max} - W_{min} = A \times G_a$.

Supposing that:

$A = 3000$ mm, $B = 500$ mm, $C = 600$ mm.

$G_a = 0.9$ kg/dm^3 , $G_c = 1.0$ kg/dm^3 .

we obtain:

$W_{min} = 600 \times 1.0 - 500 \times 0.9 = 1050$ mm H_2O (zero suppression).

$W_{max} = 600 \times 1.0 - 500 \times 0.9 + 3000 \times 0.9 = 3750$ mm H_2O

$SPAN = 3000 \times 0.9 = 2700$ mm H_2O (span).

The calibration will result:

from 1050 to 3750 mm H_2O .

The dashed part of Fig. 9 completes a sketch for closed tank with empty equalizing piping (dry leg). In this case the calculation in the above example remains valid. Calibration steps for his example are also discussed in chapter configuration.

Fig. 8

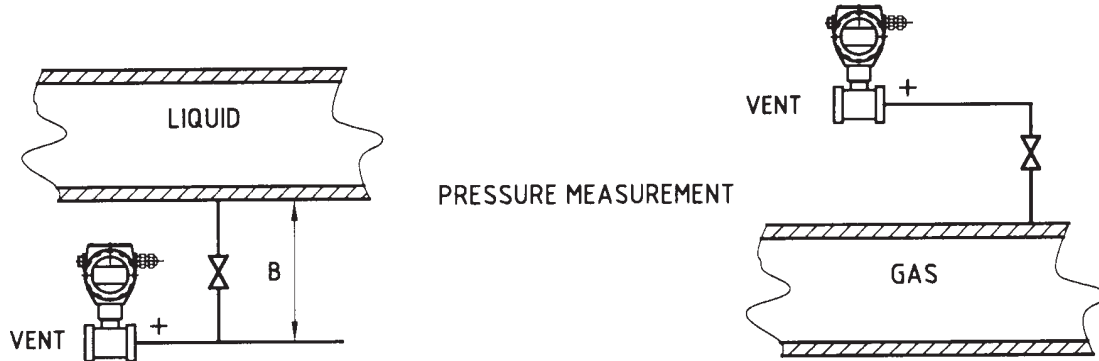
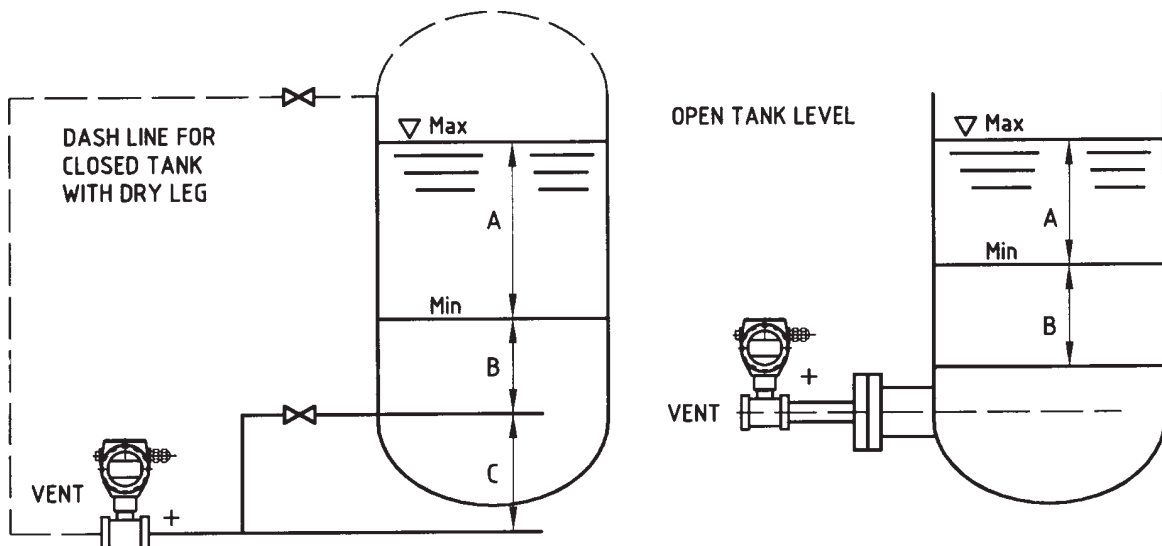


Fig. 9



- II - (closed tank with wet leg and fluid filled piping)

See Fig. 10

With the symbol values of example - I -:

$$W_{\min} = B \times G_a - F \times G_c$$

$$W_{\max} = B \times G_a - A \times G_a - F \times G_c$$

$$\text{Span} = A \times G_a = 3000 \times 0.9 = 2700 \text{ mm H}_2\text{O}.$$

Let $F = 4000 \text{ mm}$, so:

$$W_{\min} = 500 \times 0.9 - 4000 \times 1 = -3550 \text{ mm H}_2\text{O}.$$

$$W_{\max} = 500 \times 0.9 + 3000 \times 0.9 - 4000 \times 1 = -850 \text{ mm H}_2\text{O}.$$

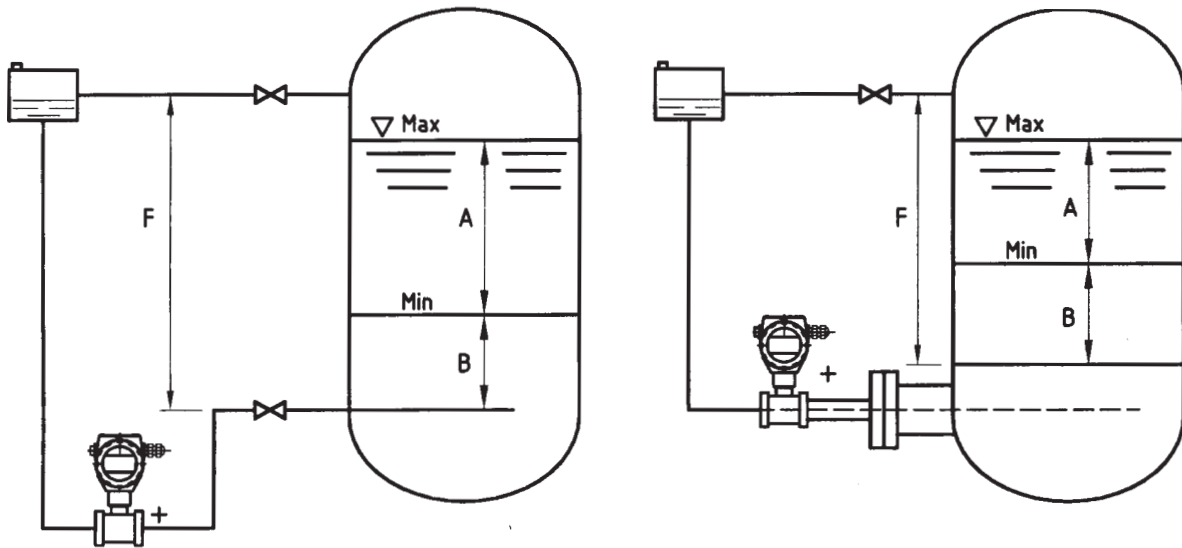
Calibration range: from -3550 to $-850 \text{ mm H}_2\text{O}$.

It'll be operated a zero elevation of $3550 \text{ mm H}_2\text{O}$.

Note:

When sealing liquid is used, its specific gravity must be greater than that of the process liquid.

Fig. 10 - Closed tank level with leg



4. CONFIGURATION

4.1 - DEFINITIONS

• Nominal range	Referred to the instrument's sensor, it is the pressures range to measure which the instrument has been designed.
• Nominal Span:	The difference between the two points of the Nominal Range. E.g. PX760 Nominal Range 0/350 mbar Nominal Span = 350 mbar
• USL (Upper Sensor Limit)	Maximum Range limit of measurable pressure
• LSL (Lower Sensor Limit):	Minimum Range limit of measurable pressure
• Calibration Range:	A Pressure Range included between maximum limit (USL) and minimum limit (LSL)
• URV (Upper Range Value):	High value of calibrated range (corresponds to 20 mA)
• LRV (Lower Range Value):	Low value of calibrated range (corresponds to 4 mA)
• Span:	Difference between Upper and Lower points of the calibrated range (Span = URV-LRV)

4.2 - DISPLAY AND PUSH BUTTONS

- ✓ When you power up the instrument, it will show a pre-established sequence for about 6 seconds. This procedure allows the display of the software revision, test of the LCD segments, internal diagnostics, etc.
- ✓ After initialization, the display shows the primary variable (pressure).
- ✓ The push buttons combinations are referenced as follows:

LB	⇒	Left Button
RB	⇒	Right Button
LB+RB	⇒	Both buttons are pushed at the same time
LB or RB	⇒	One of the two buttons
LB&RB	⇒	First press LB , while LB is pressed, press RB
RB&LB	⇒	First press RB , while RB is pressed, press LB

4.3 - CONFIGURATION OF THE DISPLAY

The display parameters that can be configured are:

GROUP 1: Pressure unit configuration

- ✓ bar / mbar depending on sensors' range or
 - ✓ PSI depending on the selected engineering unit (see function F9)
 - ✓ % relative to the span set by the user (LRV/URV).
- You can also configure the display to alternate between two measurements units:
- ✓ Automatic switching between [bar or PSI] and %
 - ✓ Automatic switching between [bar or PSI] and °C (where °C is the sensor temperature)

GROUP 2: Temperature or pressure

- ✓ Temperature of the sensor expressed in °C
- ✓ Pressure expressed as % of the sensor normal measuring range (LRL/URL)
- ✓ Numerical value of the analog to digital converter (0÷4096).

To select the desired configuration:

- ✓ First rotate by pressing **LB** as many times as you reach the desired unit, then release **LB**.
- ✓ To change from one group to the other one, push **LB** followed by **RB** (**LB&RB**).
- ✓ To activate/inactivate the alternate display of [bar <-> %] or [PSI <-> %], enter in Group 1, push **LB** for about 2 seconds.
- ✓ To activate/inactivate the alternate display of [bar <-> °C] or [PSI <-> °C], enter in Group 1, push **RB** for about 2 seconds.

Example

- ✓ If you want to read the pressure as a % of the sensor nominal range (LRL/URL):
 1. Select group 2 by **LB&RB**.
 2. Press **LB** as many times as you read the pressure as a % of the sensor nominal range, then release.
- ✓ If you want to read the pressure in bar:
 1. Go back to group 1 by **LB&RB**.
 2. Press **LB** until "bar" appears, then release.

4.4 - CONFIGURATION OF THE DEVICE - USE OF FUNCTIONS

The device configuration functions are:

F1	⇒	Save configuration in Non Volatile Memory
F2	⇒	Display of LRV and URV
F3	⇒	Low Range Value change
F4	⇒	Upper Range Value change
F5	⇒	Damping
F6	⇒	Configure and calibrate LRV/URV from input pressures (span unchanged)
F7	⇒	Configure and calibrate LRV/URV from input pressures (span modified)
F8	⇒	Calibrate zero pressure reference
F9	⇒	Engineering unit (bar/PSI)
F10	⇒	Failsafe direction
F11	⇒	Output action selection
F12	⇒	Transfer Function Selection (Linear/SQR)

- ✓ To scroll functions, keep the **LB+RB** pushed until you reach the desired function.
- ✓ When the required function appears on the display, the buttons have to be released to remain in that state.
- ✓ Functions can be executed according to the procedure described in the following paragraphs.
- ✓ A time out is implemented and therefore, if no action is taken after 3 seconds, the device returns to the normal display.

FUNCTION 1: Allows the storage of the configuration in the Non Volatile Memory

- Press **LB+RB** ⇒ to select F1, then release
Press **LB** ⇒ A short message will appear (Ld) to confirm that your configuration has been loaded in the Non Volatile Memory.

After this message, the system returns to the normal display and your configuration has been saved.

NOTE:

This function saves the following parameter inside the Non Volatile Memory:

- 1) Zero calibration of the instrument (zero pressure reference).
- 2) Visualization mode.
- 3) URV and LRV.
- 4) Damping filter valve.
- 5) Fail mode selection.
- 6) Output action selection.
- 7) Transfer function selection.



FUNCTION 2: Low Range Value (LRV) and Upper Range Value (URV) display only

With this function you can read LRV and URV but you cannot change them. (See functions 3 and 4 for any change.)

- Press **LB+RB** ⇒ until you reach F2, then release
Press **LB** ⇒ Display LRV
Press **LB&RB** ⇒ Display LRV as % of the sensor nominal range
Press **RB** ⇒ Display URV
Press **RB&LB** ⇒ Display URV as % of the sensor nominal range

FUNCTION 3: Allows to change the LRV without changing URV (span will be modified)

- Press **LB+RB** ⇒ until you reach F3, then release
Press **LB** or **RB** ⇒ Display LRV
Press **RB** ⇒ Increase until you reach the desired value
Press **LB** ⇒ Decrease until you reach the desired value
Press **RB+LB** ⇒ Store the value in Volatile Memory

After the confirmation **LB+RB**, the message "Ld" will appear to confirm that your modification has been loaded in the Volatile Memory. After this message, the system returns to the normal display.



NOTE: The minimum span you are allowed to set without changing URV is 10 % of the sensor nominal range.



Remember to store the new values in the Non Volatile Memory through the F1 function otherwise the data will get lost after switching off the instrument.

FUNCTION 4: Allows to change the URV without changing LRV (span will be modified)

- Press **LB+RB** ⇒ until you reach F4, then release
- Press **LB** or **RB** ⇒ Display URV
- Press **RB** ⇒ Increase until you reach the desired value
- Press **LB** ⇒ Decrease until you reach the desired value
- Press **RB+LB** ⇒ Store the value in Volatile Memory

After the confirmation LB+RB, the message "Ld" will appear to confirm that your modification has been loaded in the Volatile Memory. After this message, the system returns to the normal display.



NOTE: The minimum span you are allowed to set without changing LRV is 10 % of the sensor nominal range.



Remember to store the new values in the Non Volatile Memory though the F1 function otherwise the data will get lost after switching off the instrument.

FUNCTION 5: Allows to display and modify the damping filter

- Press **LB+RB** ⇒ until you reach F5, then release
- Press **LB** or **RB** ⇒ Display the filter value
- Press **RB** ⇒ Increase until you reach the desired filter value
- Press **LB** ⇒ Decrease until you reach the desired filter value
- Press **RB+LB** ⇒ Store the value in Volatile Memory

After the confirmation LB+RB, the message "Ld" will appear to confirm that your modification has been loaded in the Volatile Memory. After this message, the system returns to the normal display.



NOTE:

- ✓ The filter value you are allowed to set is between 1 second and 31 seconds.
- ✓ If the filter value is not equal to zero, the "sec." symbol will appear in normal display.
- ✓ The filter is a digital 1st order Low Pass Filter



Remember to store the new values in the Non Volatile Memory though the F1 function otherwise the data will get lost after switching off the instrument.

FUNCTION 6: Allows to configure and calibrate URV or LRV using the input pressures (span unchanged)

- Press **LB+RB** ⇒ until you reach F6, then release
- ⇒ Apply LRV pressure
- Press **LB** ⇒ Display the applied pressure value
- Press **LB&RB** ⇒ Set LRV (4 mA) to the displayed pressure value
- ⇒ Apply URV pressure
- Press **RB** ⇒ Display the applied pressure value
- Press **RB&LB** ⇒ Set URV (20 mA) to the displayed pressure value

The new LRV is accepted only if:

- ✓ Pressure value + span < 105 % of sensor nominal range

The new URV is accepted only if:

- ✓ Pressure value < 105 % of the sensor nominal range
- ✓ Pressure value — span > -105% of the sensor nominal range

When the above mentioned conditions are met, the message "Ld" will appear to confirm that your modification has been loaded in the Volatile Memory. After this message, the system returns to the normal display. If the message "Ld" does not appear, the first step of F6 is displayed again.



NOTE: The minimum span you are allowed to set is equal to 10 % of the sensor nominal range.



Remember to store the new values in the Non Volatile Memory though the F1 function otherwise the data will get lost after switching off the instrument.

FUNCTION 7: Allows to configure and calibrate URV or LRV using the input pressures (span modified)

- Press **LB+RB** ⇒ until you reach F7, then release
- ⇒ Apply LRV pressure
- Press **LB** ⇒ Display the applied pressure value
- Press **LB&RB** ⇒ Set LRV (4 mA) to the displayed pressure value
- ⇒ Apply URV pressure
- Press **RB** ⇒ Display the applied pressure value
- Press **RB&LB** ⇒ Set URV (20 mA) to the displayed pressure value

The new LRV is accepted only if:

- ✓ Pressure value < 95 % of the sensor nominal range

The new URV is accepted only if:

- ✓ Pressure value < 105 % of the sensor nominal range
- ✓ Pressure value > -105% of sensor nominal range + minimum span

When the above mentioned conditions are met, the message “Ld” will appear to confirm that your modification has been loaded in the Volatile Memory. After this message, the system returns to the normal display. If the message “Ld” does not appear, the first step of F7 is displayed again.

If the new LRV (URV) decreases **the span under 10% of the sensor nominal range**, URV (LRV) will be changed to have a span value equal to minimum.



Remember to store the new values in the Non Volatile Memory though the F1 function otherwise the data will get lost after switching off the instrument.

FUNCTION 8: Allows to calibrate the zero pressure value of the instrument

- Press **LB+RB** ⇒ until you reach F8, then release
- Ensure zero pressure applied (P=atmospheric pressure for gauge tx or P=vacuum for absolute pressure tx)
- Press **LB** ⇒ Display the applied pressure value
- Press **LB&RB** ⇒ Set the primary value to zero
- and hold both ⇒ The display will show “0000” value
- pushed ⇒ After about 3 sec “Ld” is displayed: new zero is loaded in the volatile memory

- Release **RB** while **LB** is ⇒ The display returns to show the applied pressure value
- still pressed
- After the “Ld” message, the system returns to the normal display



Remember to store the new values in the Non Volatile Memory though the F1 function otherwise the data will get lost after switching off the instrument.

FUNCTION 9: Allows to choose the engineering units PSI or bar

- Press **LB+RB** ⇒ until you reach F9, then release
- Press **LB (first time)** ⇒ Display the actual engineering unit
- Press **LB** ⇒ Change the unit (bar <-> PSI) and store the new selection in volatile memory
- Press **LB+RB** ⇒ Go to the next function (F10)

WARNING:



- ✓ The time out will confirm the last unit you have selected.
- ✓ If the bar engineering unit has been selected, the symbol “bar” (or mbar) will appear on the display.
- ✓ If the PSI engineering unit has been selected, the symbol PSI will not appear with the primary value, but will be displayed alone every ten seconds.



Remember to store the new values in the Non Volatile Memory though the F1 function otherwise the data will get lost after switching off the instrument.

FUNCTION 10: Failsafe direction Selection

The transmitter will go to a failsafe direction when it detects a failure. (In that case, the measurement in % on the display goes to 555.5 %.)

LO: low alarm with a fixed current < 3.6 mA

HI: high alarm with a fixed current > 21.8 mA

Press **LB+RB** ⇒ until you reach F10, then release

Press **LB (first time)** ⇒ Display the actual failsafe direction

Press **LB** ⇒ Change the direction (Hi <-> Lo) and store the new selection in volatile memory.

Press **LB+RB** ⇒ Go to the next function (F11).



WARNING: The time out will confirm the last direction you have selected.



Remember to store the new values in the Non Volatile Memory though the F1 function otherwise the data will get lost after switching off the instrument.

FUNCTION 11: Output Action Selection

The current output signal (4-20 mA) is related to the input signal (pressure) depending on the action selection:

dO (direct Output): Direct linear action

Input=LRV - Output= 0%=4 mA

Input=URV - Output= 100%=20 mA

CO (complementary Output): Reverse linear action

Input=LRV - Output=100%=20 mA

Input=URV - Output= 0%=4 mA

Press **LB+RB** ⇒ Until you reach F11, then release

Press **LB (first time)** ⇒ Display the actual Output action

Press **LB** ⇒ Change the action (dO <-> cO) and store the new selection in volatile memory

Press **LB+RB** ⇒ Go to the next (F12)



WARNING: The time out will confirm the last direction you have selected.)



Remember to store the new values in the Non Volatile Memory though the F1 function otherwise the data will get lost after switching off the instrument.

FUNCTION 12: Transfer Function Selection

The transmitter has an output signal (4 - 20 mA) following a

LF (Linear Function): $Out\% = X * 100$

SF (SQR Function) : for $X > 0$ $Out\% = SQR(X) * 100$.

with $X = [Input / (URV - LRV)]$

Press **LB+RB** ⇒ until you reach F12, then release

Press **LB (first time)** ⇒ Display the actual Transfer Function

Press **LB** ⇒ Change the Transfer Function (SF <-> LF) and store the new selection in volatile memory

Press **LB+RB** ⇒ The system returns to the normal display.



WARNING: The time out will confirm the last direction you have selected.



Remember to store the new values in the Non Volatile Memory though the F1 function otherwise the data will get lost after switching off the instrument.

5. CALIBRATION

The instrument allows the access to a procedure for periodic calibration of current output and of pressure measurement

- ✓ When the device is powered it will show a pre-established sequence for about 6 seconds.
- ✓ If during this sequence both buttons are pushed (**LB+RB**) the instrument enters in to the calibration procedure.
- ✓ Using this procedure it is possible to calibrate the current output 4 — 20 mA and the pressure measurement using accurate reference instruments.



Remember that the following calibration procedures change the factory trims.

WARNING: Do not calibrate if the instrument is operative on the process.

Follow with care the instruction.

5.1 - OUTPUT CURRENT CALIBRATION

- ✓ Using this calibration you can verify and adjust the output signal 4 —20 mA.
- ✓ For the calibration are required:
- ✓ A precision multimeter for current measurement
- ✓ Insert the multimeter in series in the current loop (range μ A)

After power on the display will show the first step of the current calibration sequence : **1c04**

The calibration starts at 4 mA and ends at 20 mA with steps of 2 mA.

The **1c** characters identify the present procedure

The **xx (04 — 06 — 08 -- 20)** characters identify the current value (mA) to be calibrated.

- Press **LB** ⇒ To decrease the current until the reading on the multimeter reaches the value to be calibrated
(e.g. **1c04** ⇒ I=4.00 mA, **1c06** ⇒ I= 6.00 mA). On the display the Digital to Analogue Converter value is shown.
- Press **RB** ⇒ To increase the current until the reading on the multimeter reaches the value to be calibrated
(e.g. **1c04** ⇒ I=4.00 mA, **1c06** ⇒ I= 6.00 mA). On the display the Digital to Analogue Converter value is shown.
- Press **LB+RB** ⇒ To confirm the value and pass to the following step (e.g. **1c04** ⇒**1c06**). Proceed the calibration until **1c20**.



NOTE: The last step **1c20** calibrates the 20 mA output, saves the data in to non volatile memory and pass to the pressure calibration sequence.



To exit from the procedure without any changes on the current calibration turn off the power before the end of 1c20 step.

Do not turn off the power during the 1c20 step otherwise the data in the non volatile memory could get lost.

5.2 - SENSOR'S NON-LINEARITY ADJUSTMENT

- ✓ Using this procedure it is possible to adjust the pressure measurement on one side (positive or negative) of the transmitter referring it to an external pressure generator/indicator.
- ✓ For the calibration are required:
- ✓ An accurate pressure generator/indicator.
- ✓ Connect the pressure generator at the positive (or negative: see following note) pressure connection of the transmitter.

At the end of the current calibration procedure on the display will appear the first step of the pressure calibration sequence : **3c00**

To skip this calibration turn off the power.

The calibration proceed from 0% to 100% of the nominal range with steps of 20%.

The **3c** characters identify the present procedure

The **xx (00 — 20 — 40 -- 80)** characters identify the value (% of the nominal range) to be calibrated.

- Display **3c00** Set of zero pressure reference. Leave both the pressure connections at the atmospheric pressure.
- Push **LB** ⇒ On display will be shown the actual value of the Analogue to Digital Converter
- Push **RB** ⇒ On display will be shown the actual value of the measurement as % of the Nominal Range.
- Push **LB+RB** ⇒ To set the value and go to the following step (e.g. **3c00** ⇒**3c20**).



NOTE: The new value is accepted only if it differs maximum +/- 5% respect to the ideal calibration (perfect linear sensor).

- Display **3c20** ⇒ **3c80** Pressure Calibration. Apply a pressure equal to the **xx%** of the Nominal Full Scale of the Sensor.
 E.g. Display = **3c40**, Full Scale = **4 bar**
 Apply **P = 1,6 bar** (equal to 40% of 4 bar)
- Push **LB** ⇒ On display will be shown the actual value of the Analogue to Digital Converter
- Push **RB** ⇒ On display will be shown the actual value of the measurement as % of the Nominal Range.
- Push **LB+RB** ⇒ To set the value and go to the following step (e.g. **3c20** ⇒ **3c40**).



NOTE: The new value is accepted only if it differs maximum +/- 5% respect to the ideal calibration (perfect linear sensor).

- Display **3cFS** Full Scale Calibration. Apply a pressure equal to the FS
- Push **LB** ⇒ On display will be shown the actual value of the Analogue to Digital Converter
- Push **RB** ⇒ On display will be shown the actual value of the measurement as % of the Nominal Range.
- Push **LB+RB** ⇒ To set the value and save the pressure calibration data in to non volatile memory.
The instrument automatically resets and returns to the normal display



NOTE:

- ✓ The new value is accepted only if it differs maximum +/- 5% respect to the ideal calibration (perfect linear sensor).
- ✓ Calibration always refers to the Nominal Range of the sensor and is independent from the LRV and URV.
- ✓ The last step **3cFS** calibrates the Full Scale and saves the data in to the non volatile memory.



NOTE:

In place of calibrate the positive side of the measuring cell it is possible to calibrate the negative side. In this case connect the negative pressure connection of the transmitter to the pressure generator. During calibration the measure (%) of the pressure will be negative.



To exit from the procedure without any changes on the current calibration turn off the power before the end of 3cFS step.

Do non turn off the power during the 3cFS step otherwise the data in the non volatile memory could get lost.

6 - MAINTENANCE

6.1 - PERIODIC SERVICE

The transmitters of this series have no moving components and therefore the maintenance operations are related only to the environment conditions. It is suggested a periodic control of the internal parts in the top housing to ensure that no moisture infiltration is present and that the terminals are clean so as to assure a good electric continuity. Do not use solvents for cleaning. The main electronic components, the housing with encapsulated sensor and electronic module are mounted and calibrated in factory and if the necessary equipment is not available it is very difficult to replace one of these components. If repair is required contact OMEGA Engineering's Customer Service Department for an authorization return (AR) number.

6.2 - TROUBLESHOOTING

Verification of correct operation of the transmitter should be based on the instruction discussed in the present manual. In absence of output signal or an output value not corresponding to the real value, the following tests are suggested:

- 6.2.1 Connections. The process piping must be installed correctly, unwanted gas or liquid pockets can affect the measured value and accumulation of dirt and pipe incrustation may cause blocks. The interception must be in the open position. Check that wiring is correct (polarity) and in good condition, both for mains supply and shielding.
- 6.2.2 - External load: supply voltage value is a function of the resistive load, verify this value.
- 6.2.3 - Power supply: the D.C. voltage must have the correct value and polarity.
- 6.2.4 - Calibration tests.

Follow the instruction in chapter 4 and 5.

With the adjustment of LB and RB buttons it should be possible to set lower and upper scale values to 4 and 20 mA. If this operation is not successful, the unit should be returned to OMEGA Engineering for repair.

NOTES

WARRANTY/DISCLAIMER

OMEGA ENGINEERING, INC. warrants this unit to be free of defects in materials and workmanship for a period of **13 months** from date of purchase. OMEGA's WARRANTY adds an additional one (1) month grace period to the normal **one (1) year product warranty** to cover handling and shipping time. This ensures that OMEGA's customers receive maximum coverage on each product.

If the unit malfunctions, it must be returned to the factory for evaluation. OMEGA's Customer Service Department will issue an Authorized Return (AR) number immediately upon phone or written request. Upon examination by OMEGA, if the unit is found to be defective, it will be repaired or replaced at no charge. OMEGA's WARRANTY does not apply to defects resulting from any action of the purchaser, including but not limited to mishandling, improper interfacing, operation outside of design limits, improper repair, or unauthorized modification. This WARRANTY is VOID if the unit shows evidence of having been tampered with or shows evidence of having been damaged as a result of excessive corrosion; or current, heat, moisture or vibration; improper specification; misapplication; misuse or other operating conditions outside of OMEGA's control. Components in which wear is not warranted, include but are not limited to contact points, fuses, and triacs.

OMEGA is pleased to offer suggestions on the use of its various products. However, OMEGA neither assumes responsibility for any omissions or errors nor assumes liability for any damages that result from the use of its products in accordance with information provided by OMEGA, either verbal or written. OMEGA warrants only that the parts manufactured by it will be as specified and free of defects. OMEGA MAKES NO OTHER WARRANTIES OR REPRESENTATIONS OF ANY KIND WHATSOEVER, EXPRESS OR IMPLIED, EXCEPT THAT OF TITLE, AND ALL IMPLIED WARRANTIES INCLUDING ANY WARRANTY OF MERCHANTABILITY AND FITNESS FOR A PARTICULAR PURPOSE ARE HEREBY DISCLAIMED. LIMITATION OF LIABILITY: The remedies of purchaser set forth herein are exclusive, and the total liability of OMEGA with respect to this order, whether based on contract, warranty, negligence, indemnification, strict liability or otherwise, shall not exceed the purchase price of the component upon which liability is based. In no event shall OMEGA be liable for consequential, incidental or special damages.

CONDITIONS: Equipment sold by OMEGA is not intended to be used, nor shall it be used: (1) as a "Basic Component" under 10 CFR 21 (NRC), used in or with any nuclear installation or activity; or (2) in medical applications or used on humans. Should any Product(s) be used in or with any nuclear installation or activity, medical application, used on humans, or misused in any way, OMEGA assumes no responsibility as set forth in our basic WARRANTY/DISCLAIMER language, and, additionally, purchaser will indemnify OMEGA and hold OMEGA harmless from any liability or damage whatsoever arising out of the use of the Product(s) in such a manner.

RETURN REQUESTS/INQUIRIES

Direct all warranty and repair requests/inquiries to the OMEGA Customer Service Department. BEFORE RETURNING ANY PRODUCT(S) TO OMEGA, PURCHASER MUST OBTAIN AN AUTHORIZED RETURN (AR) NUMBER FROM OMEGA'S CUSTOMER SERVICE DEPARTMENT (IN ORDER TO AVOID PROCESSING DELAYS). The assigned AR number should then be marked on the outside of the return package and on any correspondence.

The purchaser is responsible for shipping charges, freight, insurance and proper packaging to prevent breakage in transit.

FOR **WARRANTY** RETURNS, please have the following information available BEFORE contacting OMEGA:

1. Purchase Order number under which the product was PURCHASED,
2. Model and serial number of the product under warranty, and
3. Repair instructions and/or specific problems relative to the product.

FOR **NON-WARRANTY** REPAIRS, consult OMEGA for current repair charges. Have the following information available BEFORE contacting OMEGA:

1. Purchase Order number to cover the COST of the repair,
2. Model and serial number of the product, and
3. Repair instructions and/or specific problems relative to the product.

OMEGA's policy is to make running changes, not model changes, whenever an improvement is possible. This affords our customers the latest in technology and engineering.

OMEGA is a registered trademark of OMEGA ENGINEERING, INC.

© Copyright 2007 OMEGA ENGINEERING, INC. All rights reserved. This document may not be copied, photocopied, reproduced, translated, or reduced to any electronic medium or machine-readable form, in whole or in part, without the prior written consent of OMEGA ENGINEERING, INC.

Where Do I Find Everything I Need for Process Measurement and Control? **OMEGA...Of Course!** *Shop online at omega.com*

TEMPERATURE

- ☑ Thermocouple, RTD & Thermistor Probes, Connectors, Panels & Assemblies
- ☑ Wire: Thermocouple, RTD & Thermistor
- ☑ Calibrators & Ice Point References
- ☑ Recorders, Controllers & Process Monitors
- ☑ Infrared Pyrometers

PRESSURE, STRAIN AND FORCE

- ☑ Transducers & Strain Gages
- ☑ Load Cells & Pressure Gages
- ☑ Displacement Transducers
- ☑ Instrumentation & Accessories

FLOW/LEVEL

- ☑ Rotameters, Gas Mass Flowmeters & Flow Computers
- ☑ Air Velocity Indicators
- ☑ Turbine/Paddlewheel Systems
- ☑ Totalizers & Batch Controllers

pH/CONDUCTIVITY

- ☑ pH Electrodes, Testers & Accessories
- ☑ Benchtop/Laboratory Meters
- ☑ Controllers, Calibrators, Simulators & Pumps
- ☑ Industrial pH & Conductivity Equipment

DATA ACQUISITION

- ☑ Data Acquisition & Engineering Software
- ☑ Communications-Based Acquisition Systems
- ☑ Plug-in Cards for Apple, IBM & Compatibles
- ☑ Datalogging Systems
- ☑ Recorders, Printers & Plotters

HEATERS

- ☑ Heating Cable
- ☑ Cartridge & Strip Heaters
- ☑ Immersion & Band Heaters
- ☑ Flexible Heaters
- ☑ Laboratory Heaters

ENVIRONMENTAL MONITORING AND CONTROL

- ☑ Metering & Control Instrumentation
- ☑ Refractometers
- ☑ Pumps & Tubing
- ☑ Air, Soil & Water Monitors
- ☑ Industrial Water & Wastewater Treatment
- ☑ pH, Conductivity & Dissolved Oxygen Instruments