



FPR130 Series Visual Flow Indicator with Pulse Output



M-1982/1112

Shop online at: omega.com e-mail: info@omega.com
For latest product manuals: omegamanual.info

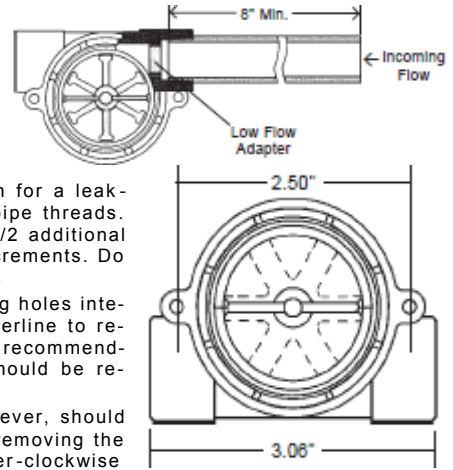
Description: FPR130 units monitor dynamic fluid flow. The rotor reacts to turbulence, pulsation, entrained air, and other flow abnormalities induced in the flow stream by other process hardware. For optimum performance, install units where nominal flow conditions exist, with ports located at the top. Incoming flow may be placed to either port. A minimum of 8" of straight pipe on the inlet side is required.

Installation: FPR130 series sensors connect to piping via NPT mating thread forms. The following guidelines are provided to assist with installation for a leak-free seal, without damage to the unit: 1. Apply pipe thread sealant to male pipe threads. 2. Thread unit onto male pipe thread until hand-tight. 3. Tighten pipe 1 to 1-1/2 additional turns. 4. If improper seal results, continue turning pipe into unit in 1/4 turn increments. Do not exceed one additional turn. Recommended Pipe Sealant: PFA Thread Tape.

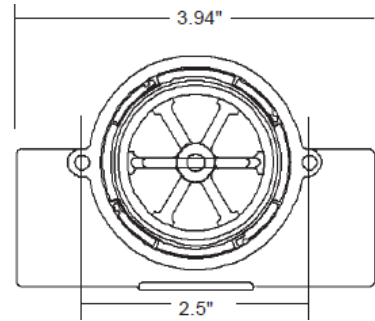
Panel Mounting: Any FPR130 series sensor may be panel mounted using holes integrated into the bodies. Two (2) mounting ears are provided at the body centerline to receive #8 self-tapping screws. NOTE: ANSI T Type 23 self-tapping screws are recommended. They may be replaced with standard machine screws if reinstallation should be required.

Filtration and Cleaning: 150 micron filtration is recommended. However, should foreign particles enter the FPR130 sensor, accumulation is easily cleared by removing the lens from the body. The lens is removed by turning its center rib 45° counter-clockwise and then pulling it out. To reinstall the lens, simply reverse the process. Pressure must be relieved from the system prior to sensor clean-out.

NOTES: Product must be maintained and installed in strict accordance with the National Electrical Code and Omega product catalog and instruction bulletin. Failure to observe this warning could result in serious injuries or damages. An appropriate explosion-proof enclosure or intrinsically safe interface device must be used for hazardous area applications involving such things as (but not limited to) ignitable mixtures, combustible dust and flammable materials. Pressure and temperature limitations shown on individual catalog pages and drawings for the specified flow switches must not be exceeded. These pressures and temperatures take into consideration possible system surge pressures/temperatures and their frequencies. Selection of materials for compatibility with the media is critical to the life and operation of Omega flow switches. Take care in the proper selection of materials of construction; particularly wetted materials. Life expectancy of switch contacts varies with applications. Contact Omega if life cycle testing is required. Ambient temperature changes do affect switch set points, since the specific gravity of a liquid can vary with temperature. Flow switches have been designed to resist shock and vibration; however, shock and vibration should be minimized. Liquid media containing particulate and/or debris should be filtered to ensure proper operation of Omega products. Electrical entries and mounting points may require liquid/vapor sealing if located in an enclosed tank. Flow switches must not be field repaired. Physical damaged sustained by the product may render it unserviceable.

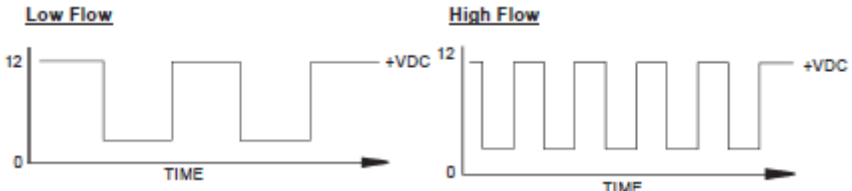


.25", .50" Plastic and Brass Bodies*
*BSPP plastic units are 4.95"



.75" Brass Bodies

Signal Output: Output signal is an on/off pulse of the DC voltage supplied to the unit. It is compatible with all digital logic families. Input voltage range is 4.5 to 24 VDC. Frequency of the output pulse is proportional to the flow rate and ranges from approximately 15 Hz at low flow to 225 Hz at high flow.



Electrical Data: Input Power and output are connected via a multi-conductor, PVC-jacketed 24" cable.

+VDC	Red
Ground	Black
Signal Output	White

This product is suitable for Class I and Class II applications only, per the requirements of standard EN60730 and any additional specific requirements for a particular application or medium being sensed. Class I compliance of metal bodied units requires a ground connection between the metal body and the earthing system of the installation. Class I compliance of plastic bodied units in contact with a conductive medium requires that the medium be effectively earthed so as to provide an earthed barrier between the unit and accessible areas. For Class III compliance, a supply at safety extra-low voltage (SELV) must be provided. Please consult the Factory for compliance information on specific part numbers.



Body Material	Port Size	Part Number NPT Threads	Part Number BSPP Threads	Flow Range—GPM			K-Factor (Pulses/Gal)	
				Standard Range	Low Flow Range	Adapter Part Number	Standard	Low Flow
Polypropylene	.25"	FPR131	FPR131-BSP	0.5 - 5.0	0.1 - 1.0	152147	2196	10,900
	.50"	FPR132	FPR132-BSP	4.0 - 20.0	1.5 - 12.0	151832	611	959
Brass	.25"	FPR133	FPR133-BSP	0.5 - 5.0	0.1 - 1.0	152147	2196	10900
	.50"	FPR134	FPR134-BSP	4.0 - 20.0	1.5 - 12.0	133743	611	959
	.75"	FPR135	FPR135-BSP	5.0 - 30.0	N/A	N/A	385	N/A
	1.00"	FPR136	FPR131-BSP	8.0 - 60.0	N/A	N/A	180	N/A
Stainless Steel	.25"	FPR133-SS	FPR133-BSP-SS	0.5 - 5.0	0.1 - 1.0	152147	2196	10900
	.50"	FPR134-SS	FPR134-BSP-SS	4.0 - 20.0	1.5 - 12.0	133743	611	959
	.75"	FPR135-SS	FPR135-BSP-SS	5.0 - 30.0	N/A	N/A	385	N/A
	1.00"	FPR136-SS	FPR131-BSP-SS	8.0 - 60.0	N/A	N/A	180	N/A

omega.com[®]

Ω OMEGA

OMEGAnet[®] Online Service
omega.com

Internet e-mail
info@omega.com

Servicing North America:

U.S.A.: Omega Engineering, Inc., One Omega Drive, P.O. Box 4047
ISO 9001 Certified Stamford, CT 06907-0047
Toll-Free: 1-800-826-6342 Tel: (203) 359-1660
FAX: (203) 359-7700 e-mail: info@omega.com

Canada: 976 Bergar
Laval (Quebec), Canada H7L 5A1
Toll-Free: 1-800-826-6342 TEL: (514) 856-6928
FAX: (514) 856-6886 e-mail: info@omega.ca

Servicing Europe:

Benelux: Managed by the United Kingdom Office
Toll-Free: 0800 099 3344 TEL: +31 20 347 21 21
FAX: +31 20 643 46 43 e-mail: sales@omega.nl

Czech Republic: Frystatska 184
733 01 Karviná, Czech Republic
Toll-Free: 0800-1-66342 TEL: +420-59-6311899
FAX: +420-59-6311114 e-mail: info@omegashop.cz

France: Managed by the United Kingdom Office
Toll-Free: 0800 466 342 TEL: +33 (0) 161 37 29 00
FAX: +33 (0) 130 57 54 27 e-mail: sales@omega.fr

Germany/Austria: Daimlerstrasse 26, D-75392 Deckenfronn, Germany
Toll-Free: 0 800 6397678 TEL: +49 (0) 7059 9398-0
FAX: +49 (0) 7056 9398-29 e-mail: info@omega.de

United Kingdom: OMEGA Engineering Ltd.
One Omega Drive, River Bend Technology Centre, Northbank
Irlam, Manchester M44 5BD England
ISO 9001 Certified Toll-Free: 0800-488-488 TEL: +44 (0)161 777-6611
FAX: +44 (0)161 777-6622 e-mail: sales@omega.co.uk

For immediate technical or application assistance:

U.S.A. and Canada: Sales Service: 1-800-826-6342 / 1-800-TC-OMEGA[®]
Customer Service: 1-800-622-2378 / 1-800-622-BEST[®]
Engineering Service: 1-800-872-9436 / 1-800-USA-WHEN[®]

Mexico: En Español: 001 (203) 359-7803 FAX: (001) 203-359-7807
info@omega.com.mx e-mail: espanol@omega.com

It is the policy of OMEGA Engineering, Inc. to comply with all worldwide safety and EMC/EMI regulations that apply. OMEGA is constantly pursuing certification of its products to the European New Approach Directives. OMEGA will add the CE mark to every appropriate device upon certification.

The information contained in this document is believed to be correct, but OMEGA accepts no liability for any errors it contains, and reserves the right to alter specifications without notice.

WARNING: These products are not designed for use in, and should not be used for, human applications.

WARRANTY/DISCLAIMER

OMEGA ENGINEERING, INC. warrants this unit to be free of defects in materials and workmanship for a period of **13 months** from date of purchase. OMEGA's WARRANTY adds an additional one (1) month grace period to the normal **one (1) year product warranty** to cover handling and shipping time. This ensures that OMEGA's customers receive maximum coverage on each product.

If the unit malfunctions, it must be returned to the factory for evaluation. OMEGA's Customer Service Department will issue an Authorized Return (AR) number immediately upon phone or written request. Upon examination by OMEGA, if the unit is found to be defective, it will be repaired or replaced at no charge. OMEGA's WARRANTY does not apply to defects resulting from any action of the purchaser, including but not limited to mishandling, improper interfacing, operation outside of design limits, improper repair, or unauthorized modification. This WARRANTY is VOID if the unit shows evidence of having been tampered with or shows evidence of having been damaged as a result of excessive corrosion; or current, heat, moisture or vibration; improper specification; misapplication; misuse or other operating conditions outside of OMEGA's control. Components in which wear is not warranted, include but are not limited to contact points, fuses, and triacs.

OMEGA is pleased to offer suggestions on the use of its various products. However, OMEGA neither assumes responsibility for any omissions or errors nor assumes liability for any damages that result from the use of its products in accordance with information provided by OMEGA, either verbal or written. OMEGA warrants only that the parts manufactured by the company will be as specified and free of defects. OMEGA MAKES NO OTHER WARRANTIES OR REPRESENTATIONS OF ANY KIND WHATSOEVER, EXPRESSED OR IMPLIED, EXCEPT THAT OF TITLE, AND ALL IMPLIED WARRANTIES INCLUDING ANY WARRANTY OF MERCHANTABILITY AND FITNESS FOR A PARTICULAR PURPOSE ARE HEREBY DISCLAIMED. LIMITATION OF LIABILITY: The remedies of purchaser set forth herein are exclusive, and the total liability of OMEGA with respect to this order, whether based on contract, warranty, negligence, indemnification, strict liability or otherwise, shall not exceed the purchase price of the component upon which liability is based. In no event shall OMEGA be liable for consequential, incidental or special damages.

CONDITIONS: Equipment sold by OMEGA is not intended to be used, nor shall it be used: (1) as a "Basic Component" under 10 CFR 21 (NRC), used in or with any nuclear installation or activity; or (2) in medical applications or used on humans. Should any Product(s) be used in or with any nuclear installation or activity, medical application, used on humans, or misused in any way, OMEGA assumes no responsibility as set forth in our basic WARRANTY/DISCLAIMER language, and, additionally, purchaser will indemnify OMEGA and hold OMEGA harmless from any liability or damage whatsoever arising out of the use of the Product(s) in such a manner.

RETURN REQUESTS / INQUIRIES

Direct all warranty and repair requests/inquiries to the OMEGA Customer Service Department. **BEFORE RETURNING ANY PRODUCT(S) TO OMEGA, PURCHASER MUST OBTAIN AN AUTHORIZED RETURN (AR) NUMBER FROM OMEGA'S CUSTOMER SERVICE DEPARTMENT (IN ORDER TO AVOID PROCESSING DELAYS).** The assigned AR number should then be marked on the outside of the return package and on any correspondence.

The purchaser is responsible for shipping charges, freight, insurance and proper packaging to prevent breakage in transit.

FOR **WARRANTY** RETURNS, please have the following information available BEFORE contacting OMEGA:

1. Purchase Order number under which the product was PURCHASED,
2. Model and serial number of the product under warranty, and
3. Repair instructions and/or specific problems relative to the product.

FOR **NON-WARRANTY** REPAIRS, consult OMEGA for current repair charges. Have the following information available BEFORE contacting OMEGA:

1. Purchase Order number to cover the COST of the repair,
2. Model and serial number of the product, and
3. Repair instructions and/or specific problems relative to the product.

OMEGA's policy is to make running changes, not model changes, whenever an improvement is possible. This affords our customers the latest in technology and engineering.

OMEGA is a registered trademark of OMEGA ENGINEERING, INC.

© Copyright 2009 OMEGA ENGINEERING, INC. All rights reserved. This document may not be copied, photocopied, reproduced, translated, or reduced to any electronic medium or machine-readable form, in whole or in part, without the prior written consent of OMEGA ENGINEERING, INC.