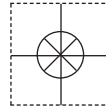
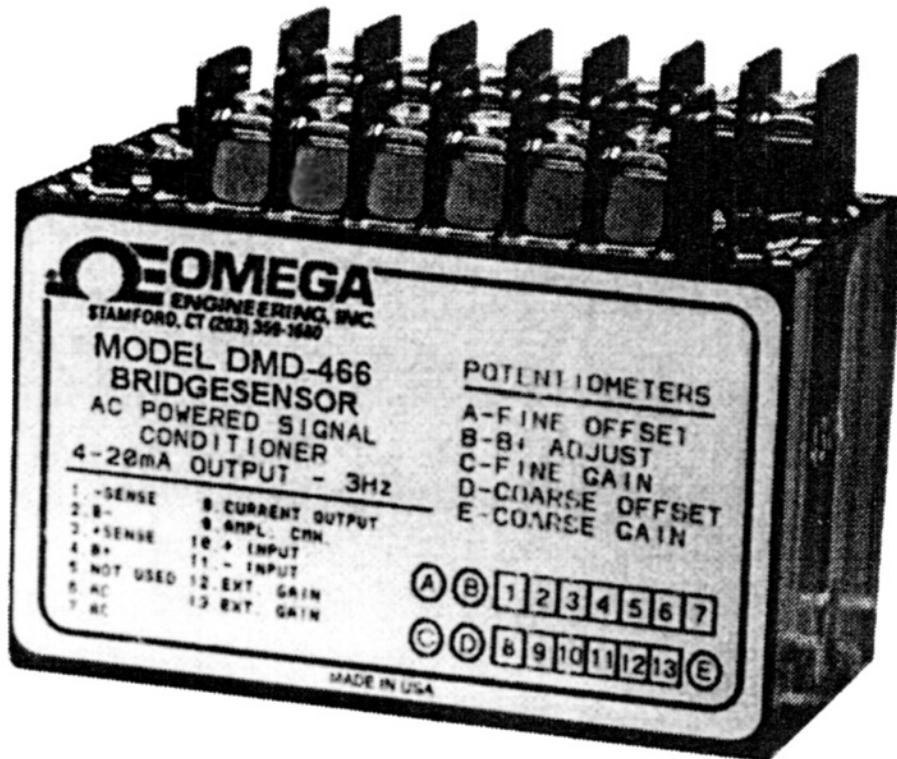


1 YEAR
WARRANTY



User's Guide



Shop online at

omega.com[®]

Ω OMEGA[®]

omega.com

e-mail: info@omega.com

*For latest product manuals:
omegamanual.info*

ISO 9001
CERTIFIED
CORPORATE QUALITY

STAMFORD, CT

ISO 9002
CERTIFIED
CORPORATE QUALITY

MANCHESTER, UK

DMD-466 BRIDGESENSOR AC Powered Signal Conditioner



OMEGAnet® Online Service
omega.com

Internet e-mail
info@omega.com

Servicing North America:

U.S.A.: One Omega Drive, P.O. Box 4047
ISO 9001 Certified Stamford, CT 06907-0047
TEL: (203) 359-1660 FAX: (203) 359-7700
e-mail: info@omega.com

Canada: 976 Bergar
Laval (Quebec) H7L 5A1, Canada
TEL: (514) 856-6928 FAX: (514) 856-6886
e-mail: info@omega.ca

For immediate technical or application assistance:

U.S.A. and Canada: Sales Service: 1-800-826-6342 / 1-800-TC-OMEGA®
Customer Service: 1-800-622-2378 / 1-800-622-BEST®
Engineering Service: 1-800-872-9436 / 1-800-USA-WHEN®

Mexico: En Español: (001) 203-359-7803 e-mail: espanol@omega.com
FAX: (001) 203-359-7807 info@omega.com.mx

Servicing Europe:

Benelux: Postbus 8034, 1180 LA Amstelveen, The Netherlands
TEL: +31 (0)20 3472121 FAX: +31 (0)20 6434643
Toll Free in Benelux: 0800 0993344
e-mail: sales@omegaeng.nl

Czech Republic: Frystatska 184, 733 01 Karviná, Czech Republic
TEL: +420 (0)59 6311899 FAX: +420 (0)59 6311114
Toll Free: 0800-1-66342 e-mail: info@omegashop.cz

France: 11, rue Jacques Cartier, 78280 Guyancourt, France
TEL: +33 (0)1 61 37 2900 FAX: +33 (0)1 30 57 5427
Toll Free in France: 0800 466 342
e-mail: sales@omega.fr

Germany/Austria: Daimlerstrasse 26, D-75392 Deckenpfronn, Germany
TEL: +49 (0)7056 9398-0 FAX: +49 (0)7056 9398-29
Toll Free in Germany: 0800 639 7678
e-mail: info@omega.de

United Kingdom: One Omega Drive, River Bend Technology Centre
ISO 9002 Certified Northbank, Irlam, Manchester
M44 5BD United Kingdom
TEL: +44 (0)161 777 6611 FAX: +44 (0)161 777 6622
Toll Free in United Kingdom: 0800-488-488
e-mail: sales@omega.co.uk

It is the policy of OMEGA Engineering, Inc. to comply with all worldwide safety and EMC/EMI regulations that apply. OMEGA is constantly pursuing certification of its products to the European New Approach Directives. OMEGA will add the CE mark to every appropriate device upon certification.

The information contained in this document is believed to be correct, but OMEGA accepts no liability for any errors it contains, and reserves the right to alter specifications without notice.

WARNING: These products are not designed for use in, and should not be used for, human applications.

Description

The Model DMD-466 is a current output signal conditioner, complete with a true differential input instrumentation amplifier, and a highly stable bridge excitation supply. It is powered from the AC line. The input amplifier incorporates a two pole roll off, 3 Hertz filter to reduce the influence of mechanical noise and power line interference on the input. The unit is encapsulated in an epoxy filled plastic container with through bolt mounting holes and screw terminal barrier strips for easy attachment of all wires.

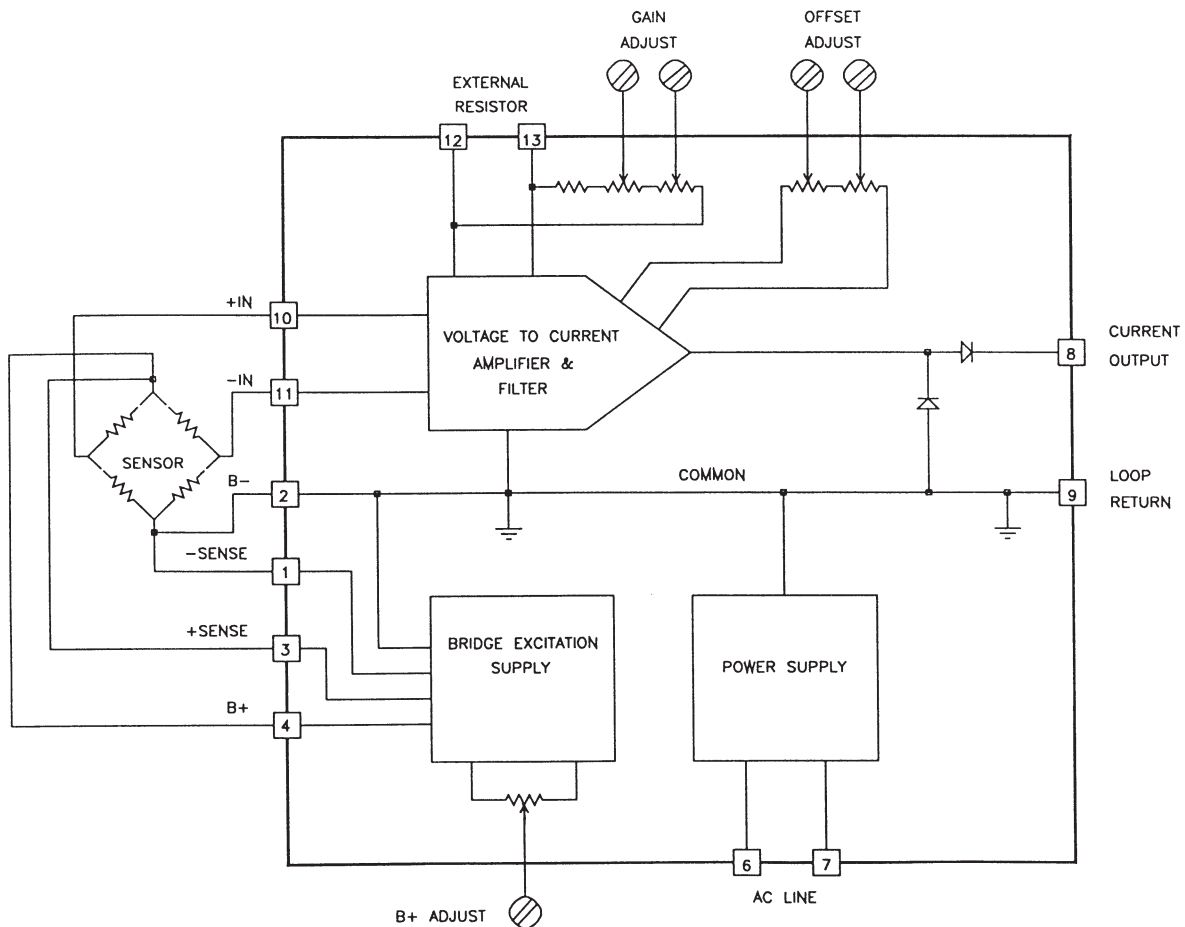
Features

- Complete Sensor Signal Conditioner with Current Output
- 115 Volts AC is all that is required
- Adjustable Voltage Excitation Supply
- Adjustable Gain Amplifier for Sensor Full Scale Outputs from 10 to 50 mV
- Zero Current Adjustable from 0 to +12 mA
- 4-20, 0-20, or 12 ±8 mA Operation
- Rugged Epoxy Encapsulated Self Contained Unit with Screw Terminal Connections

Applications

- Process Control Add-on Loops
- Can be used with All Types of Low Output Sensors
- Differential Sensors

DMD-466 Simplified Block Diagram



Specifications

NOTE: Unless otherwise noted, specifications apply after 1 hour warm-up at 25°C ambient, gain set between 320 and 1600 mA/V.

Amplifier	
Current Output Span	4 to 20 mA: 0 to 20 mA: 12 ±8 mA
Zero Adjust	0 to +12 mA
Minimum Output	0 to +60 microamp
Temperature Coefficient	0.03% of Full Output/°C max
Gain	
Adjustment Range for 4-20 mA Output	10 to 50 mV
Linearity	±0.05% of Full Output
Temp Stability	200 ppm/°C max.
Gain Potentiometer Hysteresis	0.2% of span max.
Input Bias Current	±30 nanoAmp max.
Offset	±30 nanoAmp max.
Input Impedance	
Differential and Common Mode	1000 megohms
Common Mode Rejection, DC	90dB min.
Common Mode Input	±7.5 Volts
Maximum Input	±15 Volts
Output	
Compliance Voltage	0 to +10 Volts
Current	0 to +20 mA
Loop Resistance	0 to 500 ohms
Output Impedance at DC	10 megohms, min.
Noise at gain = 320 mA/Volt 1 to 100 Hertz	1 microamp RMS, max.
Frequency Response, 3dB	3 Hertz, 2 Poll roll off
Response Time To 1% of Final Value To 0.1% of Final value	200 ms, typ. 300 ms, typ.
External Reverse Current	200mA DC, max. (diode clamped to common)
Maximum Output Current	25 mA typical
Bridge Supply	
Voltage Adjustment Range	4 to 15 Volts
Current Output	See "B+ Voltage vs. Load Current" curve for limits
Area A: 105 to 125 VAC 50/60 Hz	0 to 100 mA
Area B: 108 to 125 VAC 60 Hz	0 to 115 mA
Regulation - Load and Line	
0 to 100mA	0.05% maximum
Output Noise	
120 Hz Bandwidth	0.5mV RMS, maximum
Temperature Stability	200ppm/°C
B+ Potentiometer Hysteresis	0.3% of output maximum
Short Circuit Current	600mA, typical
Power Input	115 VAC, ±10% 50/60Hz @ 6.5 VA maximum
Optional	100, 220 or 230 VAC
Line Isolation	
Capacitance	50pF typical
Dielectric Withstand	1100 Volts RMS
Environment	
Ambient Operating	0° to +55°C
Storage	-25° to +85°C
Weight	18 oz. (510 grams)
Size	3.75"L x 2.0"W x 2.87"H 9.53 x 5.1 x 7.62 (cm)

Getting Started with the Model DMD-466

I. Hook Up Procedure

- A. Connect the + out of your load cell to the +INPUT, pin 10.
- B. Connect the - out of your load cell to the -INPUT, pin 11.

Note: If the ±SENSE are not used in your load cell application, the connections in step C & D need to be followed. If the ±SENSE are going to be used, do not jumper them as described in steps C & D.

- C. Connect B+, pin 4, to the + excitation of your load cell and jumper the +SENSE, pin 3, to B+, pin 4.
- D. Connect B-, pin 2, to the - excitation of your load cell and jumper the -SENSE, pin 1, to B-, pin 2.
- E. Connect the VAC power supply to the AC input lines, pins 6 and 7.

II. Turn On Procedure

- A. Verify that the hook up procedure is complete.
- B. Verify the correct AC voltage is applied to the DMD-466; i.e.
100, 115, 220, 230.
- C. Turn on the AC source supply to the DMD-466.
- D. Set the required EXCITATION supply voltage to the load cell by adjusting B+ ADJUST.

III. Calibration Procedure for Zero Current Adjustment

- A. Jumper the + and - input terminals, pins 10 and 11, together.
- B. Connect an amp meter across the output, pins 8 and 9.
- C. Adjust the COARSE OFFSET and the FINE OFFSET potentiometers for the desired ZERO current.

IV. Full Scale Current Adjustment

- A. Remove the jumper between the + and - input terminals and apply a known load to your load cell, in most cases it would be 100% of full scale.
- B. Adjust the COARSE GAIN and FINE GAIN potentiometers for the desired FULL SCALE output.
- C. Calibration is now complete. However, the user should recheck the ZERO & FULL SCALE current output before continuing.

Amplifier

The input amplifier is a high input impedance, differential amplifier with built in gain and offset adjustment potentiometers. The coarse and fine gain pots enable the Model DMD-466 to interface with sensor full scale output from 50 mV down to 10 mV.

The offset potentiometers allow the setting of the zero current from 0 to +12 mA. This range allows the Model DMD-466 to provide output spans of 0 to 20 mA, 4 to 20 mA, or 12 ±8 mA bipolar.

The output has a compliance of 0 to +10 Volts which will allow several in line process control detectors adding up to a total of 500 ohms loop resistance. The current output line is clamped to the common line with a diode to prevent an inadvertent inductive voltage spike from destroying the unit. This diode can conduct a DC current up to 200 mA and up to 500 mA surges of less than 8 ms.

Connecting to a Sensor

Any amplifier has a finite input current which must have a DC return path to the amplifier common. This path is automatically provided when the Model DMD-466 Bridge Excitation Supply is used to excite the sensor. If for some reason, an external supply is used to excite the sensor, one side of the external supply must be connected to the Model DMD-466 common, terminal 9 or 2. Either the positive or the negative side may be connected to the DMD-466 common, depending on how the external supply is connected to the rest of your system. The input common mode voltage to pins 10 and 11 of the Model DMD-466 must be between ±7.5 Volts.

When the Full Scale output of a sensor is measured in millivolts, i.e. say 10 millivolts, care must be exercised in the entire wiring system. At 10 millivolts full scale, each microvolt (10^{-6} Volts) contributes 0.01% of full scale output. Wire connections can generate microvolts of potential due to Contact Potentials and Thermoelectric Potentials. All wires used in making connections between a sensor and the Model DMD-466 should be of the same material. If any intervening connections are made such as a terminal block, the terminal block connecting points should have good thermal contact so they will always be at the same temperature.

Zero Current Adjustment

Connect the + and - input terminals, 10 and 11, together and connect them to COMMON, terminal 9. Adjust the COARSE and FINE OFFSET potentiometers for the desired current. Since a bridge in general is not perfectly balanced, the final ZERO adjustment should be made with the sensor connected to the amplifier and the required EXCITATION voltage set.

The ZERO adjustment should be made at about 10% of full scale output from the sensor when setting the ZERO for a 0 to 20mA span, since the output current does not go negative.

Bridge Excitation Supply

The Bridge Excitation supply is adjustable from 4 Volts to 15 Volts. The allowable load current is limited by internal power dissipation and varies from 50 mA at 4 Volts to 100mA at 15 Volts. See curve B+ VOLTAGE vs CURRENT for the safe operating area. The AREA A range of voltage and current covers all common bridges from 125 ohms and up. The bridge supply is capable of driving 4, 350 ohm load cells, providing that the line voltage does not drop below 108 VAC 60 Hz. Reference AREA B in B+ Voltage vs Load current.

The supply has provisions for remote sensing when the excitation lines may have significant resistance compared to the sensor. The +SENSE and -SENSE terminals must be connected to the B+ and B- terminals respectively, i.e. connect terminals 1 and 2 together, and connect terminals 3 and 4 together when remote sensing is not being used.

More current may be drawn from the EXCITATION supply than is shown by the B+ VOLTAGE vs CURRENT curve by using a resistor in series with the B+ lead and connecting the +SENSE terminal at the sensor. This resistor should be calculated to produce a voltage drop of 15V minus the desired bridge voltage so the B+ output is close to 15 Volts. As an example, a 40 ohm bridge would draw 100 mA at 4 Volts, which is outside the safe operating area. $15-4=11$ Volts to drop across the series resistor. $11V/0.1A=110$ ohms. Use a 2 watt series resistor. The temperature coefficient of this resistor is not critical. Adjust the Excitation supply for 4 Volts across the sensor, i.e., between the +SENSE and -SENSE terminals.

Determining Amplifier Gain

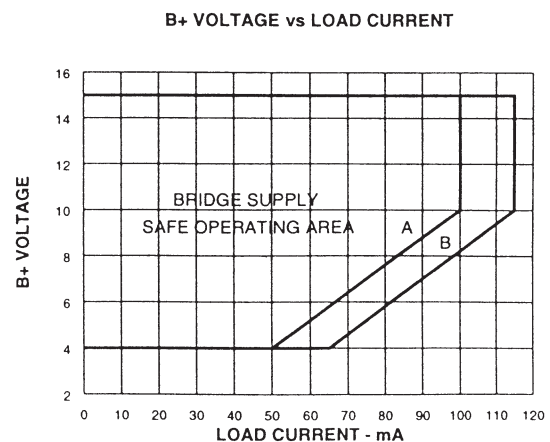
The Model DMD-466 is a voltage input, current output amplifier. The gain is therefore described as milliamps output per volt input. Thus, for a change from 4 mA to 20 mA, a 16 mA span, with a 0 to .1 Volt change on the input, the gain is 160 mA/Volt.

Calculate the required gain, G, from the following equation:

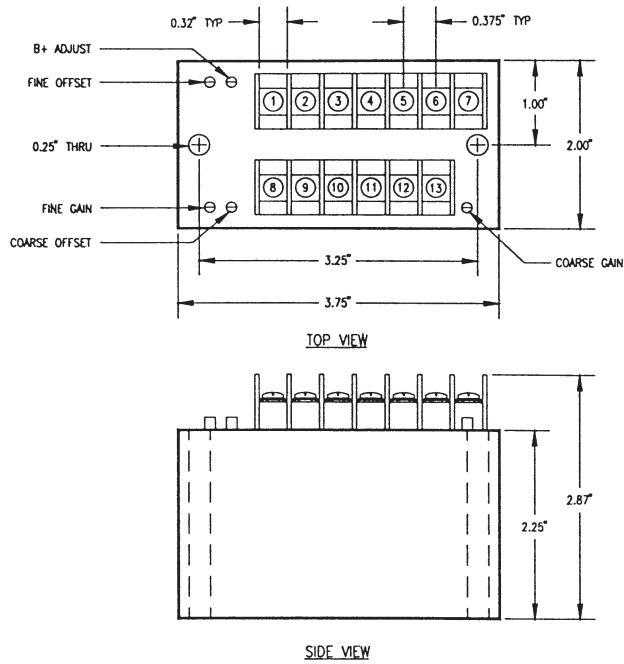
$$G = \frac{\text{Span in mA}}{\text{Sensor Full Scale Output Volts}}$$

For a span of 16mA and sensor output voltage of 50 mV,

$$G = 16/0.05 = 320 \text{ mA per volt.}$$



Mechanical Specifications



Terminal Strip Assignments			
Screw Terminal	Function	Screw Terminal	Function
1	-SENSE	8	CURRENT OUTPUT
2	B-	9	AMPLIFIER CMN
3	+SENSE	10	+INPUT
4	B+	11	-INPUT
5	NOT USED	12	EXT. GAIN
6	AC	13	EXT. GAIN
7	AC		

WARRANTY/DISCLAIMER

OMEGA ENGINEERING, INC. warrants this unit to be free of defects in materials and workmanship for a period of **13 months** from date of purchase. OMEGA's WARRANTY adds an additional one (1) month grace period to the normal **one (1) year product warranty** to cover handling and shipping time. This ensures that OMEGA's customers receive maximum coverage on each product.

If the unit malfunctions, it must be returned to the factory for evaluation. OMEGA's Customer Service Department will issue an Authorized Return (AR) number immediately upon phone or written request. Upon examination by OMEGA, if the unit is found to be defective, it will be repaired or replaced at no charge. OMEGA's WARRANTY does not apply to defects resulting from any action of the purchaser, including but not limited to mishandling, improper interfacing, operation outside of design limits, improper repair, or unauthorized modification. This WARRANTY is VOID if the unit shows evidence of having been tampered with or shows evidence of having been damaged as a result of excessive corrosion; or current, heat, moisture or vibration; improper specification; misapplication; misuse or other operating conditions outside of OMEGA's control. Components in which wear is not warranted, include but are not limited to contact points, fuses, and triacs.

OMEGA is pleased to offer suggestions on the use of its various products. However, OMEGA neither assumes responsibility for any omissions or errors nor assumes liability for any damages that result from the use of its products in accordance with information provided by OMEGA, either verbal or written. OMEGA warrants only that the parts manufactured by the company will be as specified and free of defects. OMEGA MAKES NO OTHER WARRANTIES OR REPRESENTATIONS OF ANY KIND WHATSOEVER, EXPRESSED OR IMPLIED, EXCEPT THAT OF TITLE, AND ALL IMPLIED WARRANTIES INCLUDING ANY WARRANTY OF MERCHANTABILITY AND FITNESS FOR A PARTICULAR PURPOSE ARE HEREBY DISCLAIMED. LIMITATION OF LIABILITY: The remedies of purchaser set forth herein are exclusive, and the total liability of OMEGA with respect to this order, whether based on contract, warranty, negligence, indemnification, strict liability or otherwise, shall not exceed the purchase price of the component upon which liability is based. In no event shall OMEGA be liable for consequential, incidental or special damages.

CONDITIONS: Equipment sold by OMEGA is not intended to be used, nor shall it be used: (1) as a "Basic Component" under 10 CFR 21 (NRC), used in or with any nuclear installation or activity; or (2) in medical applications or used on humans. Should any Product(s) be used in or with any nuclear installation or activity, medical application, used on humans, or misused in any way, OMEGA assumes no responsibility as set forth in our basic WARRANTY/DISCLAIMER language, and, additionally, purchaser will indemnify OMEGA and hold OMEGA harmless from any liability or damage whatsoever arising out of the use of the Product(s) in such a manner.

RETURN REQUESTS/INQUIRIES

Direct all warranty and repair requests/inquiries to the OMEGA Customer Service Department. BEFORE RETURNING ANY PRODUCT(S) TO OMEGA, PURCHASER MUST OBTAIN AN AUTHORIZED RETURN (AR) NUMBER FROM OMEGA'S CUSTOMER SERVICE DEPARTMENT (IN ORDER TO AVOID PROCESSING DELAYS). The assigned AR number should then be marked on the outside of the return package and on any correspondence.

The purchaser is responsible for shipping charges, freight, insurance and proper packaging to prevent breakage in transit.

FOR **WARRANTY** RETURNS, please have the following information available BEFORE contacting OMEGA:

1. Purchase Order number under which the product was PURCHASED,
2. Model and serial number of the product under warranty, and
3. Repair instructions and/or specific problems relative to the product.

FOR **NON-WARRANTY** REPAIRS, consult OMEGA for current repair charges. Have the following information available BEFORE contacting OMEGA:

1. Purchase Order number to cover the COST of the repair,
2. Model and serial number of the product, and
3. Repair instructions and/or specific problems relative to the product.

OMEGA's policy is to make running changes, not model changes, whenever an improvement is possible. This affords our customers the latest in technology and engineering.

OMEGA is a registered trademark of OMEGA ENGINEERING, INC.

© Copyright 2005 OMEGA ENGINEERING, INC. All rights reserved. This document may not be copied, photocopied, reproduced, translated, or reduced to any electronic medium or machine-readable form, in whole or in part, without the prior written consent of OMEGA ENGINEERING, INC.

Where Do I Find Everything I Need for Process Measurement and Control? **OMEGA...Of Course!** *Shop online at omega.com*

TEMPERATURE

- ☑ Thermocouple, RTD & Thermistor Probes, Connectors, Panels & Assemblies
- ☑ Wire: Thermocouple, RTD & Thermistor
- ☑ Calibrators & Ice Point References
- ☑ Recorders, Controllers & Process Monitors
- ☑ Infrared Pyrometers

PRESSURE, STRAIN AND FORCE

- ☑ Transducers & Strain Gages
- ☑ Load Cells & Pressure Gages
- ☑ Displacement Transducers
- ☑ Instrumentation & Accessories

FLOW/LEVEL

- ☑ Rotameters, Gas Mass Flowmeters & Flow Computers
- ☑ Air Velocity Indicators
- ☑ Turbine/Paddlewheel Systems
- ☑ Totalizers & Batch Controllers

pH/CONDUCTIVITY

- ☑ pH Electrodes, Testers & Accessories
- ☑ Benchtop/Laboratory Meters
- ☑ Controllers, Calibrators, Simulators & Pumps
- ☑ Industrial pH & Conductivity Equipment

DATA ACQUISITION

- ☑ Data Acquisition & Engineering Software
- ☑ Communications-Based Acquisition Systems
- ☑ Plug-in Cards for Apple, IBM & Compatibles
- ☑ Datalogging Systems
- ☑ Recorders, Printers & Plotters

HEATERS

- ☑ Heating Cable
- ☑ Cartridge & Strip Heaters
- ☑ Immersion & Band Heaters
- ☑ Flexible Heaters
- ☑ Laboratory Heaters

ENVIRONMENTAL MONITORING AND CONTROL

- ☑ Metering & Control Instrumentation
- ☑ Refractometers
- ☑ Pumps & Tubing
- ☑ Air, Soil & Water Monitors
- ☑ Industrial Water & Wastewater Treatment
- ☑ pH, Conductivity & Dissolved Oxygen Instruments