

DESCRIPTION

The TFX-5000 transit time ultrasonic flow meter measures volumetric flow and heating/cooling energy rates in clean liquids as well as those with small amounts of suspended solids or aeration, such as surface water or raw sewage.

TFX-5000 flow and energy meters clamp onto the outside of pipes and do not contact the internal liquid.

BENEFITS

By clamping onto the outside of pipes, the meters have inherent advantages over other flow meter technologies, including:

- Reduced installation time and cost
- Non-invasive, non-contact measurement
- Continued operation during installation—no need to shut down the process
- No pressure head loss
- No moving parts to maintain or replace

FEATURES

- Large, bi-directional flow measuring range
- Data log up to 8 records
- Modbus[®] RTU or BACnet[®] MS/TP over EIA-485; BACnet/IP, EtherNet/IP, or Modbus TCP/IP; AquaCUE[®]/BEACON[®] connectivity
- Configure and troubleshoot over USB with SoloCUE
- Reynolds, ultrasonic speed and temperature compensation
- Large, easy-to-read graphical display
- Rugged, aluminum enclosure for a long service life in harsh environments

APPLICATIONS

The TFX-5000 meter is available in a variety of configurations that permit the user to select a meter with features suitable to meet particular application requirements.

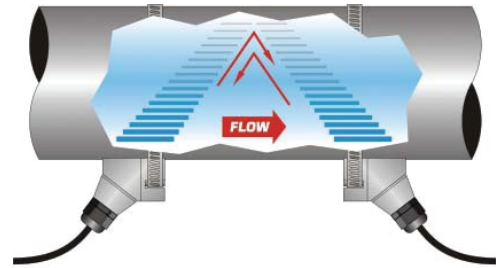
The TFX-5000 meter is available in two versions:

- A flow meter for water delivery, sewage, cooling water, water-glycol mixtures, alcohols and chemicals
- A heating/cooling energy flow meter used in conjunction with dual clamp-on RTDs for temperature measurement—ideal for hydronic process and HVAC applications



OPERATION

Transit time flow meters measure the time difference between the travel time of an ultrasound wave going *with* the fluid flow and *against* the fluid flow. The time difference is used to calculate the velocity of the fluid traveling in a closed-pipe system. The transducers used in transit time measurements operate alternately as transmitters and receivers. Transit time measurements are bi-directional and are most effective for fluids that have low concentrations of suspended solids and are sonically conductive.



An ultrasonic meter equipped with heat flow capabilities measures the rate and quantity of heat delivered or removed from devices such as heat exchangers. By measuring the volumetric flow rate of the heat exchanger liquid, the temperature at the inlet pipe and the temperature at the outlet pipe, the energy usage can be calculated.

SPECIFICATIONS

System

Liquid Types	Most clean liquids or liquids containing small amounts of suspended solids or gas bubbles	
Flow Accuracy	Medium and Large Pipes (RZ, NZ, WZ, HZ, LZ, YZ, JZ, KZ)	$\pm 0.5\% \pm 0.0049$ ft/s (0.015 m/s)
	Small Pipes (CA-CT, UZ)	1 in. (25 mm) and larger = $\pm 1\% \pm 0.03$ ft/s (0.009 m/s) 3/4 in. (19 mm) and smaller = $\pm 1\%$ of full scale
Repeatability	0.2% above 1.5 ft/s	
Velocity	Medium and Large Pipes	Up to 40 ft/s, depending on pipe and fluid
	Small Pipes	Up to 20 ft/s, depending on pipe and fluid
Certification and Compliance	General Safety (all models): cCSAus, CE, Pollution Degree 2, CE compliance to Low Voltage Directive, 2014/35/EU Hazardous Location transmitter and transducers: CSA-c-us Class I Division 2 Groups ABCD T4 Requires flexible conduit Not available with UZ, HZ or JZ and KZ (Easy Rail) transducers, Auxiliary Dry Contact card or units with AquaCUE/BEACON endpoints	

Transmitter

Power Options	24V DC/AC	9...28V DC @ 8 W max. or 20...26 AC 47...63 Hz @ 0.5 A max., 2 Amp slow-blow fuse, not field replaceable
	Mains AC	85...264V AC 47...63 Hz @ 24VA max. 1 Amp slow-blow fuse, manually field replaceable Over-Voltage Rating Category II (CAT II)
Display	Options	Display with keypad or no display/keypad
	Keypad	4-button navigation, keypad with tactile feedback; polyester film
	Display	128 × 64 pixel LED backlit graphical display; adjustable brightness and timeout; polycarbonate window
	Flow rate/total	8-digit
Enclosure	NEMA Type 4, IP67	
Construction	Aluminum construction; painted; wall, panel or pipe mounting; stainless steel fasteners and mounting hardware; EPDM gasket	
	Conduit Holes	(4) 1/2 in. NPT, M20 × 1.5 or 1/2 BSPP; cable glands available for NPT and M20
Environmental Ratings	Pollution Degree	2
	Altitude Restriction	Up to 2000 m (6561 ft)
	Ambient Temperature Range	-4...140° F (-20...60° C)
	Storage Temperature Range	-40...176° F (-40...80° C)
	Humidity	0...85%, non-condensing
Configuration	Via optional keypad or SoloCUE configuration software; SoloCUE available on DVD	
Units (Field-Selectable)	Velocity	feet/second, meters/second
	Volumetric total	US Gallons, Million Gallons, Imperial Gallons, Million Imperial Gallons, Acre-Feet, Liters, Hectoliters, Cubic Meters, Cubic Feet, Oil Barrels (42 gallons), Fluid Barrels (31.5 gallons), Imperial Fluid Barrels (36 imperial gallons), Pounds (Kilograms) and custom units
	Flow rate	Acre Feet/Day, Liters/Second, Liters/Minute, Liters/Hour, Cubic Meters/Second, Cubic Meters/Minute, Cubic Meters/Hour, Cubic Feet/Minute, Cubic Feet/Minute, Cubic Feet/Hour, Gallons/Second, Gallons/Minute, Gallons/Hour, Million Gallons/Day, Imperial Gallons/Second, Imperial Gallons/Minute, Imperial Gallons/Hour, Million Imperial Gallons/Day, Oil Barrels/Day, Fluid Barrels/Day, Imperial Fluid Barrels/Day and custom units
	Energy total (energy meters)	British Thermal Unit (Btu), Thousand Btu, Millions Btu, Kilocalories, Mega calories, Kilowatt-hour, Megawatt hour, Kilojoules, Mega joules, Ton-hour (Refrigeration)
	Heat/cooling rate (energy meters)	Btu/hour, Thousand Btu/hour, Millions Btu/hour, Ton (Refrigeration), Watts, Kilowatts, Megawatts, Kilojoules/hour, Mega joules/hour, Kilocalories/hour, Mega calories/hour

		Flow Meter	Energy Meter
Inputs and Outputs	0/4...20 mA output	One 16-bit, isolated, max 800 Ohms, internal or external power	Two 16-bit, isolated, max 800 Ohms, internal or external power
	Digital input	One 5...30V DC, isolated, externally or internally sourced, reset totalizer or alarm output	
	Digital output	Two selectable pulse, alarm, flow direction, sink isolated open collector, 5...30V DC, max. 50 mA externally or internally sourced	
		Three selectable pulse, frequency, alarm, flow direction, isolated open collector, 5...30V DC, externally or internally sourced	
		Frequency output: 50% duty cycle, 63...10k Hz maximum frequency	
	Pulse (totalizer) output: 5 kHz max. output, open collector, pulse width 5...500 ms programmable		
	Optional: Two dry contact output for alarm or flow direction 30V DC max., 5A max. (Ethernet not available with this option)		
RTD (energy only)	None	Two 2-wire, 3-wire or 4-wire Pt100/Pt1000 RTD inputs; Range of -40...200° C; Clamp-on resistor kits available	
Ports	Programming	USB 2.0 mini B connector for connection to a device with SoloCUE configuration software	
	EIA-485	Modbus RTU command set or BACnet MS/TP; Baud rates 9600, 14400, 19200, 38400, 57600, 76800, 115k; terminating resistor selectable	
	Ethernet	Optional 10/100 Base T RJ45, communication via Modbus TCP/IP, EtherNet/IP, or BACnet/IP with webserver	
	AquaCUE/BEACON	Connectivity to AquaCUE/BEACON endpoint (LTE cellular)	
Data Logging	Number of points	Up to 8 parameters per record. Selectable 1 second to 1 day Transfer logs via memory card	
	Real Time Clock	Backed up with a super capacitor, minimum of 32 days of data retention without power; Requires no servicing	
	MicroSD card slot	8 GB card, included with transmitter	
Alarms	Records 150 previous alarms, warnings or errors		
Languages	English		
Security	Four levels: Read-only, Operator, Service and Admin; 6-digit passcode number; selectable auto logout		

Transducers

Model	Construction	Cable Length Max.	Pipe/Tubing Sizes	Flow Rate Max. GPM (LPM)	Pipe/Tubing Materials	Protection
CA-CT fixed small pipe	CPVC, Ultem®, Nylon cord grip Polyethylene cable jacket; -40...194° F (-40...90° C)	100 ft (30 m)	0.5...2 in. (12...50 mm)	190 (720)	See ²	NEMA 6/IP67
UZ ¹ adjustable small pipe	CPVC, Ultem, and anodized aluminum track system; Nickel-plated brass connector with Teflon insulation; -40...194° F (-40...90° C)	100 ft (30 m)	0.5...2 in. (12...50 mm)	190 (720)		NEMA 12
NZ ¹ standard pipe	PVC, Ultem®, Nylon cord grip Polyethylene cable jacket; -40...194° F (-40...90° C)	300 ft (90 m)	2.5...12 in. (DN65...DN300)	4000 (15,000)		NEMA 6/IP67
RZ ¹ standard pipe	PBT glass filled, Ultem®, Nylon cord grip; PVC cable jacket; -40...250° F (-40...121° C)	300 ft (90 m)	2.5...12 in. (DN65...DN300)	4000 (15,000)		NEMA 6/IP67
JZ, KZ ¹ standard pipe, integrated rail	PBT glass filled, Ultem, Nylon cord grip; PVC cable jacket; -40...250° F (-40...121° C)	300 ft (90 m)	2.5...6 in. (DN65...DN150) 2.5...12 in. (DN65...DN300)	4000 (15,000)		NEMA 6/IP67
WZ ¹ standard pipe, submersible	CPVC, Ultem, Nylon cord grip Polyethylene cable jacket; -40...194° F (-40...90° C)	300 ft (90 m)	2.5...12 in. (DN65...DN300)	4000 (15,000)		NEMA 6P/IP68
HZ ¹ high temperature	PTFE, Vespel, Nickel-plated brass cord grip; PFA cable jacket; -40...350° F (-40...176° C)	300 ft (90 m)	2.5...12 in. (DN65...DN300)	4000 (15,000)		NEMA 6/IP67
LZ ¹ large pipe	CPVC, Ultem, Nylon cord grip Polyethylene cable jacket; -40...194° F (-40...90° C)	300 ft (90 m)	8...48 in. (DN200...DN1200) ^{3,4}	33,000 (125,000)		NEMA 6/IP67
YZ ¹ large pipe, submersible	CPVC, Ultem, Nylon cord grip Polyethylene cable jacket; -40...194° F (-40...90° C)	300 ft (90 m)	8...48 in. (DN200...DN1200) ^{3,4}	33,000 (125,000)		NEMA 6/IP68

¹ Recommendations based on unlined, new pipes with water. Recommended pipe or tubing sizes vary with pipe conditions and fluid.

² PVC, CPVC, HDPE, PTFE, PDVF, stainless steel, ductile iron, aluminum, brass naval, carbon steel copper.

³ Large pipe transducers are recommended for 8...12 in. pipes if normal velocity is expected to be greater than 12 ft/s (3.6 m/s).

⁴ Consult factory for larger pipe sizes.

RTD Kits

Part Number	Description	Installation	RTD Type	Construction	Temperature Range
68996-001	RTD matched pair; 15 ft (4.5 m) cable	Pipe clamp, surface mount, IP54	Pt 1000, Class A	Aluminum body, silicone cable jacket	-58...356° F (14.4...180° C)
68996-002	RTD matched pair; 50 ft (15 m) cable				
68996-003	RTD matched pair; 100 ft (30 m) cable				

Data Logging Storage

Part Number	Description
69032-001	MicroSD card, industrial grade, 8 GB

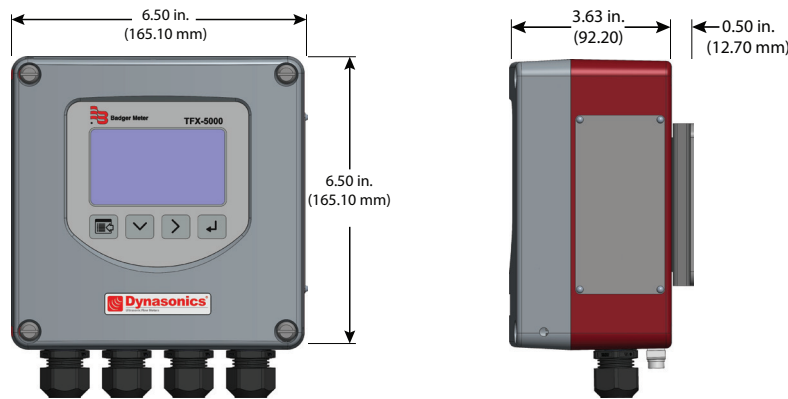
SoloCUE Flow Device Manager Software

The flow meter *may* be programmed through the keypad or with SoloCUE software. If the meter is ordered without a display/keypad, the flow meter *must* be programmed with SoloCUE software. The software is used to configure, calibrate and communicate with TFX-5000 meters. Additionally, it has numerous troubleshooting tools to make diagnosing and correcting installation problems easier.

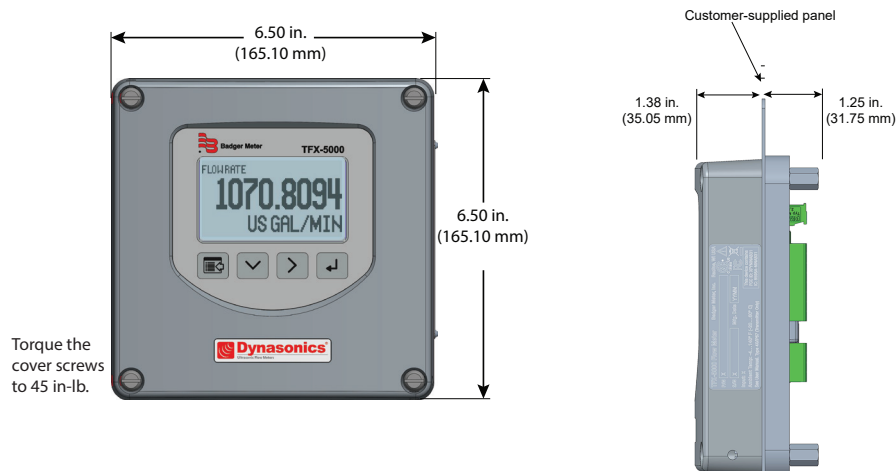
SoloCUE	Used to configure, calibrate and troubleshoot flow meters and control valves; Software is compatible with Windows 7, 8, 10
USB Cable	RC820648 USB 2.0 mini B connector to A connector, shielded

DIMENSIONS

Remote System Enclosure



Panel Mount Enclosure

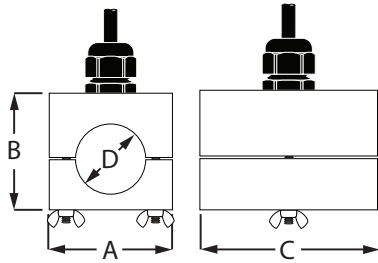


Consult factory for part number selection.

Transducers

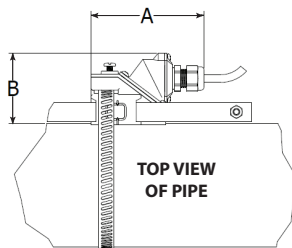
Fixed Small Pipe

Pipes and Tubing 1/2...2 in. (12...50 mm)



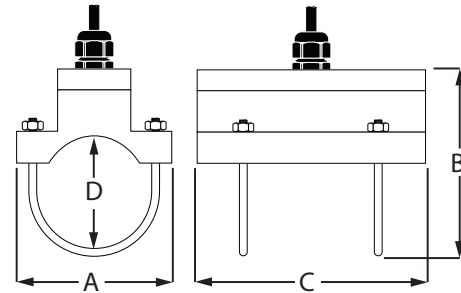
RZ

Pipes Larger than 2 in. (50 mm)



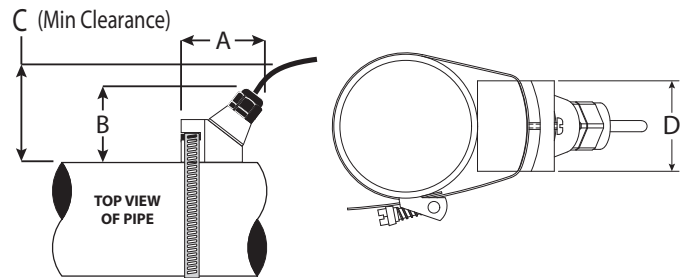
Fixed Small Pipe U-Bolt Connections CF, CL

ANSI/DN and Copper 2 in. (50 mm) Models



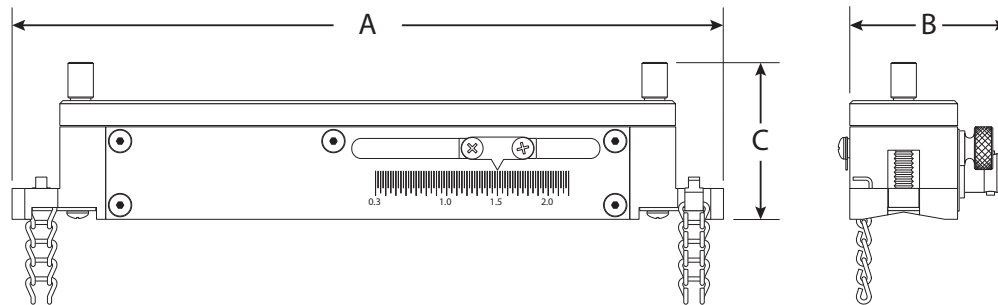
NZ, WZ, HZ, LZ, YZ

Pipes Larger than 2 in. (50 mm)

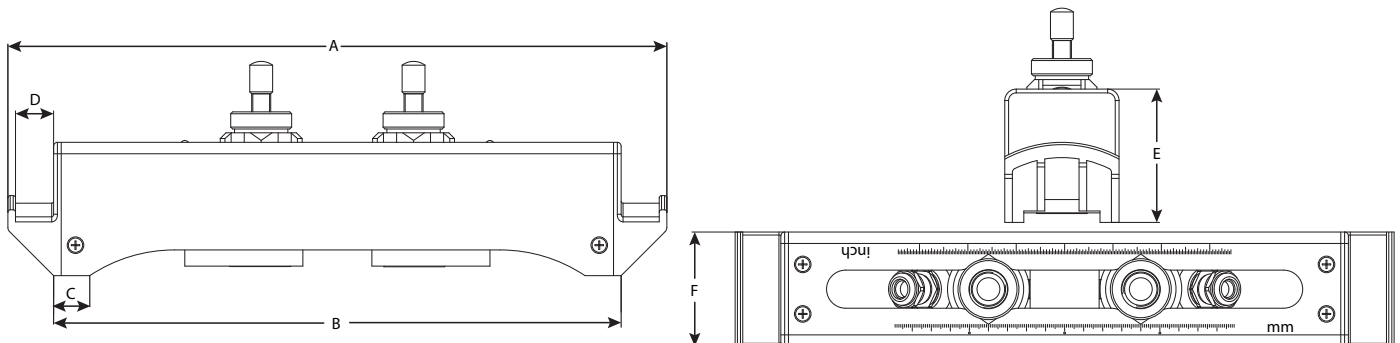


UZ

Adjustable Small Pipe



Easy Rail (JZ, KZ)



	RZ	NZ, WZ	HZ	LZ, YZ	UZ	JZ	KZ
A	3.75 in. (95 mm)	2.95 in. (74.9 mm)	2.95 in. (74.9 mm)	3.40 in. (86.4 mm)	7 in. (178 mm)	13.62 in. (345.95 mm)	19.92 in. (505.97 mm)
B	2.35 in. (60 mm)	2.75 in. (69.8 mm)	2.75 in. (69.8 mm)	2.94 in. (74.7 mm)	1.6 in. (42 mm)	11.73 in. (297.94 mm)	18.03 in. (457.96 mm)
C	—	3.00 in. (76.2 mm)	3.00 in. (76.2 mm)	3.20 in. (81.3 mm)	1.5 in. (39 mm)	0.75 in. (19.05 mm)	0.75 in. (19.05 mm)
D	2.19 in. (56 mm)	1.70 in. (43.2 mm)	1.71 in. (43.4 mm)	2.50 in. (63.5 mm)	—	0.79 in. (20.06 mm)	0.79 in. (20.06 mm)
E	—	—	—	—	—	2.76 in. (70.10 mm)	2.76 in. (70.10 mm)
F	—	—	—	—	—	2.36 in. (59.94 mm)	2.36 in. (59.94 mm)

PART NUMBER CONSTRUCTION

Part Number Construction for TFX-5000 Flow Meters for Pipes 2 in. and Smaller

	[DQ]	[G]	[]	[]	[]	[]	[]	[]	[]	[XX]	[]	[]	[]
Model													
TFX-5000 Ultrasonic Clamp-On Meter	DQ												
Certification													
General Area US/Canada, CE	G												
Transducer Type¹													
1/2 inch ANSI Pipe													CA
3/4 inch ANSI Pipe													CB
1 inch ANSI Pipe													CC
1-1/4 inch ANSI Pipe													CD
1-1/2 inch ANSI Pipe													CE
2 inch ANSI Pipe													CF
1/2 inch Copper Tube													CG
3/4 inch Copper Tube													CH
1 inch Copper Tube													CT
1-1/4 inch Copper Tube													CJ
1-1/2 inch Copper Tube													CK
2 inch Copper Tube													CL
Small pipe, universal (not available with conduit)													UZ
Transmitter Type													
110/220V AC Remote Mounted													R
24V DC/AC Remote Mounted													B
Display													
Display and Keypad													S
No Display/Keypad													W
Remote Cable Length													
15 feet (4.5 m)													AC
30 feet (9 m)													AF
50 feet (15 m)													AK
75 feet (23 m)													AR
100 feet (30 m)													BW
Conduit Type and Length (Conduit length is less than or equal to cable length)													
None													WW
5 feet (1.5 m)													AA
15 feet (4.5 m)													AC
30 feet (9 m)													AF
50 feet (15 m)													AK
75 feet (23 m)													AR
100 feet (30 m)													BW
Hardware													
1/2 in. NPT Threads, Poly cable glands													S
1/2 in. NPT Threads, Nickel Plated Brass cable glands													T
1/2 in. NPT Threads, no cable glands													N
M20 Threads, Poly cable glands													C
M20 Threads, Nickel Plated Brass cable glands													D
M20 Threads, no cable glands													A
Endpoint Wiring Method													
None													XX
Communication/Output													
Standard Output (Modbus RTU or BACnet MS/TP field selectable)													S
Standard Output plus Modbus TCP Ethernet													T
Standard Output plus EtherNet/IP													U
Standard Output plus BACnet/IP Ethernet													V
Standard Output plus Aux Output													9
Units of Measure Totalizer/Flow Rate													
Gallons/gallons per minute (field selectable, additional options available)													G
Testing & Tagging													
Factory Calibrated													F
Factory Calibrated/Stainless Steel Tag													S

¹Stainless steel tube 1/2...2 in. options are available.

Part Number Construction for TFX-5000 Flow Meters for Pipes 2 in. and Smaller for Hazardous Locations

[DQ] - [B] - [] - [] - [] - [] - [] - [] - [XX] - [] - [] - []

Model

TFX-5000 Ultrasonic Clamp-On Meter

DQ

Certification

Hazardous Location, Class I, Division 2

B

Transducer Type ¹

- 1/2 inch ANSI Pipe
- 3/4 inch ANSI Pipe
- 1 inch ANSI Pipe
- 1-1/4 inch ANSI Pipe
- 1-1/2 inch ANSI Pipe
- 2 inch ANSI Pipe
- 1/2 inch Copper Tube
- 3/4 inch Copper Tube
- 1 inch Copper Tube
- 1-1/4 inch Copper Tube
- 1-1/2 inch Copper Tube
- 2 inch Copper Tube

- CA
- CB
- CC
- CD
- CE
- CF
- CG
- CH
- CT
- CJ
- CK
- CL

Transmitter Type

- 110/220V AC Remote Mounted
- 24V DC/AC Remote Mounted

- R
- B

Display

- Display and Keypad
- No Display/Keypad

- S
- W

Remote Cable/Conduit Length ²

- 15 feet (4.5 m)
- 30 feet (9 m)
- 50 feet (15 m)
- 75 feet (23 m)
- 100 feet (30 m)

- AC AC
- AF AF
- AK AK
- AR AR
- BW BW

Hardware

- 1/2 in. NPT Threads, Poly cable glands
- 1/2 in. NPT Threads, Nickel Plated Brass cable glands
- 1/2 in. NPT Threads, no cable glands
- M20 Threads, Poly cable glands
- M20 Threads, Nickel Plated Brass cable glands
- M20 Threads, no cable glands

- S
- T
- N
- C
- D
- A

Endpoint Wiring Method

None

XX

Communication/Output

- Standard Output (Modbus RTU or BACnet MS/TP field selectable)
- Standard Output plus Modbus TCP Ethernet
- Standard Output plus EtherNet/IP
- Standard Output plus BACnet/IP Ethernet

- S
- T
- U
- V

Units of Measure Totalizer/Flow Rate

Gallons/gallons per minute (field selectable, additional options available)

G

Testing & Tagging

- Factory Calibrated
- Factory Calibrated/Stainless Steel Tag

- F
- S

¹Stainless steel tube 1/2...2 in. options are available.

² For hazardous location units, Remote Cable and Conduit Length codes must match.

Part Number Construction for TFX-5000 Flow Meters for Pipes Larger than 2 in.

	DQ	G									XX			
Model														
TFX-5000 Ultrasonic Clamp-On Meter	DQ													
Certification														
General Area US/Canada, CE	G													
Transducer Type														
Medium pipe, 2.5 in. (65 mm) or larger	RZ													
Medium pipe, submersible, 2.5 in. (65 mm) or larger ¹	WZ													
2.5...6 inches (65...150 mm) Easy Rail (not available with conduit)	JZ													
2.5...12 inches (65...300 mm) Easy Rail (not available with conduit)	KZ													
Medium pipe, high temperature (not available with conduit)	HZ													
Large pipe, 8 in. (200 mm) or larger	LZ													
Large pipe, submersible, 8 in. (200 mm) or larger ¹	YZ													
Transmitter Type														
110/220V AC Remote Mounted	R													
24V DC/AC Remote Mounted	B													
Display														
Display and Keypad	S													
No Display/Keypad	W													
Remote Cable Length														
15 feet (4.5 m)	AC													
30 feet (9 m)	AF													
50 feet (15 m)	AK													
75 feet (23 m)	AR													
100 feet (30 m)	BW													
150 feet (46 m)	BK													
200 feet (61 m)	DW													
250 feet (76 m)	DK													
300 feet (90 m)	EW													
Conduit Type and Length (Conduit length is less than or equal to cable length.)														
None	WW													
5 feet (1.5 m)	AA													
15 feet (4.5 m)	AC													
30 feet (9 m)	AF													
50 feet (15 m)	AK													
75 feet (23 m)	AR													
100 feet (30 m)	BW													
150 feet (46 m)	BK													
200 feet (61 m)	DW													
250 feet (76 m)	DK													
300 feet (90 m)	EW													
Hardware														
1/2 in. NPT Threads, Poly cable glands	S													
1/2 in. NPT Threads, Nickel Plated Brass cable glands	T													
1/2 in. NPT Threads, no cable glands	N													
M20 Threads, Poly cable glands	C													
M20 Threads, Nickel Plated Brass cable glands	D													
M20 Threads, no cable glands	A													
Endpoint Wiring Method														
None	XX													
Communication/Output														
Standard Output (Modbus RTU or BACnet MS/TP field selectable)	S													
Standard Output plus Modbus TCP Ethernet	T													
Standard Output plus EtherNet/IP	U													
Standard Output plus BACnet/IP Ethernet	V													
Standard Output plus Aux Output	9													
Units of Measure Totalizer/Flow Rate														
Gallons/gallons per minute (field selectable, additional options available)	G													
Testing & Tagging														
Factory Calibrated	F													
Factory Calibrated/Stainless Steel Tag	S													

¹ Submersible transducer cables use two conduit openings.

Part Number Construction for TFX-5000 Flow Meters for Pipes Larger than 2 in. for Hazardous Locations

[DQ] - [B] - [] - [] - [] - [] - [] - [] - [] - [XX] - [] - [] []

Model		DQ																		
TFX-5000 Ultrasonic Clamp-On Meter																				
Certification																				
Hazardous Location, Class I, Division 2		B																		
Transducer Type																				
Medium pipe, 2.5 in. (65 mm) or larger																				
Medium pipe, submersible, 2.5 in. (65 mm) or larger ¹																				
Large pipe, 8 in. (200 mm) or larger																				
Large pipe, submersible, 8 in. (200 mm) or larger ¹																				
Transmitter Type																				
110/220V AC Remote Mounted																				R
24V DC/AC Remote Mounted																				B
Display																				
Standard																				S
No Display/Keypad																				W
Remote Cable/Conduit Length ²																				
15 feet (4.5 m)																				AC
30 feet (9 m)																				AF
50 feet (15 m)																				AK
75 feet (23 m)																				AR
100 feet (30 m)																				BW
150 feet (46 m)																				BK
200 feet (61 m)																				DW
250 feet (76 m)																				DK
300 feet (90 m)																				EW
Hardware																				
1/2 in. NPT Threads, Poly cable glands																				S
1/2 in. NPT Threads, Nickel Plated Brass cable glands																				T
1/2 in. NPT Threads, no cable glands																				N
M20 Threads, Poly cable glands																				C
M20 Threads, Nickel Plated Brass cable glands																				D
M20 Threads, no cable glands																				A
Endpoint Wiring Method																				
None																				XX
Communication/Output																				
Standard Output (Modbus RTU or BACnet MS/TP field selectable)																				S
Standard Output plus Modbus TCP Ethernet																				T
Standard Output plus EtherNet/IP																				U
Standard Output plus BACnet/IP Ethernet																				V
Units of Measure Totalizer/Flow Rate																				
Gallons/gallons per minute (field selectable, additional options available)																				G
Testing & Tagging																				
Factory Calibrated																				F
Factory Calibrated/Stainless Steel Tag																				S

¹ Submersible transducer cables use two conduit openings.

² For hazardous location units, Remote Cable and Conduit Length codes must match.

Control. Manage. Optimize.

Dynasonics, AquaCUE and SoloCUE are registered trademarks of Badger Meter, Inc. Other trademarks appearing in this document are the property of their respective entities. Due to continuous research, product improvements and enhancements, Badger Meter reserves the right to change product or system specifications without notice, except to the extent an outstanding contractual obligation exists. © 2019 Badger Meter, Inc. All rights reserved.

www.badgermeter.com

The Americas | Badger Meter | 4545 West Brown Deer Rd | PO Box 245036 | Milwaukee, WI 53224-9536 | 800-876-3837 | 414-355-0400
México | Badger Meter de las Americas, S.A. de C.V. | Pedro Luis Ogazón N°32 | Esq. Angelina N°24 | Colonia Guadalupe Inn | CP 01050 | México, DF | México | +52-55-5662-0882
Europe, Eastern Europe Branch Office (for Poland, Latvia, Lithuania, Estonia, Ukraine, Belarus) | Badger Meter Europe | ul. Korfantego 6 | 44-193 Knurów | Poland | +48-32-236-8787
Europe, Middle East and Africa | Badger Meter Europa GmbH | Nurtinger Str 76 | 72639 Neuffen | Germany | +49-7025-9208-0
Europe, Middle East Branch Office | Badger Meter Europe | PO Box 341442 | Dubai Silicon Oasis, Head Quarter Building, Wing C, Office #C209 | Dubai / UAE | +971-4-371 2503
Slovakia | Badger Meter Slovakia s.r.o. | Racianska 109/B | 831 02 Bratislava, Slovakia | +421-2-44 63 83 01
Asia Pacific | Badger Meter | 80 Marine Parade Rd | 19-07 Parkway Parade | Singapore 449269 | +65-63464836
Switzerland | Badger Meter Swiss AG | Mittelholzerstrasse 8 | 3006 Bern | Switzerland | +41-31-932 01 11